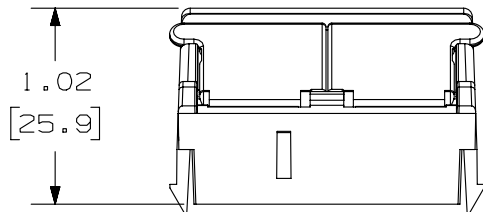
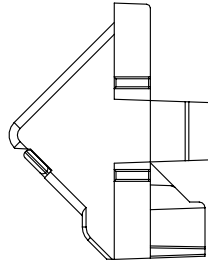
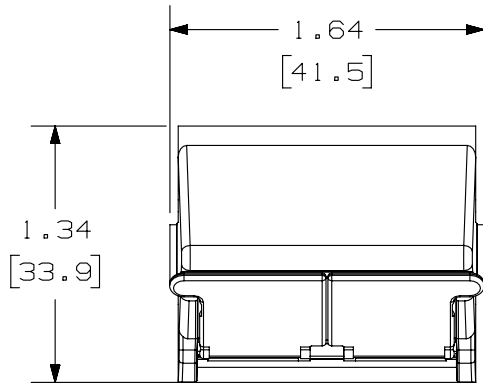


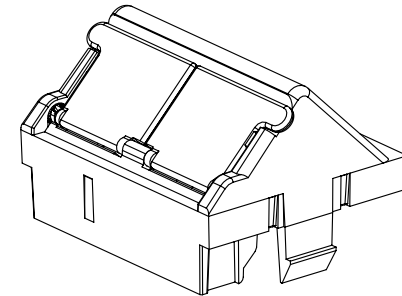
THIS COPY IS PROVIDED ON A RESTRICTED BASIS AND IS NOT TO BE USED IN ANY WAY DETRIMENTAL TO THE INTERESTS OF PANDUIT CORP.



PANDUIT P/N	WEIGHT
NKHS2S**-X	.06 LB/10 PCS (29.1 g/10 PCS)

NOTES:

1. SEE CURRENT CATALOG FOR ADDITIONAL PART NUMBER SUFFIXES TO INDICATE COLOR AND OR PACKAGE QUANTITY.
2. SEE CATALOG FOR COMPLETE LIST OF PARTS APPLICABLE FOR USE WITH THIS PART.
3. DIMENSIONS IN PARENTHESES ARE IN METRIC.



PART NUMBER		NKHS2S**-X	
TITLE			
NETKEY 2 POSITION SLOPED SHUTTERED INSERT			
CUSTOMER DRAWING			
ITEM REVISION NAME		M02463AA/06	
DATASET FILE NAME		M02463AA_DC02/06B	
UNLESS OTHERWISE SPECIFIED, DIMENSIONAL TOLERANCES ARE: IN [mm]		MATERIAL:	
.x ± .03 [.8]		ABS	
.xxx ± .010 [.3]		DRAWING NUMBER:	
ANGLES ±		02463-02	
THIRD ANGLE PROJECTION		SHT 1 OF 1	
DRAWN BY	DATE	CHK	SCALE
JSP	3-16-06	EB	NONE
REV	DATE	BY	CHK
1	5-19-14	MDJR	REFR
R	7-14-06	JSP	EB
APR	DESCRIPTION		ECN
	A. UPDATED TITLE BLOCK.		02463-02
	RELEASED TO PRODUCTION		02463-02

REV	DATE	BY	CHK	APR	DESCRIPTION	ECN
1	5-19-14	MDJR	REFR	JCK	A. UPDATED TITLE BLOCK.	02463-02
R	7-14-06	JSP	EB	EB	RELEASED TO PRODUCTION	02463-02

D101000DA/14

2

1

2

1