

THIS DRAWING IS UNPUBLISHED. RELEASED FOR PUBLICATION

© COPYRIGHT 20 BY TYCO ELECTRONICS CORPORATION. ALL RIGHTS RESERVED.

PART NUMBER	REV	TERMINATOR	FEED TYPE	DESCRIPTION
1426630-1	B	LEADMAKER	MECH POST FEED	CUTS CARRIER
1426630-2	B	BENCH	MECH PRE FEED	CUTS CARRIER
1426630-6	B	LEADMAKER	MECH POST FEED	CONTINUOUS CARRIER
7-1426630-1	B	LEADMAKER	MECH POST FEED	-1 AND SPARE PARTS
7-1426630-2	B	BENCH	MECH PRE FEED	-2 AND SPARE PARTS
7-1426630-6	B	LEADMAKER	MECH POST FEED	-6 AND SPARE PARTS
7-1426630-7	B	-	-	SPARE PARTS KIT

**CRIMP DATA INTERCONTEC TERMINAL TYCO CRIMP SPECS**

TERMINAL NAME: PIN CONTACT IMM DIA

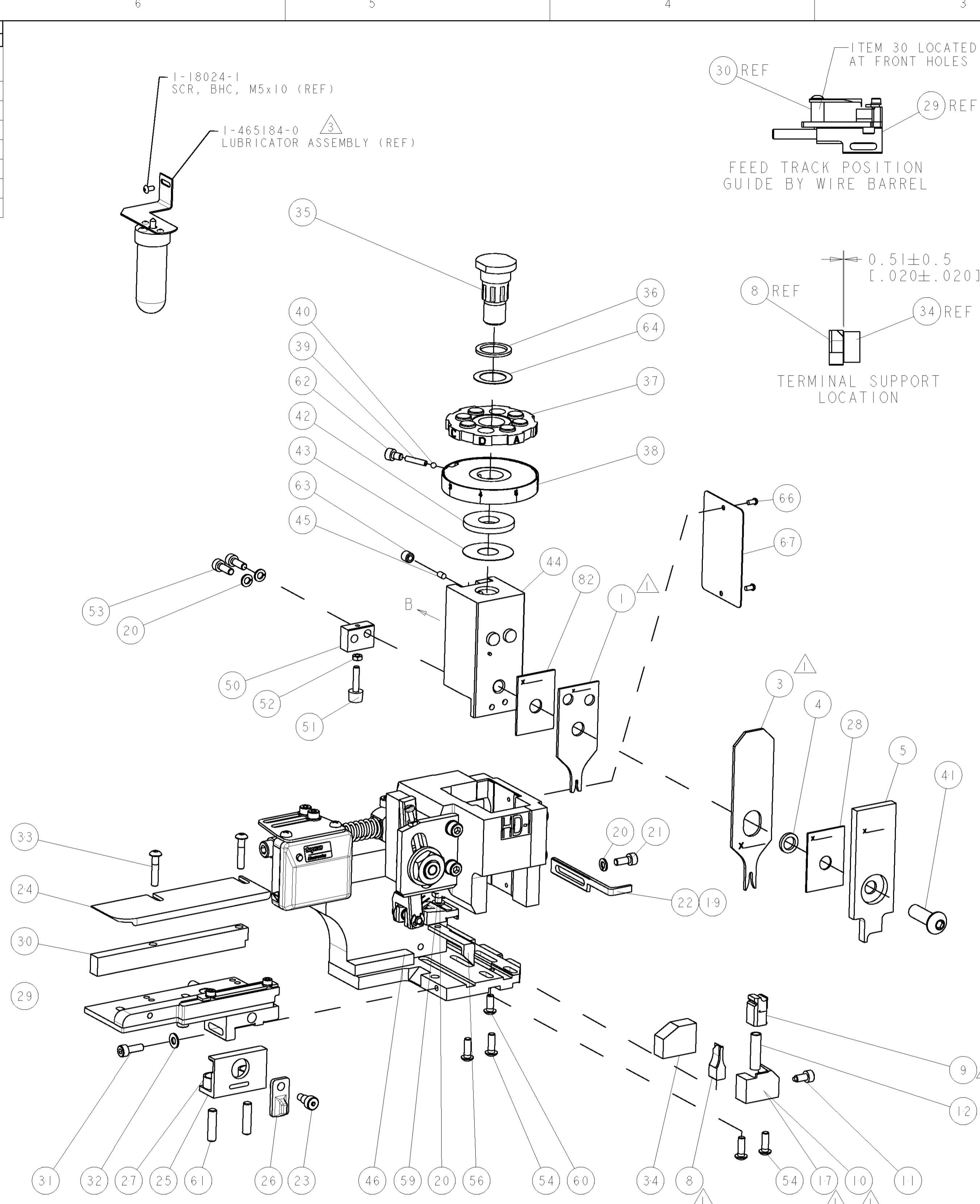
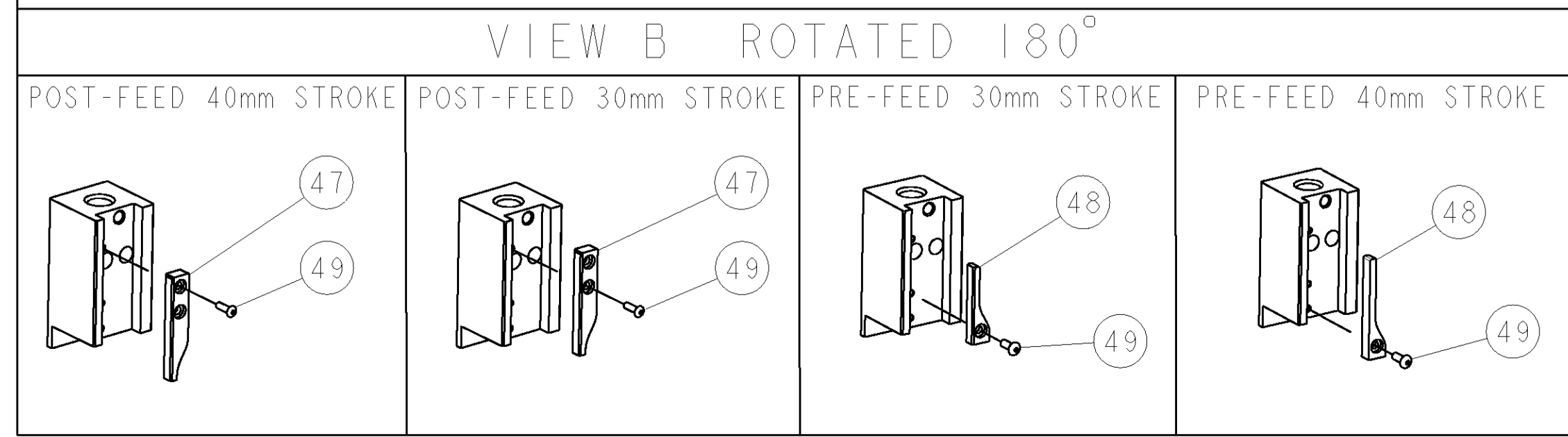
CRIMP	SIZE	TYPE	RANGE
WIRE	1.07 [1.042 IN]	F	0.20mm <sup>2</sup> -0.50mm <sup>2</sup>
INSUL	2.03 [1.080 IN]	O	1.20-2.00 [1.047-.079 IN]
WIRE STRIP LENGTH 2.70 [1.106 IN]		APPL INSTRUCTIONS 408-8322	
TERMINAL APPL SPEC	-	FEED	7.62 [3.000 IN]

**TERMINALS APPLIED**

TYCO TERM PN	MANUF'S TERM PN	-	-
1949228-1	61.172.80	-	-
1949229-1	60.200.80	-	-

WIRE SIZE	CRIMP HEIGHT	PINPN & LENGTH [IN]
0.50mm <sup>2</sup>	1.10 ± 0.05 [1.043 ± .002 IN]	8-354778-9 [1.2940]
0.35mm <sup>2</sup>	0.99 ± 0.05 [1.039 ± .002 IN]	9-354778-7 [1.2980]
0.20mm <sup>2</sup> or 0.25mm <sup>2</sup>	0.88 ± 0.05 [1.035 ± .002 IN]	354779-6 [1.3020]

- RECOMMENDED SPARE PARTS.
- GREASE RAM, CAM, CAM FOLLOWER AND FEED ROD LIGHTLY.
- CERTAIN TERMINALS REQUIRE LUBRICATION. REFER TO THE APPLICATOR INSTRUCTION SHEET FOR MORE INFORMATION.
- LUBRICATE DAILY PER THE APPLICATOR INSTRUCTION SHEET SUPPLIED WITH THE APPLICATOR.
- ALL CRIMP DATA CALCULATED BY TYCO ELECTRONICS UK LTD.



-77	-76	-72	-71	-6	-2	-1	PART NO		ITEM NO
-	-	-	-	-	-	-			84
-	-	-	-	-	-	-			83
-	-	-	-	-	-	-			82
-	-	-	-	-	-	-	1-455888-1	SPACER, CRIMPER	81
-	-	-	-	-	-	-			80
-	-	-	-	-	-	-			79
-	-	-	-	-	-	-			78
-	-	-	-	-	-	-			77
-	-	-	-	-	-	-			76
-	-	-	-	-	-	-			75
-	-	-	-	-	-	-			74
-77	-76	-72	-71	-6	-2	-1	PART NO	DESCRIPTION	ITEM NO

LOC A DIST 66

SET UP GAGE 458637-3

ITEM 30 LOCATED AT FRONT HOLES

FEED TRACK POSITION GUIDE BY WIRE BARREL

TERMINAL SUPPORT LOCATION

REV	DATE	BY	APPV	DESCRIPTION
A	23JAN2007	LJL	MC	SEE ECO-07-001710
B	13JUN2007	LJL	MC	SEE ECR-07-014104

QTY	REV	DATE	BY	APPV	DESCRIPTION	ITEM NO			
-	-	-	-	-	-	73			
-	-	-	-	-	-	72			
-	-	-	-	-	-	71			
-	-	-	-	-	-	70			
-	-	-	-	-	-	69			
-	-	-	-	-	-	68			
-	-	-	-	-	-	67			
-	-	-	-	-	-	66			
-	-	-	-	-	-	65			
-	-	-	-	-	-	64			
-	-	-	-	-	-	63			
-	-	-	-	-	-	62			
-	-	-	-	-	-	61			
-	-	-	-	-	-	60			
-	-	-	-	-	-	59			
-	-	-	-	-	-	58			
-	-	-	-	-	-	57			
-	-	-	-	-	-	56			
-	-	-	-	-	-	55			
-	-	-	-	-	-	54			
-	-	-	-	-	-	53			
-	-	-	-	-	-	52			
-	-	-	-	-	-	51			
-	-	-	-	-	-	50			
-	-	-	-	-	-	49			
-	-	-	-	-	-	48			
-	-	-	-	-	-	47			
-	-	-	-	-	-	46			
-	-	-	-	-	-	45			
-	-	-	-	-	-	44			
-	-	-	-	-	-	43			
-	-	-	-	-	-	42			
-	-	-	-	-	-	41			
-	-	-	-	-	-	40			
-	-	-	-	-	-	39			
-	-	-	-	-	-	38			
-	-	-	-	-	-	37			
-	-	-	-	-	-	36			
-	-	-	-	-	-	35			
-	-	-	-	-	-	34			
-	-	-	-	-	-	33			
-	-	-	-	-	-	32			
-	-	-	-	-	-	31			
-	-	-	-	-	-	30			
-	-	-	-	-	-	29			
-	-	-	-	-	-	28			
-	-	-	-	-	-	27			
-	-	-	-	-	-	26			
-	-	-	-	-	-	25			
-	-	-	-	-	-	24			
-	-	-	-	-	-	23			
-	-	-	-	-	-	22			
-	-	-	-	-	-	21			
-	-	-	-	-	-	20			
-	-	-	-	-	-	19			
-	-	-	-	-	-	18			
-	-	-	-	-	-	17			
-	-	-	-	-	-	16			
-	-	-	-	-	-	15			
-	-	-	-	-	-	14			
-	-	-	-	-	-	13			
-	-	-	-	-	-	12			
-	-	-	-	-	-	11			
-	-	-	-	-	-	10			
-	-	-	-	-	-	9			
-	-	-	-	-	-	8			
-	-	-	-	-	-	7			
-	-	-	-	-	-	6			
-	-	-	-	-	-	5			
-	-	-	-	-	-	4			
-	-	-	-	-	-	3			
-	-	-	-	-	-	2			
-	-	-	-	-	-	1			
-77	-76	-72	-71	-6	-2	-1	PART NO	DESCRIPTION	ITEM NO
-	-	-	-	-	-	-			84
-	-	-	-	-	-	-			83
-	-	-	-	-	-	-			82
-	-	-	-	-	-	-			81
-	-	-	-	-	-	-			80
-	-	-	-	-	-	-			79
-	-	-	-	-	-	-			78
-	-	-	-	-	-	-			77
-	-	-	-	-	-	-			76
-	-	-	-	-	-	-			75
-	-	-	-	-	-	-			74
-77	-76	-72	-71	-6	-2	-1	PART NO	DESCRIPTION	ITEM NO

MPROUSE 19DEC2006

MCLIFFORD 19DEC2006

**tyco** Tyco Electronics  
Harrisburg, PA 17105-3608

**Electronic**

NAME: SIDE FEED HDI APPLICATOR

SIZE: 00779 C-1426630

SCALE: 3:5 SHEET 1 OF 1 REV B