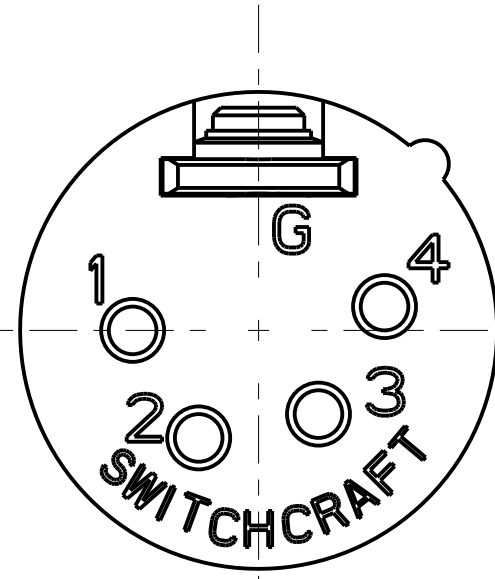
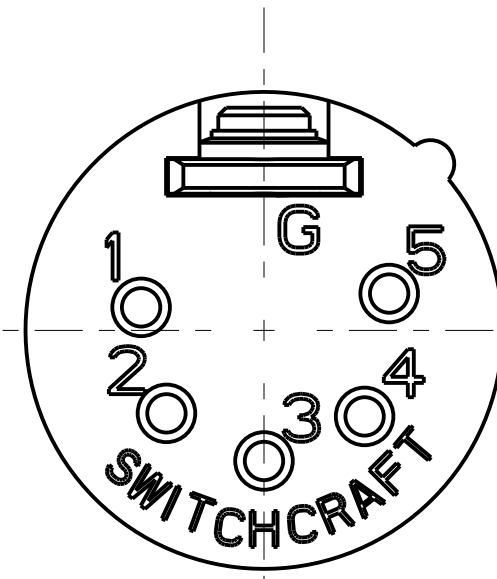


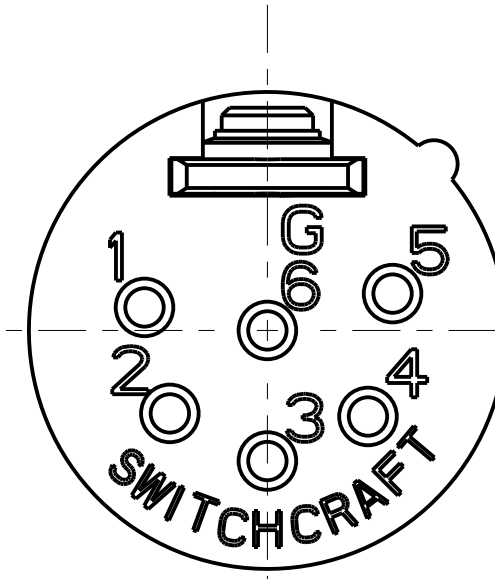
3 PIN



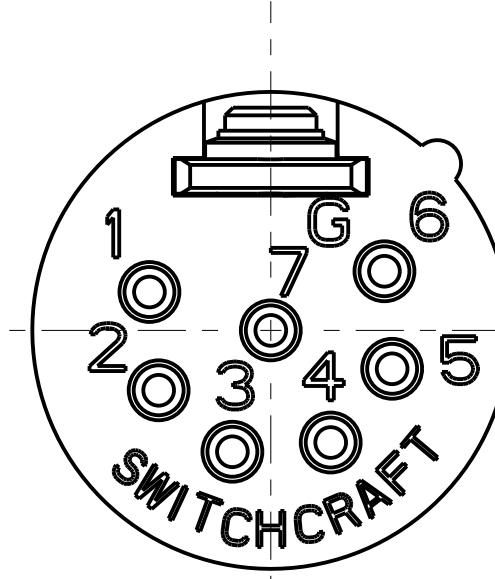
4 PIN



5 PIN



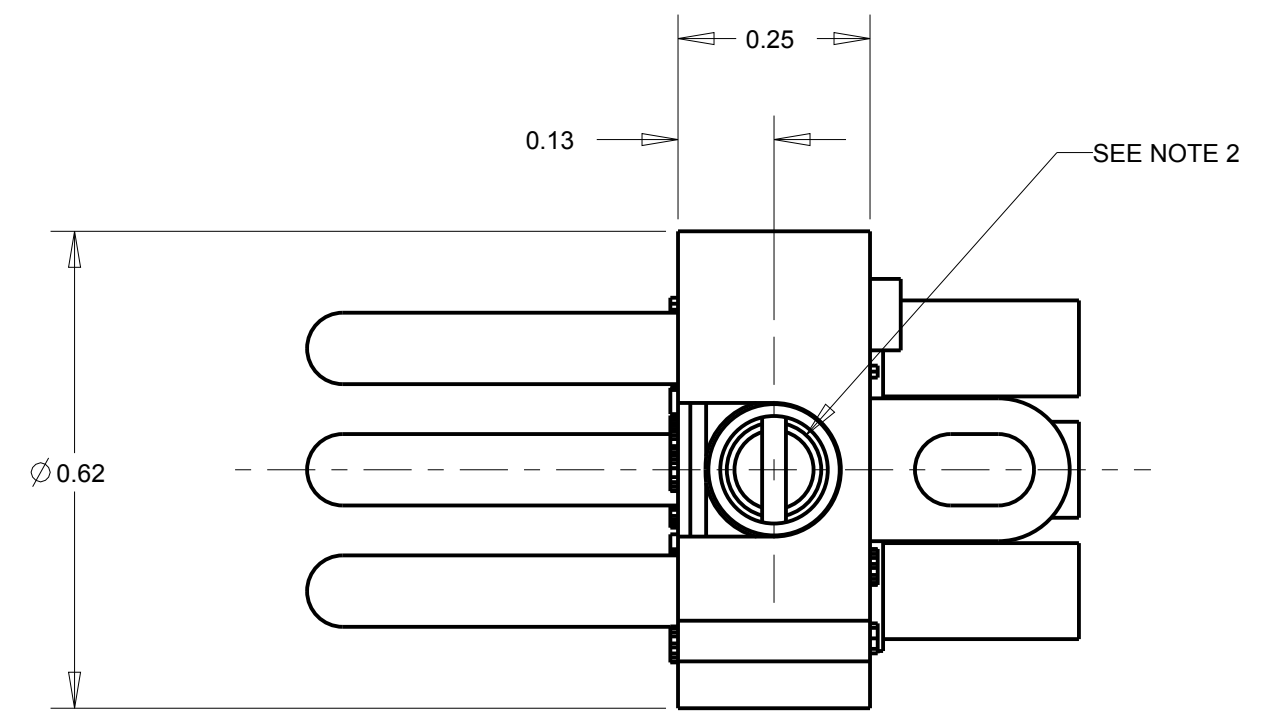
6 PIN



7 PIN

- NOTES:**
1. ALL DIMENSIONS REF. UNLESS OTHERWISE SPECIFIED.
 2. INSERT LOCKING HOLE MUST ACCEPT $\varnothing 0.123$ POST.
 3. KEYWAY ON 4,5,6, AND 7 PIN VERSIONS ONLY EXTENDS UP TO 0.125 FROM REAR SURFACE.

PRODUCT NO.	DIM "A"	DIM "B"
QG3M	1.01	0.27
QG4M	0.91	0.24
QG5M	0.92	0.24
QG6M	0.92	0.24
QG7M	0.82	0.24



STANDARD SERIES

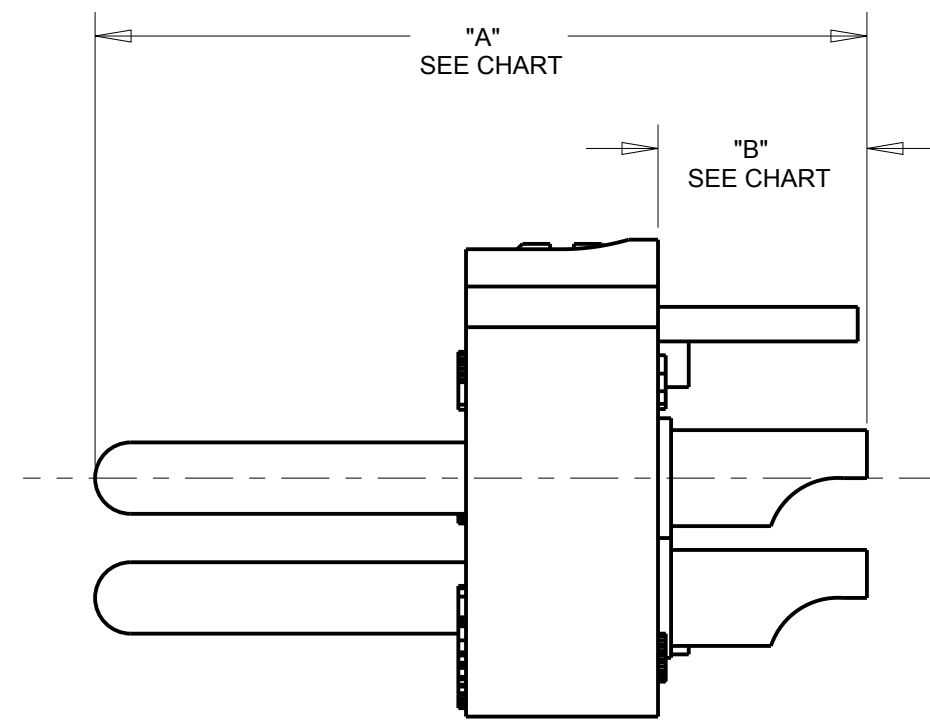
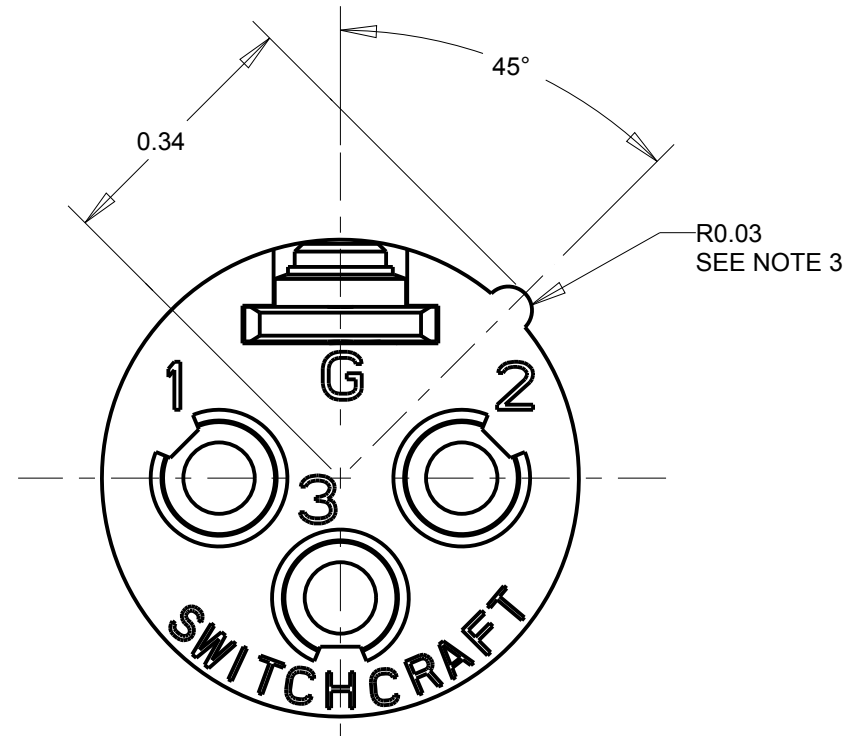
SCREW - STAINLESS STEEL
 SOLDER TERMINAL - BRASS, ELECTRO TIN PLATED
 INSULATOR - POLYESTER, GREEN (UL94V-0)
 CONTACT PIN - BRASS, SILVER PLATED

QG M

CONTACT PLATING
 BLANK = SILVER (STANDARD)
 AU = GOLD OVER NICKEL

HOUSING FINISH
 BLANK = NICKEL PLATE (STANDARD)
 B = BLACK

NO. OF CONTACTS:
 3 = 3 CONTACTS
 4 = 4 CONTACTS
 5 = 5 CONTACTS
 6 = 6 CONTACTS
 7 = 7 CONTACTS



PROFESSIONAL SERIES

SAME AS ABOVE EXCEPT
 CONTACT PIN - PHOSPHOR BRONZE, GOLD OVER NICKEL

QGP M

NO. OF CONTACTS:
 3 = 3 CONTACTS
 4 = 4 CONTACTS
 5 = 5 CONTACTS
 6 = 6 CONTACTS
 7 = 7 CONTACTS

CUSTOMER DRAWING

REVISIONS					STAR SYMBOL DENOTES CRITICAL DIMENSION		THIS DRAWING DESCRIBES A DESIGN CONSIDERED PROPRIETARY IN NATURE, DEVELOPED AND MANUFACTURED BY SWITCHCRAFT INC. AND IS RELEASED ON A CONFIDENTIAL BASIS FOR IDENTIFICATION PURPOSES ONLY.						
REV	ECO NUMBER	DATE	BY	APVD			SIZE	WIDTH	MULT	LBS/M	TEMPER		
N	27977	12-15-17	PC	TJK	UNLESS OTHERWISE SPECIFIED		FINISH		MATERIAL				
M	23067	1-5-00	JL	DG	1. ALL DIMENSIONS IN INCHES		SPEC No.		SPEC No.				
L	22838	10-1-99	JL	DG	-TWO PLACE DECIMALS ± 0.01		FIRST USED ON		SCALE				
K	22563	12-10-98	JL	EB	-THREE PLACE DECIMALS ± 0.005		DATE DRAWN		4:1				
J	22610	11-23-98	DA	EB	-ANGLES $\pm 1^\circ$		BY		APVD				
					-ALL DIA. CONCENTRIC WITHIN 0.005 T.I.R.		8-22-94		SG		8-29-94		
					2. FEATURES ON THE SAME CENTERLINE MUST BE ALIGNED WITHIN ± 0.002		NAME		PART No.			REV	
					3. REMOVE ALL BURRS		MALE QG INSERT SERIES		QG M SERIES			N	
					DO NOT SCALE DRAWING		NAME		PART No.			REV	
							MALE QG INSERT SERIES		QG M SERIES			N	