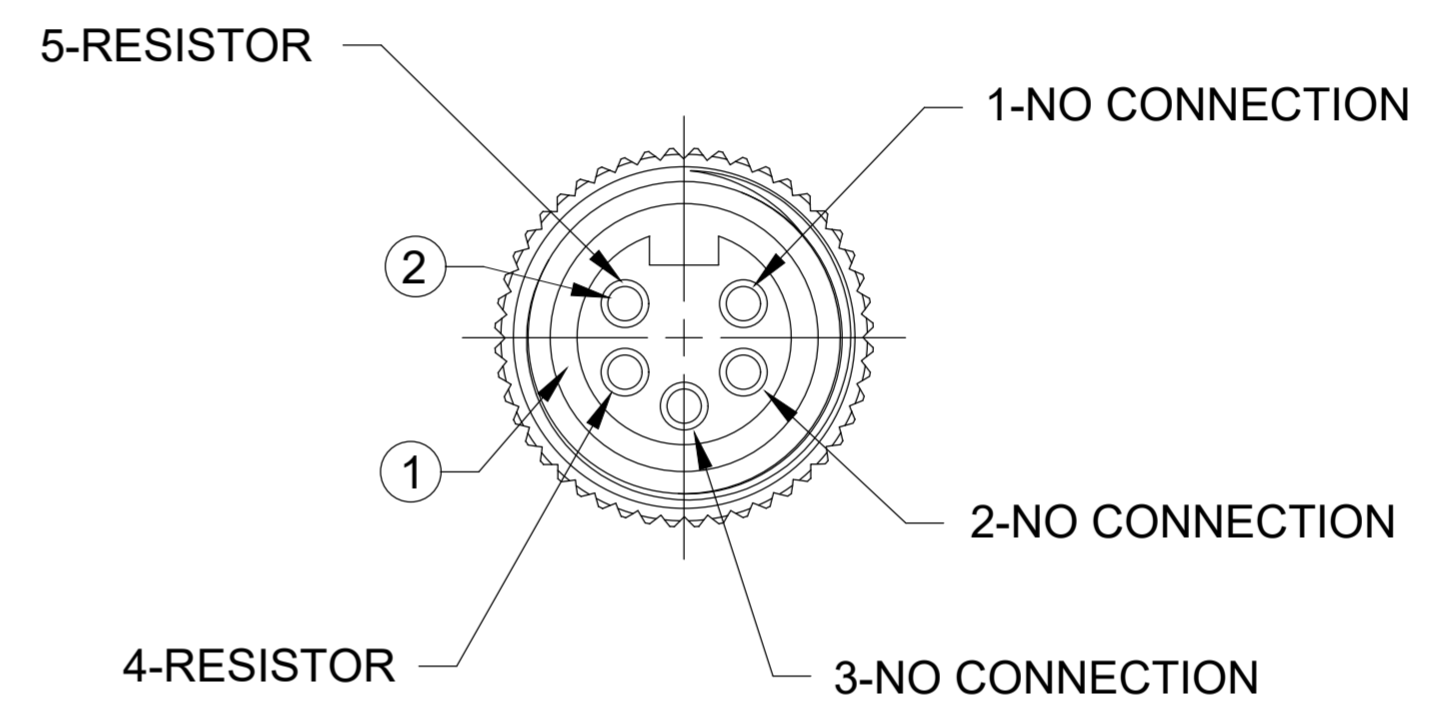
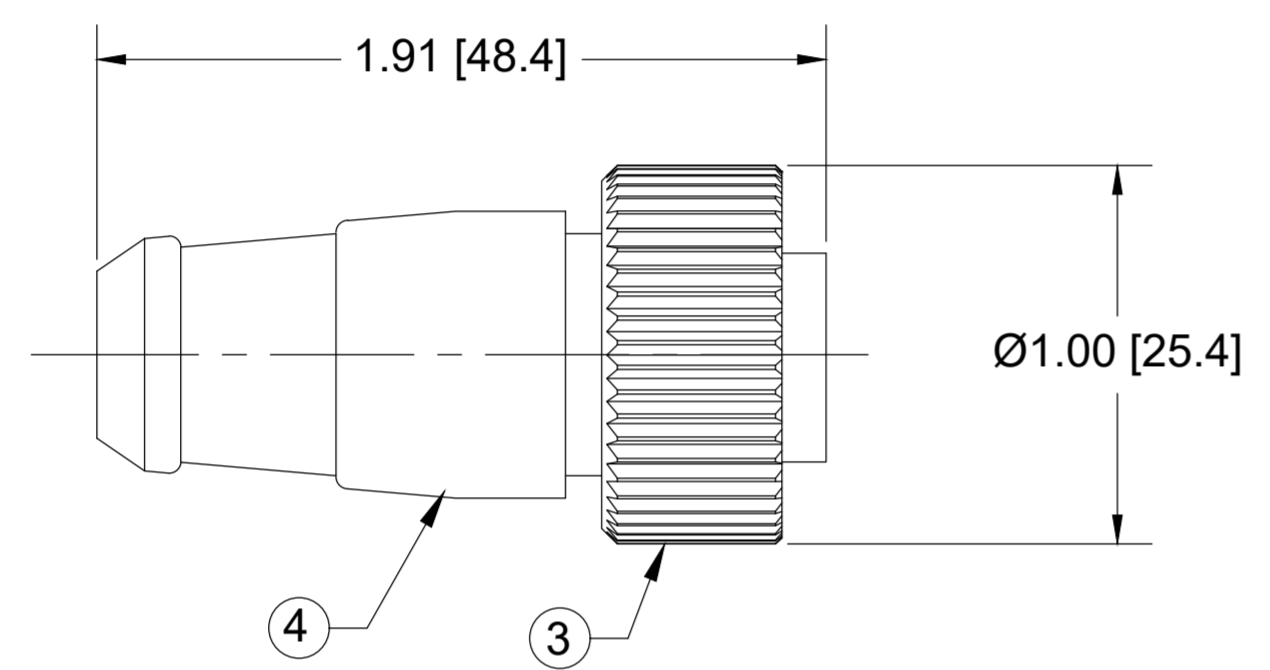
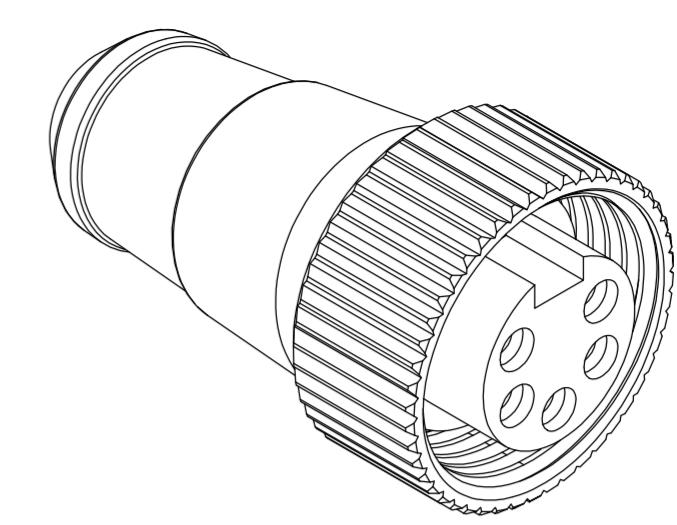


MATERIAL NUMBER	ENGINEERING NUMBER
1300390376	DN150



- NOTES:
- MATERIAL: AS NOTED
 - FINISH: AS NOTED
 - ELECTRICAL:
VOLTAGE: 50 VAC/VDC
CURRENT: 8 AMPS
 - TEMP RATING: 0°C TO +60°C
 - PROTECTION: IP67 (WHEN MATED)
 - COUPLING THREAD: 7/8"-16UN
 - ALL DIMENSIONS ARE FOR REFERENCE UNLESS TOLERANCED OR NOTED OTHERWISE

PRE-RELEASE
REFERENCE
USE ONLY

ITEM	COMPONENT	MATERIAL	FINISH
1	INSERT	TPE	GRAY
2	CONTACT SOCKET	COPPER ALLOY	GOLD OVER NICKEL
3	COUPLNG NUT	ZINC DIE CAST	BLACK E-COATED
4	OVERMOLD	TPE	GRAY
	RESISTOR	121 OHM 1% METAL FILM 1/4 WATT	

THIS DRAWING CONTAINS INFORMATION THAT IS PROPRIETARY TO MOLEX ELECTRONIC TECHNOLOGIES, LLC AND SHOULD NOT BE USED WITHOUT WRITTEN PERMISSION										
FUNCTIONAL SYMBOLS	DIMENSION UNITS	SCALE	CURRENT REV DESC: ITEM# 1 & 4 WERE PVC							
	INCH/MM	NTS	molex MINI-CHANGE TERMINATOR, A-SIZE, 5POLE, FEMALE, STRAIGHT, SINGLE KEY, 22AWG PRODUCT CUSTOMER DRAWING							
GENERAL TOLERANCES (UNLESS SPECIFIED)	mm	INCH								EC NO: 643513
	4 PLACES ±----	±----	DRWN: ABENJAMINLW	CHK'D: RSTONE	APPR: ----	INITIAL REVISION:	DRWN: LHARTMAN	APPR: JFMURPHY	SERIES 130039	DOCUMENT NUMBER SD-130039-014
DIVISIONAL SYMBOLS	3 PLACES ±----	±0.005	MATERIAL NUMBER SEE_CHART							
	2 PLACES ±0.13	±0.01	CUSTOMER GENERAL MARKET							
	1 PLACE ±0.25	±0.02	SHEET NUMBER 1 OF 1							
	0 PLACES ±----	±----								
	ANGULAR TOL ± 0.5 °									
	DRAFT WHERE APPLICABLE MUST REMAIN WITHIN DIMENSIONS		THIRD ANGLE PROJECTION	DRAWING C-SIZE	SERIES 130039	MATERIAL NUMBER SEE_CHART	CUSTOMER GENERAL MARKET	SHEET NUMBER 1 OF 1		