



MSM-508

8-port Industrial Ethernet Layer 2 Managed Switch

Features

- Automatic MDI/MDI-X crossover for plug-and-play
- Each port supports both 10/100 Mbps speed auto negotiation
- Full duplex IEEE 802.3x and half duplex backpressure flow control
- Power failure alarm by relay output
- Store-and-forward architecture
- Modbus remote monitoring
- Supports Modbus OPC Server
- Built-in Cyber-Ring redundant technique



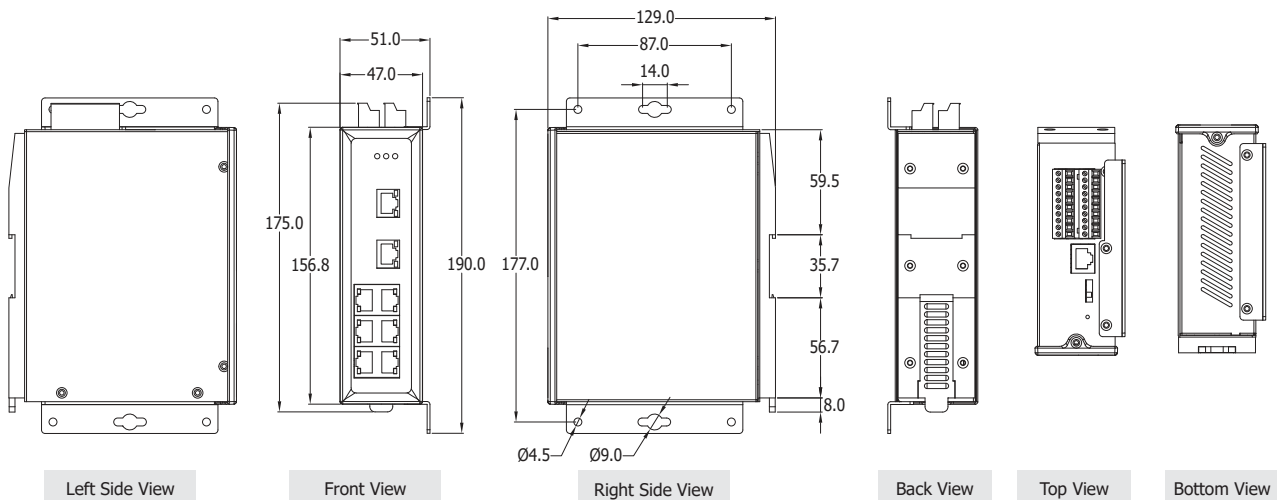
Introduction

The MSM-508 is an 8-port Industrial Ethernet (10/100 Base-TX) Layer 2 Managed Switch. MSM-508 supports 10/100M auto negotiation feature and auto MDI/MDI-X function. It can automatically switch the transmission speed (10 Mbps or 100 Mbps) for corresponding connections. The connectors of Ethernet port are shielded RJ-45. The shielded RJ-45 connectors offer a high reliability Ethernet environment for industrial control and automation.

It can be managed through RS-232 port via serial console or Ethernet port using telnet or Web browser. In addition, the switch supports a lot of powerful managed functions, such as 802.1Q Tag-based VLAN, Portbased VLAN, 802.1p QoS (Quality of Service), Port Trunking, Spanning Tree, Cable Testing and Port Mirroring. Built-in ICP DAS Cyber-Ring technique that enable multiple switches to be placed into a redundant ring. Typically the switch detects and recovers from a copper link failure within approximately 20 ms – for the majority of applications a seamless process. Modbus/TCP, Modbus/RTU and OPC supported, SCADA application can monitor status of Ethernet port with Modbus or OPC protocol.

MSM-508 provides two power inputs that can be connected simultaneously to live DC power sources. If one of the power inputs fails, the other live source acts as a backup to automatically support the it's power needs. And the relay output facility can deliver warning signal while power or network link failure.

Dimensions (Units: mm)



Left Side View

Front View

Right Side View

Back View

Top View

Bottom View

Specifications

| LED Indicators | |
|-----------------------------|--|
| Status | Power, 10/100M, Link/Act, Master |
| Ethernet | |
| Ports | 8 x RJ-45, 10/100Base-TX |
| Standards | IEEE 802.3, 802.3u and 802.3x |
| Processing Type | Store & forward, wire speed switching |
| MAC Table | 2048 |
| Memory Bandwidth | 3.2 Gbps |
| Frame Buffer Memory | 1 Mbit |
| Flow Control | IEEE 802.3x flow control, back pressure flow control |
| Protocol | VLAN, QoS, Port Trunk, SMTP, TELNET |
| Redundant Strategy | STP, Ring (ICP DAS) |
| Isolation | 1500 Vrms 1 minute |
| DIP Switch | Yes, Normal Run/Repair Mode |
| Digital Input | |
| Channels | 3 |
| Type | Wet Contact |
| ON Voltage Level | +19 VDC ~ +30 VDC |
| OFF Voltage Level | +11 VDC Max. |
| Digital Output | |
| Channels | 3 |
| Type | Open Collector |
| Sink/Source (NPN/PNP) | Sink (NPN) |
| Load Current | 30V/100 mA Max. |
| COM Ports | |
| Ports | 1 x RS-232 (Console) 1 x RS-485 |
| Power | |
| Reverse Polarity Protection | Yes |
| Input Range | +12 ~ +48 VDC Redundant Dual Inputs (Non-isolated) |
| Redundant Power Inputs | Yes |
| Consumption | 0.25 A @ 24 VDC |
| Alarm Output | Yes, Relay 2 A @ 30 VDC |
| Mechanical | |
| Casing | Metal |
| Dimensions (mm) | DIN-rail mounting: 47 x 175 x 129 (W x L x H) Wall mounting: 51 x 190 x 129 (W x L x H) |
| Installation | DIN-rail mounting or wall mounting |
| Ingress Protection Rating | IP30 |
| Environment | |
| Operating Temperature | -40 °C ~ +75 °C |
| Storage Temperature | -40 °C ~ +85 °C |
| Humidity | 10 ~ 90% RH, non-condensing |

Ordering Information

| | |
|-------------------|---|
| MSM-508 CR | 8-port Layer 2 Managed Switch with metal casing (RoHS) Includes CA-090510 Console Cable and 4SIX1K0000003 Wall mount |
|-------------------|---|