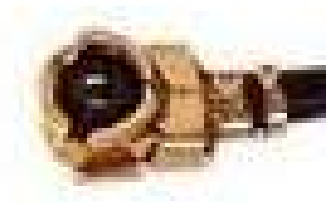
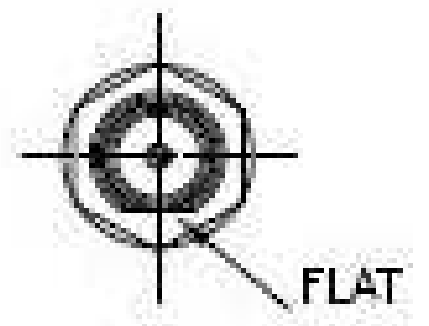
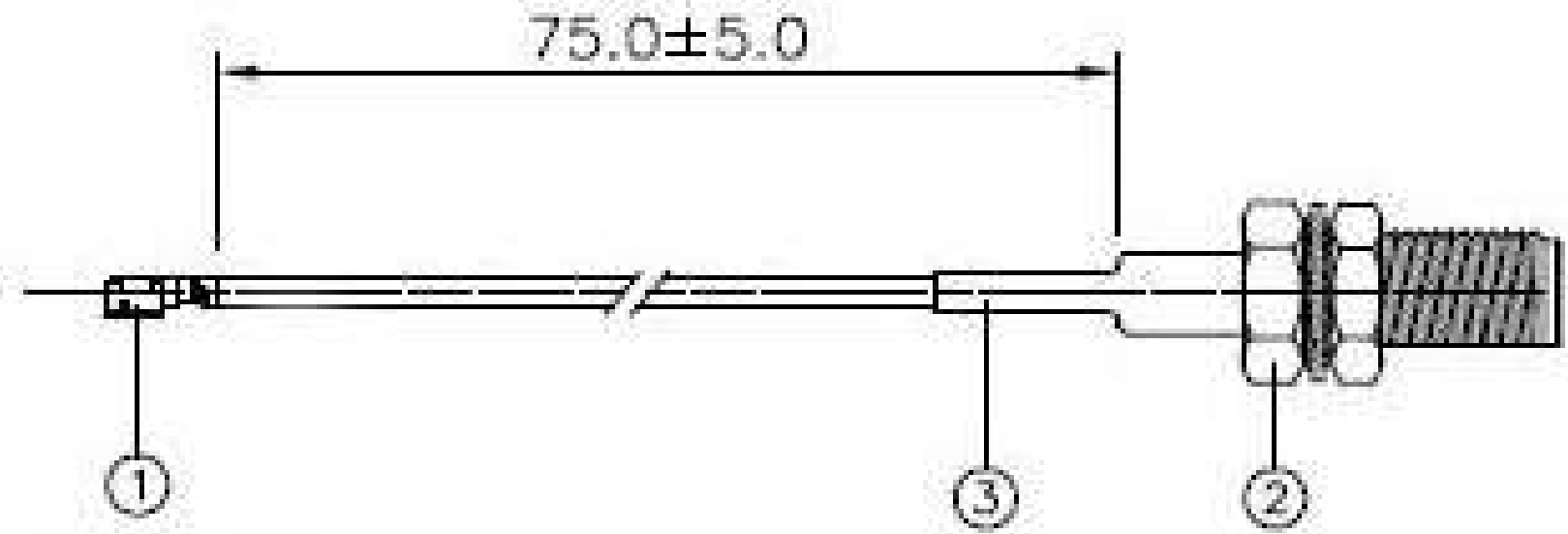
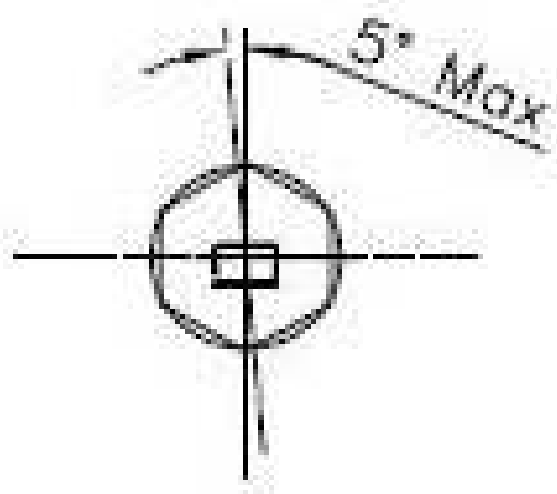


8 7 6 5 4 3 2 1

H  
G  
F  
E  
D  
C  
B  
A

H  
G  
F  
E  
D  
C  
B  
A



**Notes**

- 1. UFL Bulkhead Straight
  - 2. SMA (F) Bulkhead Straight
  - 3. Heatshrink
- Attenuation (Max) : -1.5dB  
 VSWR (Max) : 1.5  
 Freq Range : 45MHz - 6GHz  
 RG174  
 Nominal Impedance: 50ohm  
 RoHS compliant



All Dimensions in mm

**NOT TO SCALE**



DESCRIPTION				
Cable Assy ufl to SMA(F) Bulkhead cable				
Assy 75mm				
FILENAME	DRAWN BY	DATE	REVISED	PAGE
CBA-UFLSMA-1.VSD	John Fairall		21/01/2019	1 of 1
REVISIONS				
ZONE	REV	DESCRIPTION	DATE	APPROVED
N/A	1	First Issue	1.8.09	
	2			
	3			
	4			
	5			
	6			

8 7 6 5 4 3 2 1