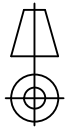
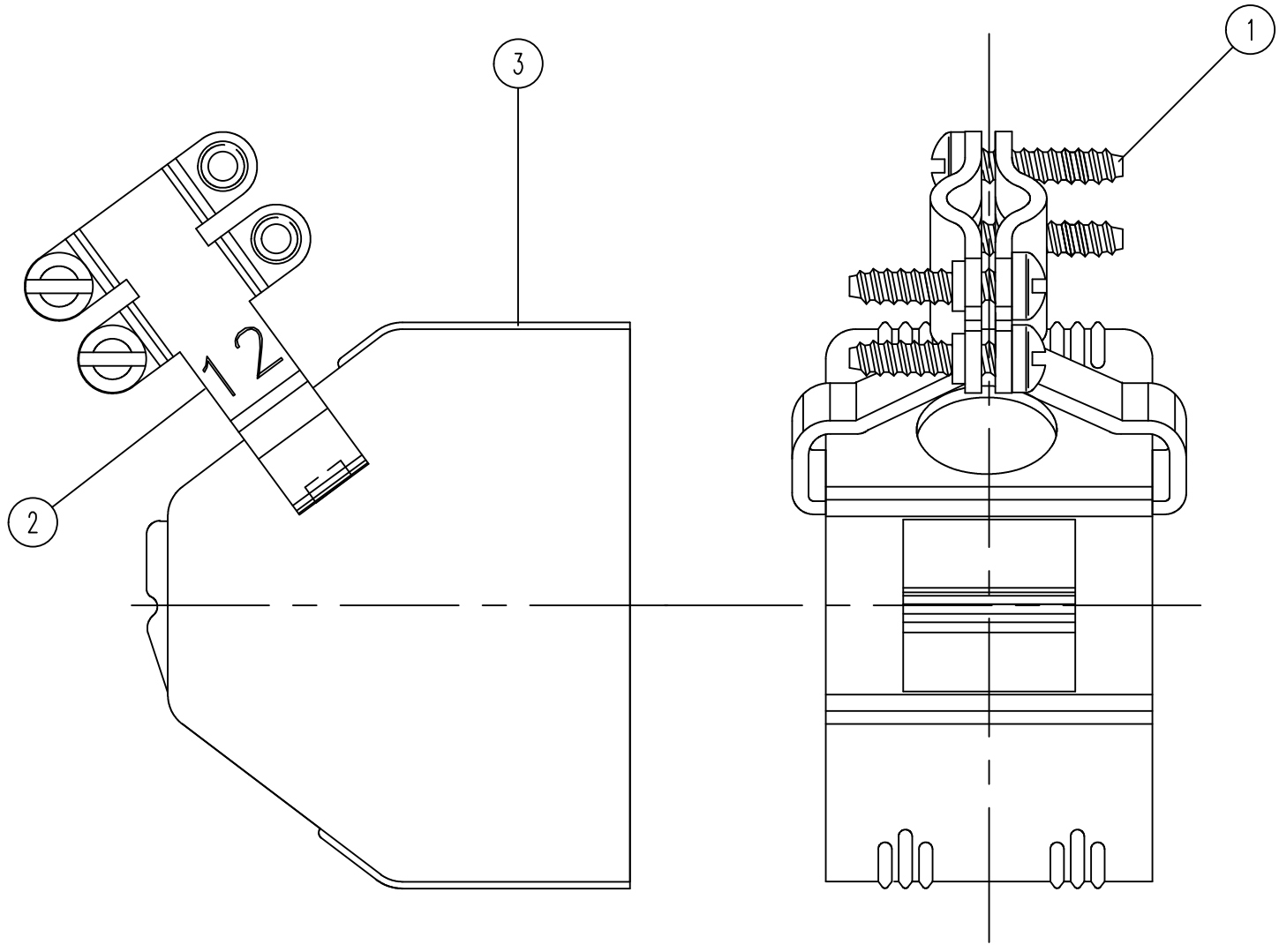


1	2	3	4	5	6	7
CINCH Connectors Ltd. WORKSOP, ENGLAND						
A		JA		83385 00		A0P R01
A		A		RELEVANT SPEC.		SHEET 1 OF 1
A		A		CAD No:R7683385 \		
A		A				IF IN DOUBT - ASK ALL DIMENSIONS ARE IN mm
A		A				

CUSTOMER DRAWING ONLY.



THIS DRAWING IS COPYRIGHT AND IS ISSUED ON CONDITION IT IS NOT COPIED, REPRODUCED OR DISCLOSED TO A THIRD PARTY WITHOUT THE CONSENT IN WRITING OF CINCH CONNECTORS LTD. ATTENTION IS DRAWN TO THE FACT THAT THE ARTICLE DISCLOSED MAY BE COVERED BY BRITISH OR FOREIGN PATENTS, GRANTED OR PENDING OR REGISTERED DESIGN.

APP'D		DATE		CUST ISS		APP'D	
			9.9.80		25.07.95		
DESCRIPTION		MOD No.		FINISH		TITLE	
		1	4	1 <sub>T<sub>E</sub>M</sub>		12 WAY MOULDED SHELL ASSEMBLY	
		2				GENERAL TOLERANCE	
		3				2 DECIMAL	
		4				PLACES ± 0.10	
						1 DECIMAL	
						PLACE ± 0.20	
						NO DECIMAL	
						PLACE ± 0.50	
						ANGULAR ± 1°	
						0.18 MAX TOOLING RAD.	
CODE						RAW MATERIAL	FINISHED COLOUR
						FINISHED HARDNESS	FINISH TREATMENT
						DRN: D.J.POLLARD	DATE: 24.07.95
						MATERIAL SPEC.	SCALE: 2:1
						CHD: M.B	APP'D: G.S.F