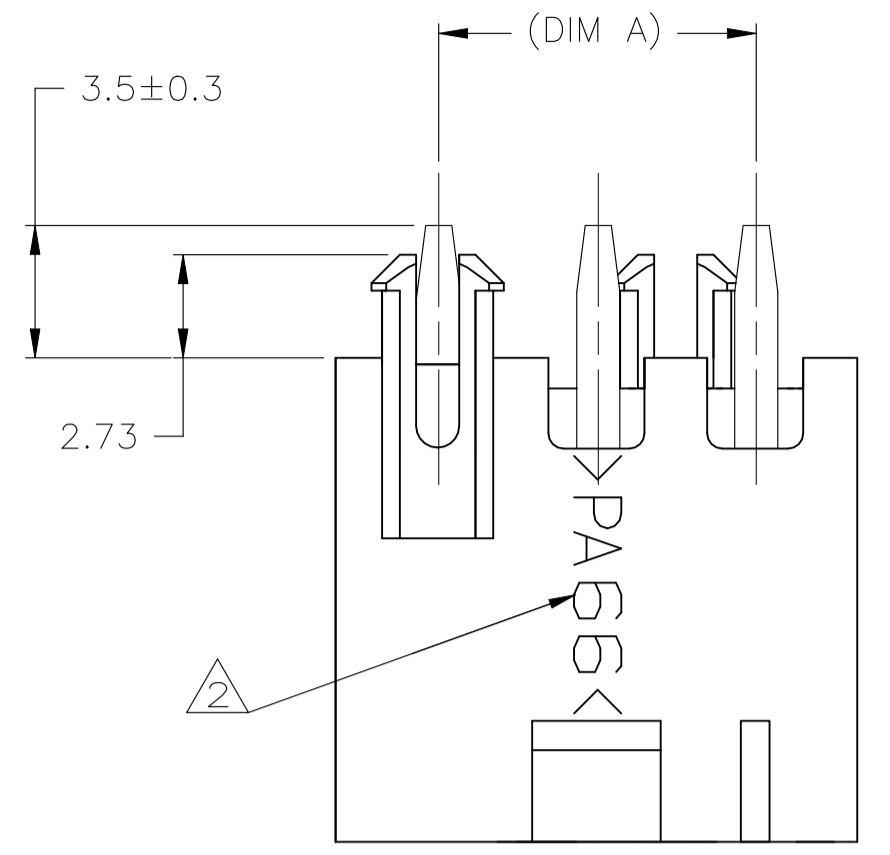
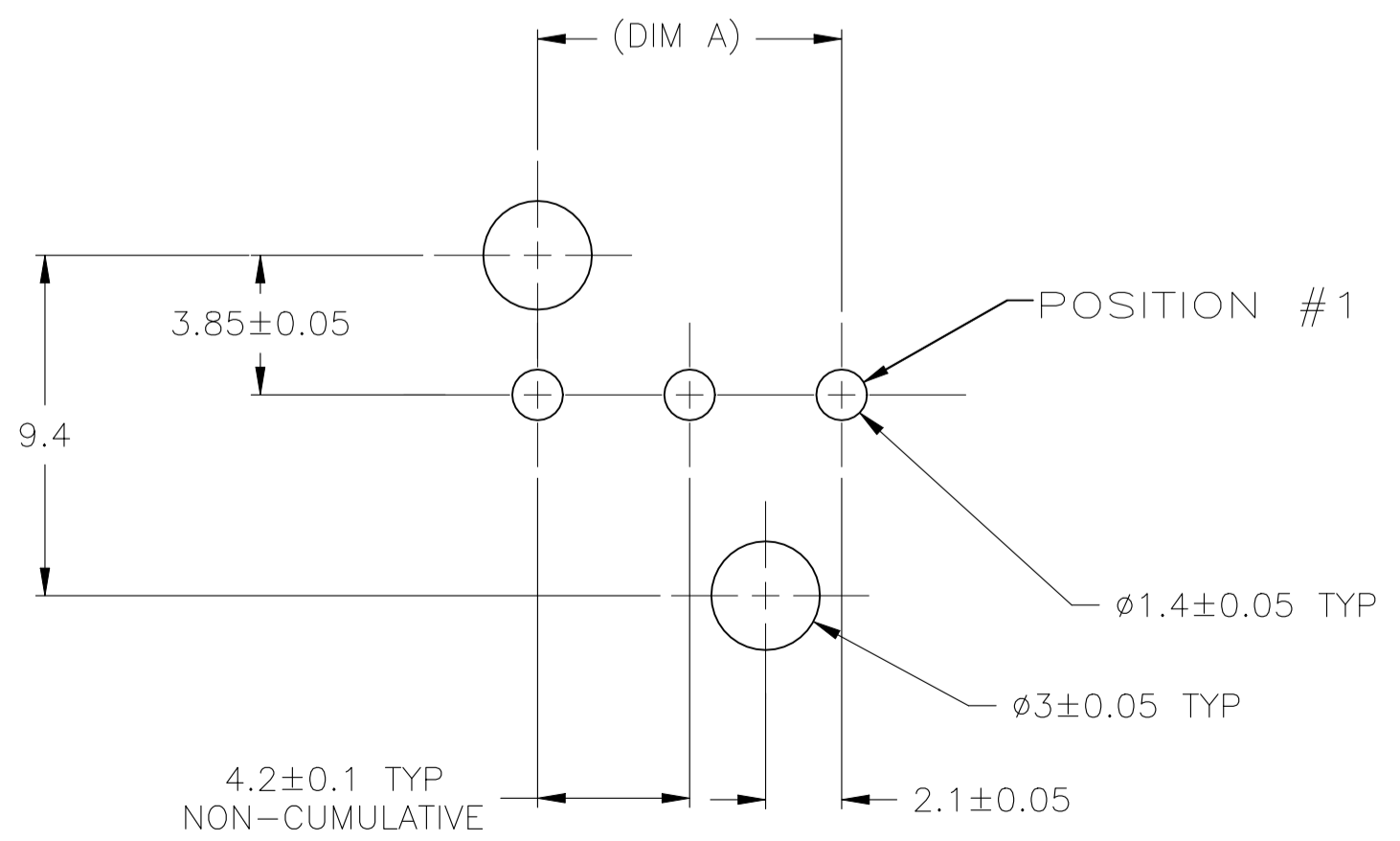
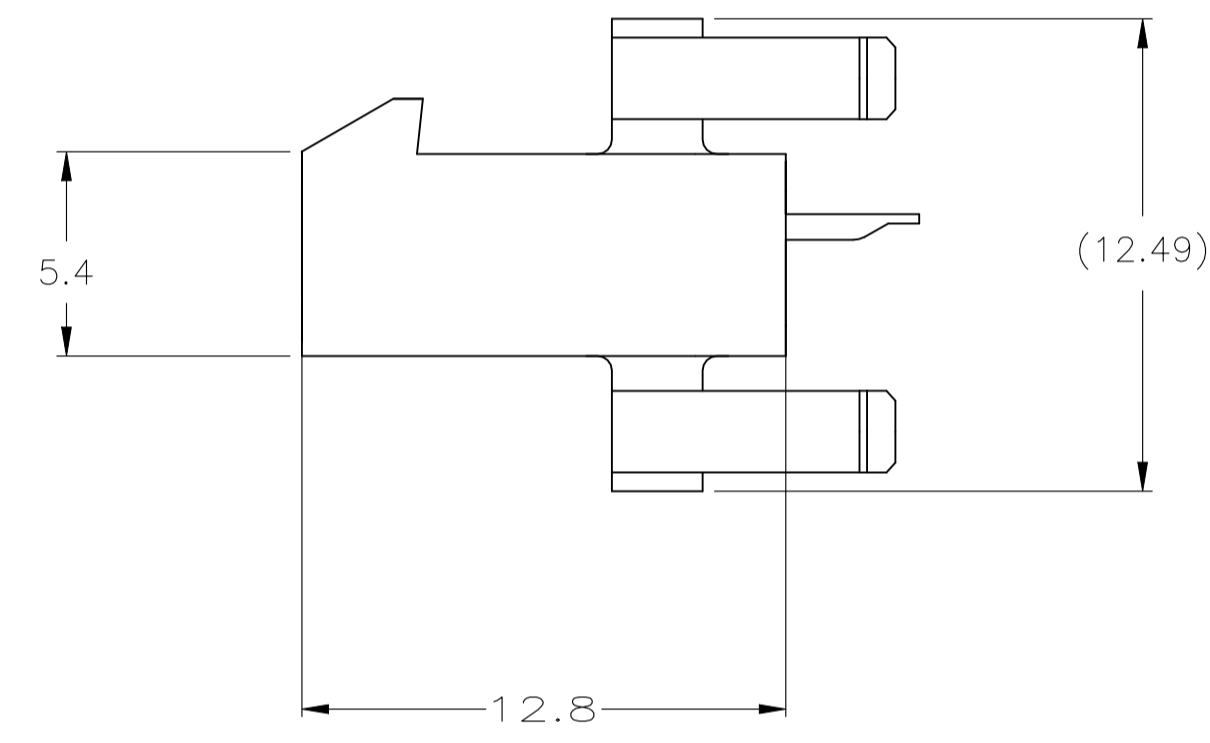
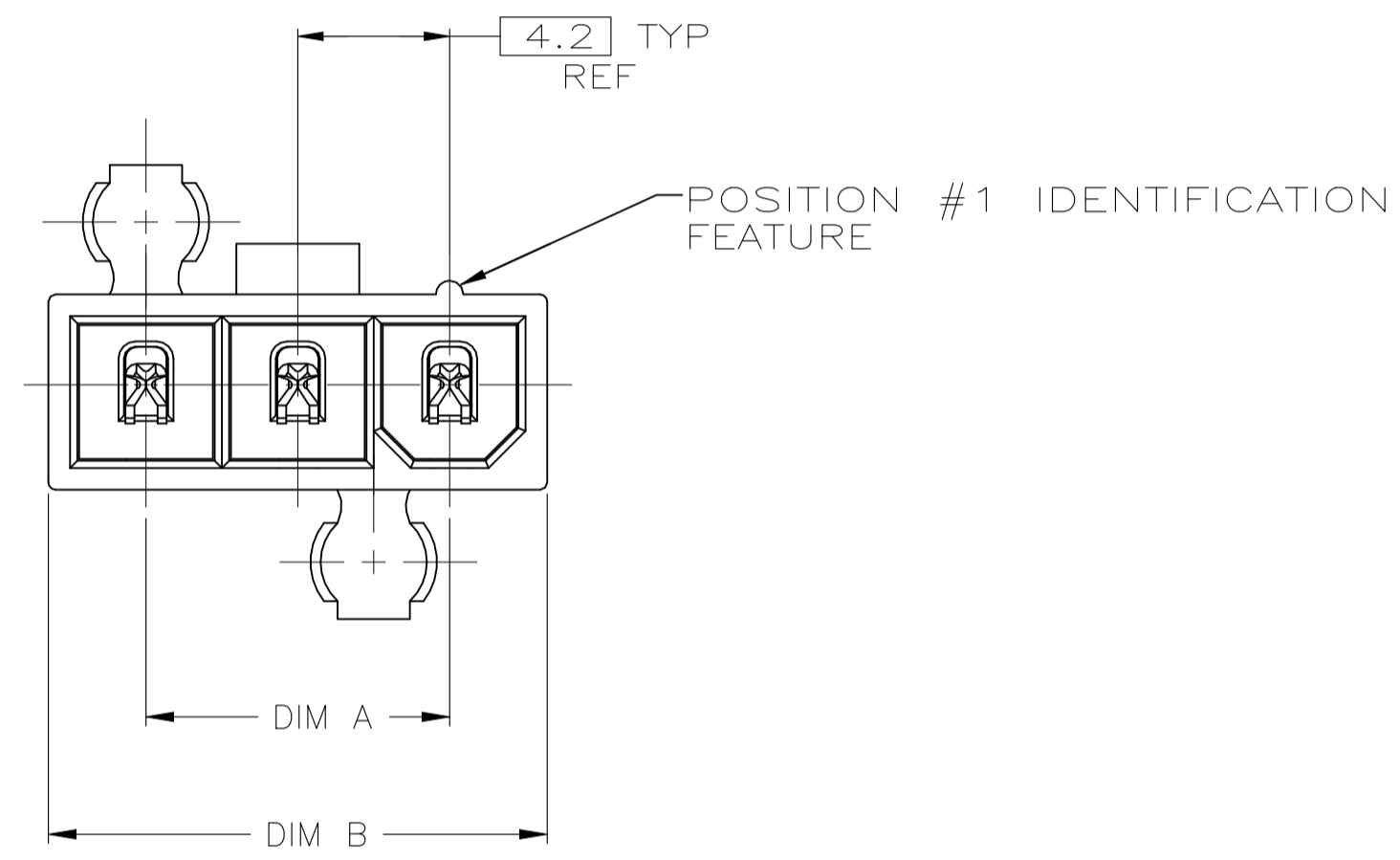


REVISIONS				
REV	DATE	DESCRIPTION	BY	APP'D
B	13MAY2022	REVISED PER ECR-22-133159	PC	DZ

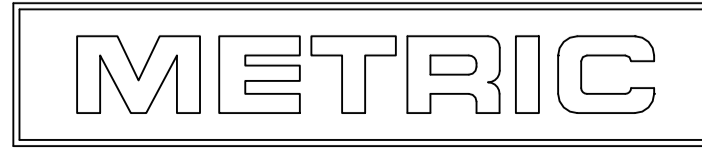


- ⚠ MATERIAL: HOUSING - NYLON, UL94V-0, WHITE.  
CONTACTS - BRASS, TIN PLATED.
- ⚠ TYCO ELECTRONICS LOGO AND MATERIAL ID MAY BE LOCATED ON EITHER LONG SIDE OF PART.
- ⚠ OMITTED PIN 2 AND PIN 4



RECOMMENDED MOUNTING HOLE PATTERN  
 FOR 1.78 MAX THICK P.C. BOARD  
 COMPONENT SIDE SHOWN

22.2	16.8	5	1-2029167-5
22.2	16.8	5	2029167-5
18	12.6	4	2029167-4
13.8	8.4	3	2029167-3
DIM B	DIM A	NO. OF POSITIONS	PART NO



THIS DRAWING IS A CONTROLLED DOCUMENT.

DIMENSIONS: mm	TOLERANCES UNLESS OTHERWISE SPECIFIED:	DIN K. WHITAKER 01AUG2008	TE Connectivity Ltd.
0. PLC ± -	1. PLC ± 0.2	CHK C. CASH 11JAN2008	PLUG ASSEMBLY, VERTICAL, SINGLE ROW, 94V-0, W/O DRAIN HOLES, VAL-U-LOK(TM)
2. PLC ± 0.13	3. PLC ± -	APP'D C. CASH 11JAN2008	SIZE: A1
4. PLC ANGLES ± 0°30'		NAME: PLUG ASSEMBLY, VERTICAL, SINGLE ROW, 94V-0, W/O DRAIN HOLES, VAL-U-LOK(TM)	RESTRICTED TO
MATERIAL ⚠	FINISH ⚠	WEIGHT: 0.000000	DRAWING NO: 00779C=2029167
CUSTOMER DRAWING		SCALE: 5:1	SHEET 1 of 1 REV B