



Mallory Sonalert Products, Inc.

Part #: **MSS5EMHCT**

Sales Outline Drawing

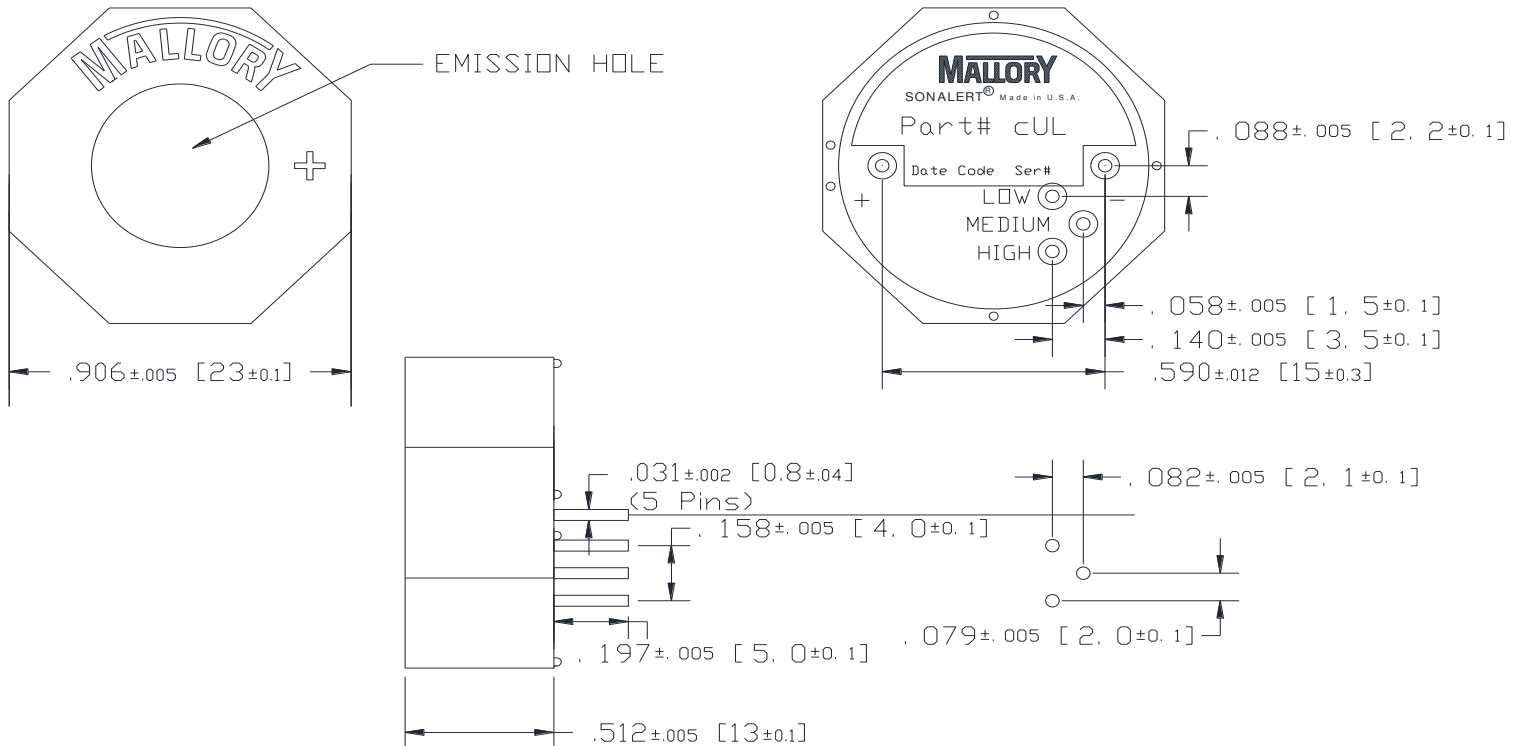
Revision: **B**

Specifications:		cUL Recognized to IEC60601-1-8 Equipment - Supply Failure Melody			
		Silent	Loud	Loud	Loud
Sound Level Category:		Silent	Loud	Loud	Loud
Mode of Operation:		Silent	Continuous	Medium Priority Alarm - 3 beeps repeating every 7.5 sec	High Priority Alarm 10 beeps repeating every 2.5 seconds
Loudness @ 10cm:		Silent	85 to 95 dB(A) Typ.	85 to 95 dB(A) Typ.	85 to 95 dB(A) Typ.
Frequency:		Silent	2500 ± 300Hz	150 to 4000 Hz	150 to 4000 Hz
Connection:		Connect "+" to "+" & "-" to "-" of Power Supply	Connect "+" to "+" & "-" & Low to "-" of Power Supply	Connect "+" to "+" & "-" & Medium to "-" of Power Supply	Connect "+" to "+" & "-" & High to "-" of Power Supply
Voltage Rating:	5 ± 0.5 VDC				
Average Current Draw:	<20mA Typ.	<225mA Typ.	<70mA Typ.	<150mA Typ.	
Ipk Current*:	400mA				
Housing Material:	Valox (UL94V-0), Octagonal, Black				
Storage Temperature:	-30° to +60° C				
Operating Temperature:	-30° to +55° C				
Weight Typical:	6.0g				
Options:	Please contact factory.				

Dimensions: Inches [mm]

cUL Recognized

ROHS Compliant



NOTE A:
TERMINALS - .031" DIA. NICKEL/TIN COATED BRASS.

NOTE B:
MOUNTING- INSERT INTO PRINTED CIRCUIT BOARD AND HAND OR MACHINE SOLDER.
UNITS ARE SUITABLE FOR WAVE SOLDERING. BOARDS ARE NOT SUITABLE FOR WASH.
RECOMMENDED MAXIMUM TEMPERATURE AND TIME DURATION FOR WAVE SOLDERING IS
+270°C AND 3 SECONDS RESPECTIVELY.

*Ipk = Instantaneous Peak