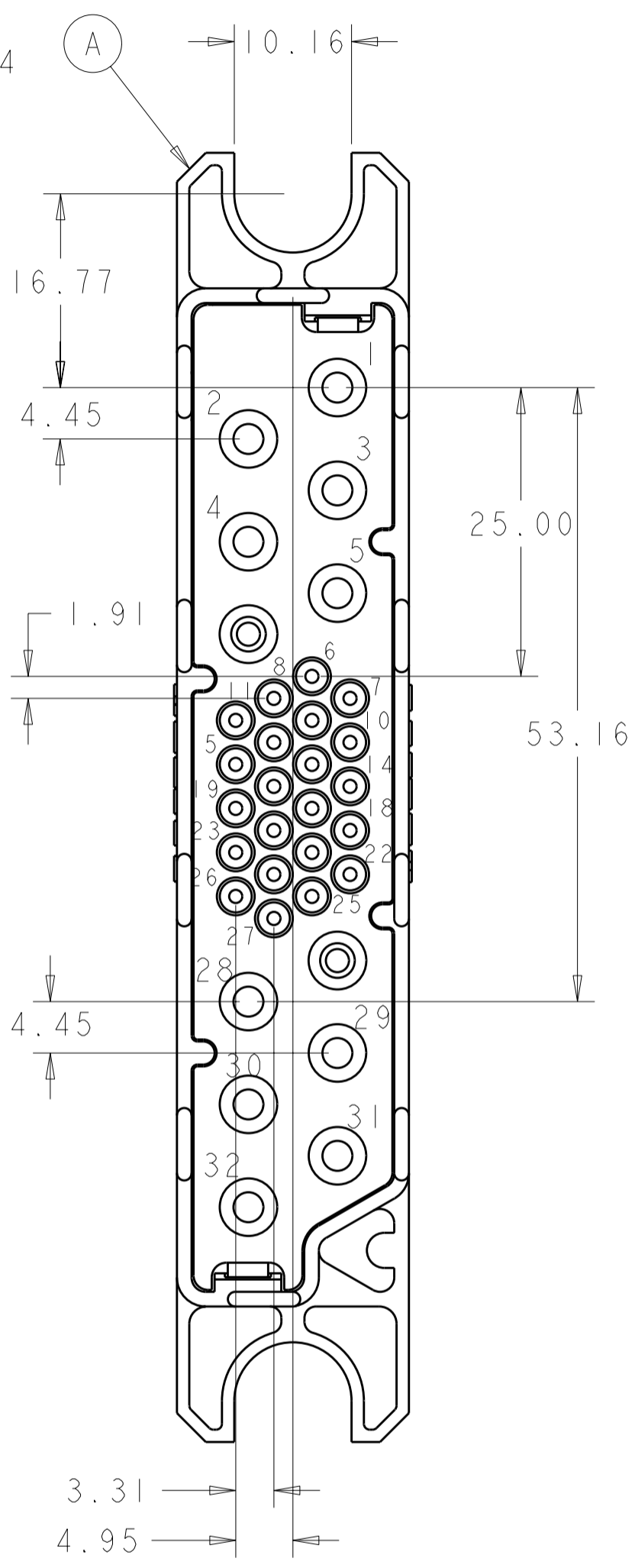
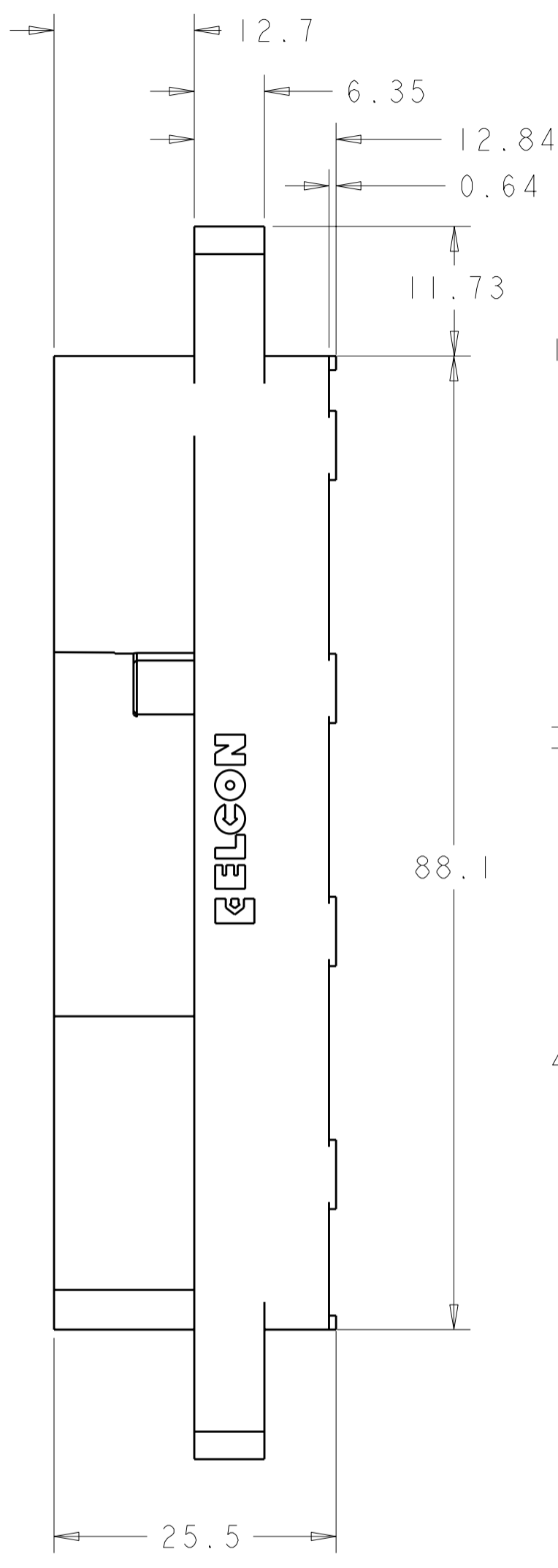
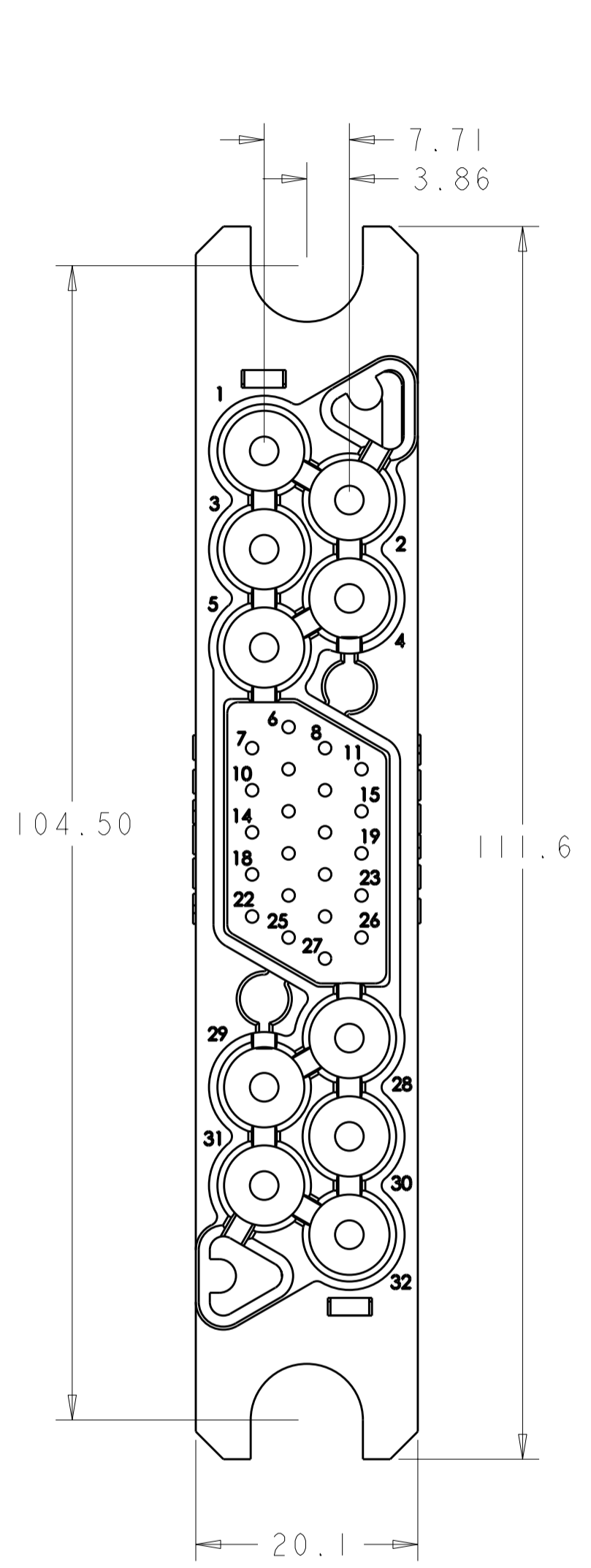


THIS DRAWING IS UNPUBLISHED. RELEASED FOR PUBLICATION 20  
 © COPYRIGHT 20 BY TYCO ELECTRONICS CORPORATION. ALL RIGHTS RESERVED.

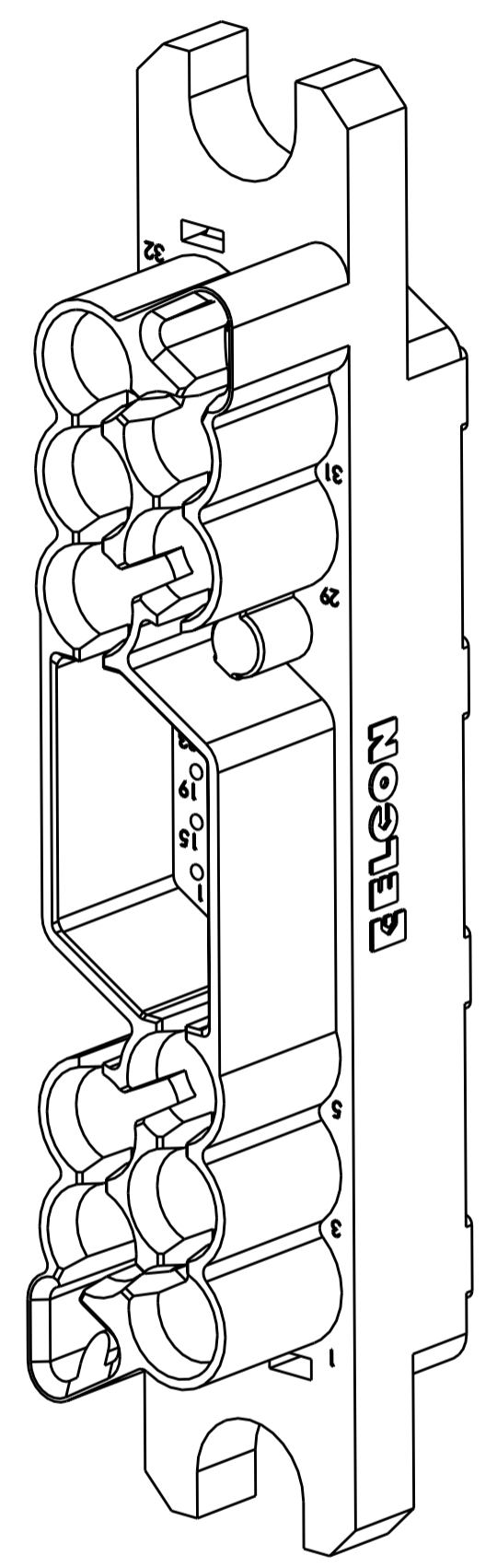
REVISIONS					
P	LTR	DESCRIPTION	DATE	DWN	APVD
A		INITIAL RELEASE	11OCT2006	GIP	DO
B		REVISED PER ECO-07-004109	21FEB2007	GIP	DO



PIN CONTACT  
 (B) OR (D)

PIN CONTACT  
 (C)

PIN CONTACT  
 (B) OR (D)



**ELCON P10S22**

1926213-1  
 PART NUMBER

<small>THIS DRAWING IS A CONTROLLED DOCUMENT FOR TYCO ELECTRONICS CORPORATION. IT IS SUBJECT TO CHANGE AND THE CONTROLLING ENGINEERING ORGANIZATION SHOULD BE CONTACTED FOR THE LATEST REVISION.</small>		DWN G. PETERS 11OCT2006 CHK D. ORRIS 11OCT2006 APVD S. FLICKINGER 11OCT2006	<b>tyco</b> Electronics Tyco Electronics Harrisburg, PA 17105-3608
DIMENSIONS: mm	TOLERANCES UNLESS OTHERWISE SPECIFIED: 0 PLC ± 1 PLC ±0.5 2 PLC ±.02 3 PLC ±.010 4 PLC ±0.0001 ANGLES ±.5 FINISH	PRODUCT SPEC APPLICATION SPEC	NAME PIN CONNECTOR, CUSTOM, 10X #12, 13X #20 CONTACTS
MATERIAL		WEIGHT	SIZE CAGE CODE DRAWING NO RESTRICTED TO A200779C-1926213 -
CUSTOMER DRAWING		SCALE 1:1	SHEET 1 OF 2 REV B

