

DIALIGHT PART NUMBER	LED COLOR	
	POSITION 1	POSITION 2
553-0701F	** BLANK **	RED / GREEN
553-0704F	** BLANK **	YELLOW / GREEN
553-0711F	RED / GREEN	RED / GREEN
553-0714F	RED / GREEN	YELLOW / GREEN
553-0715F	RED / GREEN	RED / YELLOW
553-0740F	YELLOW / GREEN	** BLANK **
553-0741F	YELLOW / GREEN	RED / GREEN
553-0744F	YELLOW / GREEN	YELLOW / GREEN
553-0745F	YELLOW / GREEN	RED / YELLOW
553-0751F	RED / YELLOW	RED / GREEN
553-0754F	RED / YELLOW	YELLOW / GREEN

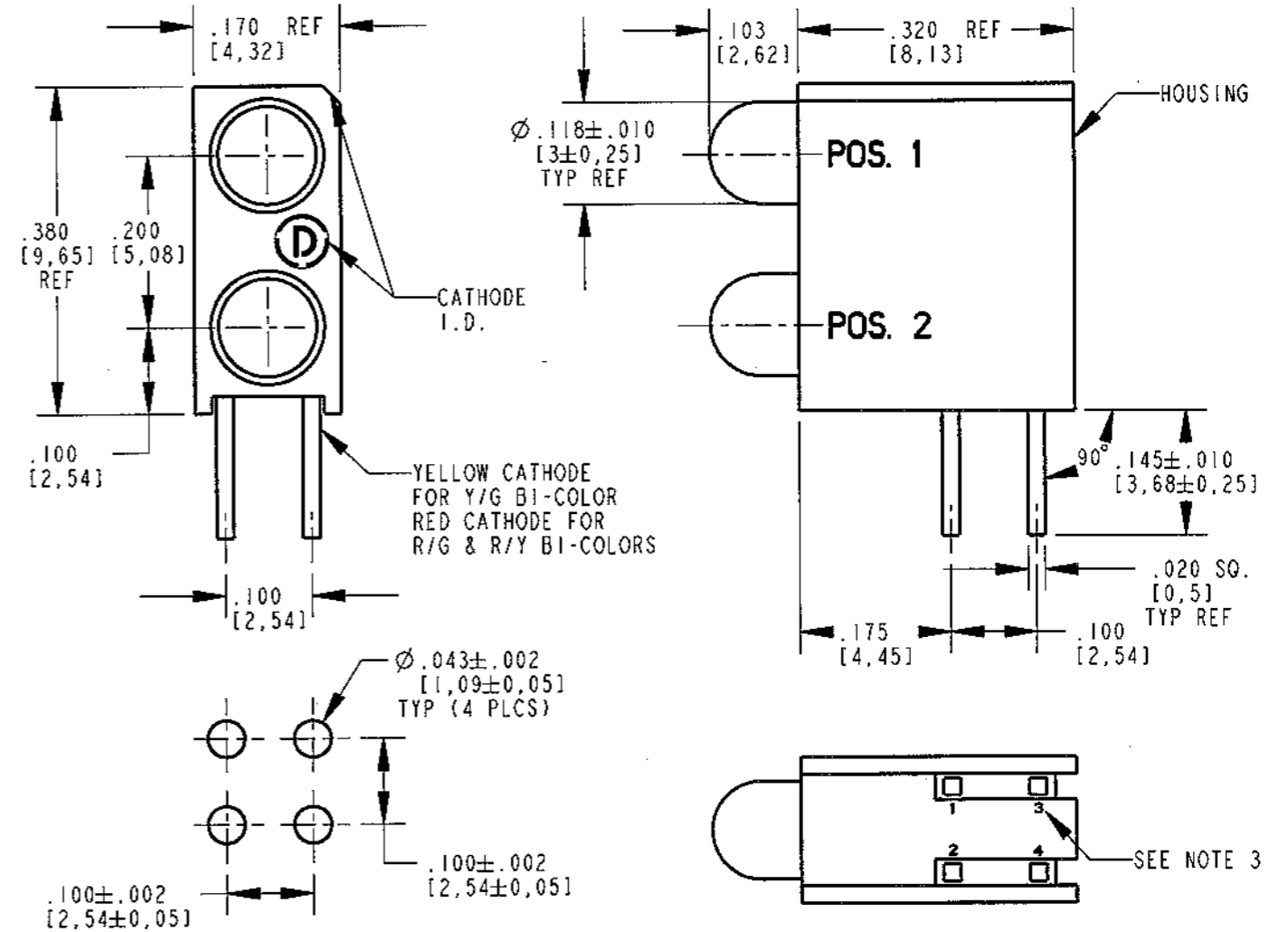
RoHS COMPLIANT 553-07XXF

Part Numbers with the "F" suffix ending are RoHS Compliant.
 For example: 553-0744F
 Packaging is marked with "RoHS Compliant" label or equivalent markings. Parts can be wave soldered, dip soldered or hand soldered using typical lead-free soldering process with max 260°C temp. for 5 sec.

REV	ECN NO	REVISIONS	DRN	CKD	APP	DATE
A		NEW RELEASE	TWC	N.O.	TC	6-7-06
B		ADDED P/N'S 553-0715F, 553-0745F; REMOVED REV TABLE, ADDED METRIC DIMENSIONS, REMOVED NOTE 2.	KLJ	N.O.	MES	12-3-08
C		ADDED P/N'S 553-0751F, 553-0754F	KLJ	FN	MS	1-5-09

NOTES:

- LEADS TO FIT INTO HOLES SPACED AS PER PATTERN.
- LED LEAD DIMENSIONS SHOWN ARE MEASURED AT HOUSING EXIT.
- PIN NUMBERS FOR REFERENCE ONLY, DESIGNATION NON-EXISTENT ON PART.
- DIALIGHT PART NUMBERS: 553-07XXF
- THIS ASSEMBLY CONTAINS ELECTROSTATIC DISCHARGE SENSITIVE DEVICES (ESDS). MAINTAIN ALL PRECAUTIONARY MEASURES DURING ASSEMBLY, HANDLING, AND STORAGE IN ACCORDANCE WITH IPC-A-610.



RECOMMENDED HOLE PATTERN GAUGE

OPERATING CHARACTERISTICS AT 25°C AMBIENT

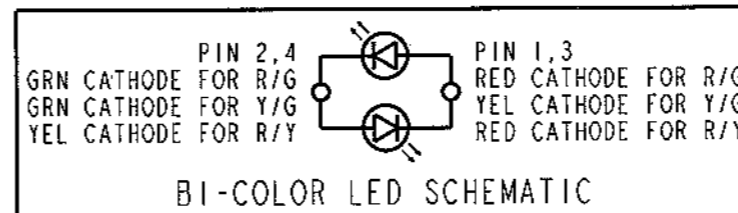
LED	COLOR	LUMINOUS INTENSITY TEST CONDITION	LUMINOUS INTENSITY (mcd)			FORWARD VOLTAGE @ I _F = 20 mA (V)		REVERSE CURRENT (μA)	DOMINANT WAVELENGTH (nm)			PEAK WAVELENGTH (nm)	VIEWING ANGLE (DEG)
			MIN	TYP	MAX	TYP	MAX		MIN	TYP	MAX		
R/G DIFFUSED BI-COLOR LED	RED	I _F = 10mA	2.5	4.7	15	2.0	2.8	100	630	635	640	635	60
	GREEN	I _F = 10mA	3.7	10.0	20	2.1	2.8	100	563	569	572	565	60
Y/G DIFFUSED BI-COLOR LED	YELLOW	I _F = 10mA	2.5	4.3	15	2.1	2.8	100	583	586	589	585	80
	GREEN	I _F = 10mA	2.5	6.3	15	2.1	2.8	100	563	569	572	565	80
R/Y DIFFUSED BI-COLOR LED	RED	I _F = 20mA	1.7	5.6	—	2.0	2.8	100	—	—	—	630	80
	YELLOW	I _F = 20mA	1.7	5.6	—	2.1	2.8	100	—	—	—	585	80

ABSOLUTE MAXIMUM RATINGS AT 25°C AMBIENT

	R/G BI-COLOR		Y/G BI-COLOR		R/Y BI-COLOR		UNITS
	RED	GREEN	YELLOW	GREEN	RED	YELLOW	
POWER DISSIPATION	100	100	60	100	100	60	mW
CONTINUOUS FORWARD CURRENT	30	30	20	30	30	20	mA
PEAK FORWARD CURRENT	120	120	80	120	120	80	mA
DERATE LINEARLY FROM 50°C	0.4	0.4	0.25	0.4	—	—	mA/°C
REVERSE VOLTAGE	5						V
STORAGE TEMPERATURE	-55 TO +100						°C
OPERATING TEMPERATURE	-55 TO +100						°C
SOLDERING TEMPERATURE, FOR 5 SEC	260						°C



ATTENTION:
 OBSERVE PRECAUTIONS FOR
 HANDLING ELECTROSTATIC
 SENSITIVE DEVICES



THIS DRAWING AND THE CONTENTS HEREIN ARE CONFIDENTIAL AND THE SOLE PROPERTY OF DIALIGHT. REPRODUCTION OF THIS DRAWING OR CONSTRUCTION OF ANY PARTS WITHIN THIS DRAWING ARE FORBIDDEN WITHOUT THE WRITTEN CONSENT OF DIALIGHT.		
SCALE: 5.000	DRAWING NUMBER	REV
ALL DIM'S IN: INCHES (MM)	C-17409	C
TOLERANCES: UNLESS OTHERWISE SPECIFIED	TITLE 3mm BI-LEVEL CBI RoHS COMPLIANT	
FRACTIONS: ±1/64	MATERIAL	
DECIMALS (.XX): ±.02	Dialight 1501 ROUTE 34 SOUTH FARMINGDALE, NJ 07727	
DECIMALS (.XXX): ±.015	FSCM 83330	
ANGLES: ±3°	SHEET 1 OF 1 FAMILY TABLE:	
FINISH:		