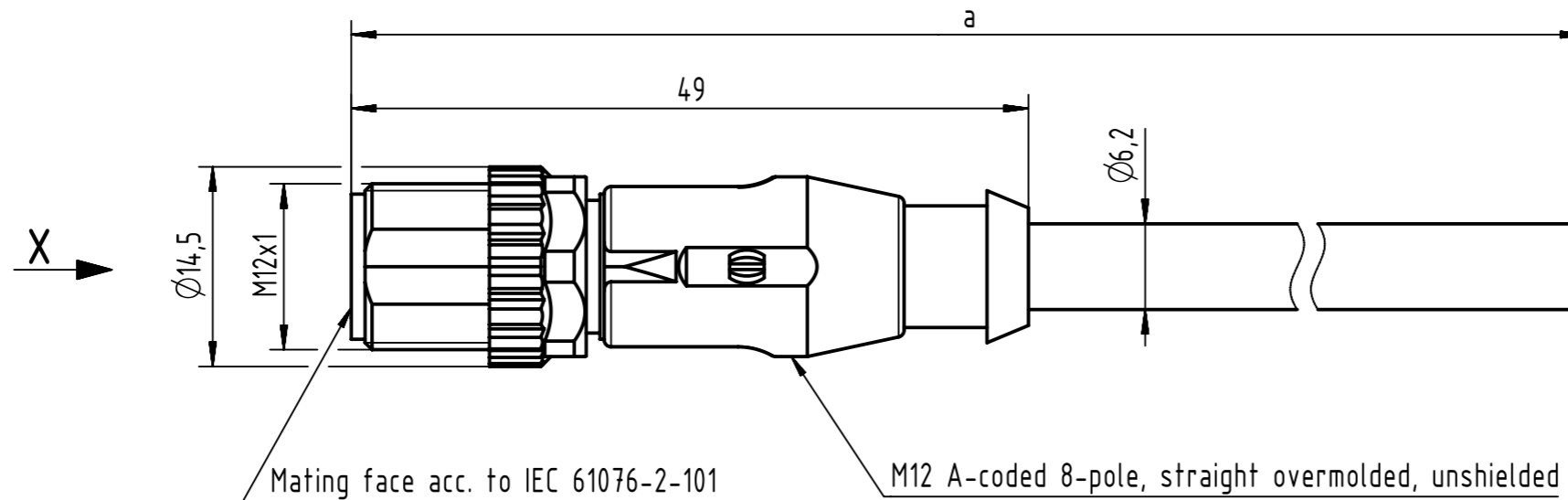


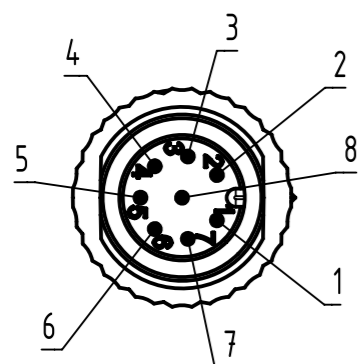
Connector Location A

Connector Location B

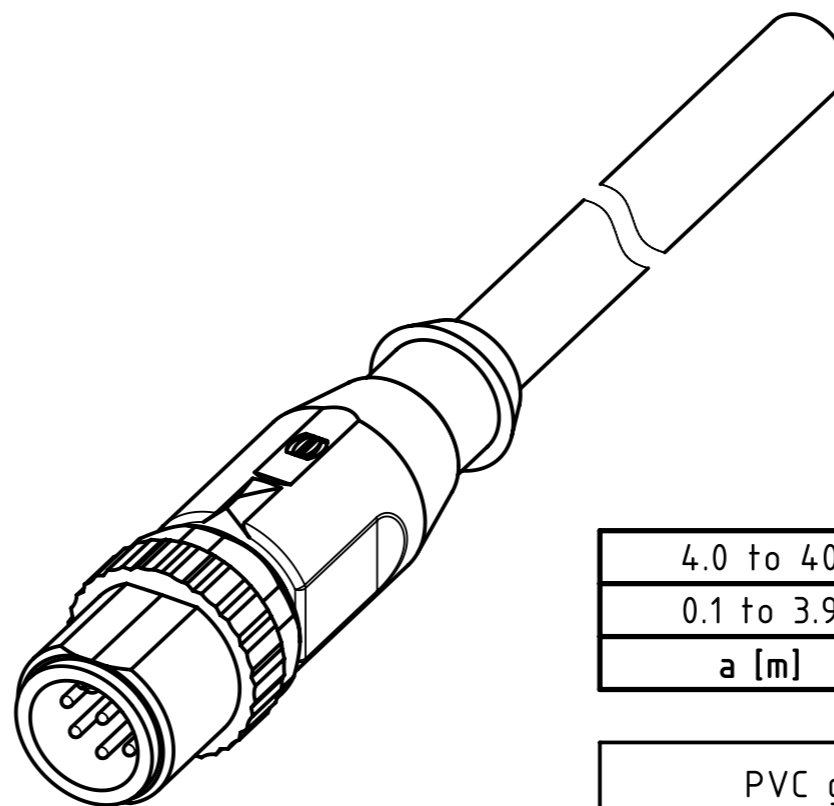


X
male

Loading-Plan:



- 1 — white
- 2 — brown
- 3 — green
- 4 — yellow
- 5 — grey
- 6 — pink
- 7 — blue
- 8 — red



4.0 to 40	±1%
0.1 to 3.9	+0.04
a [m]	Tolerance

length in "1m" step	40	XXX=40
	39	XXX=39
	.	.
	12	XXX=120
	11	XXX=110
length in "0.1m" step	10	XXX=100
	9.9	XXX=099
	9.8	XXX=098
	.	.
	0.4	XXX=004
	0.3	XXX=003
	0.2	XXX=002
0.1	XXX=001	
Step	a [m]	XXX

- Protection level: IP67
- Temperature range: -25°C ... +80°C

PVC grey, 8x0.25mm ²	21348400882XXX
Type of cable	Part no.

	All rights reserved	Created by COSTEA Costea	Inspected by STOCHECIC Stocheci	Standardisation MUNTEANV Muntean	Date 2018-12-17	State Final Release
Department HCS - RO		Title M12 Cable Assembly A-cod st/- m/-		Doc-Key / ECM-Nr. 100578925/UGD/009/C 500000144899		Rev. C
HARTING Customised Solutions D-32339 Espelkamp		Type TB	Number 21348400882XXX		Page 1/1	