

## Introduction

### Features

- Conform to IEEE 1394 standard
- Easy connections to equipment
- For use with plug and play devices
- Applicable to wide ranges of connections
- Optional panel mounting with M1.6 screw thread
- DIP and SMT types are available for PC board side
- Applicable for automatic mounting machines with embossed tapes (4 pos.)



### Table of Contents

6 Position IEEE 1394 Connectors . . . . .	2-6
4 Position IEEE 1394 Connectors . . . . .	7-17
9 Position IEEE 1394 Connectors . . . . .	18, 19
Cable Assembly . . . . .	20

### Product Specification

6 Position 108-1606
4 Position 108-5157
9 Position 108-57567

This product conforms to IEEE 1394. With only one type of connector, your PC can be connected to several digital peripheral equipment. IEEE 1394 connector series capable of accommodating data rates up to 400Mbps. for serial transmission are consisted of the 6 position connectors for connections of computers to peripherals, and the 4 position connectors for

connections of digital AV equipment. For connections of computers to digital AV equipment, 4 position to 6 position transition type cable assemblies are used. In order to cope with a wide range of device designs, headers of 4 position connectors suitable for DVD, STB, etc. are provided with screw thread size of M1.6, and in two types — DIP and SMT types.

The cable assemblies are also available with 4 position to 4 position type for connection of AV equipment, 4 positions to 6 positions of transition type for connections of PC and AV equipment, and 6 position to 6 position type for connections of PC and peripherals.

### Disclaimer

While Tyco Electronics has made every reasonable effort to ensure the accuracy of the information in this catalog, Tyco Electronics does not guarantee that it is error-free, nor does Tyco Electronics make any other representation, warranty or guarantee that the information is accurate, correct, reliable or current. Tyco Electronics reserves the right to make any adjustments to the information contained herein at any time without notice. Tyco Electronics expressly disclaims all implied warranties regarding the information contained herein, including, but not limited to, any implied warranties of merchantability or fitness for a particular purpose.

### Need more information?

Call Technical Support at the numbers listed below. Technical Support is staffed with specialists well versed in all Tyco Electronics products. They can provide you with:

- Technical Support
- Catalogs
- Technical Documents
- Product Samples
- Tyco Electronics Authorized Distributor Locations

© Copyright 2008 and 2006 Tyco Electronics Corporation. All Rights Reserved. TE LOGO and TYCO ELECTRONICS are trademarks. Other products, logos, and company names mentioned herein may be trademarks of their respective owners. **See back cover for Global Contacts and phone numbers.**

**6 Position IEEE 1394 Connectors**

Description	Part Number	Orientation	SMT / Thru-Hole	Color	T/L	Page Number
Receptacle	5788516-1	Right-Angle	Thru-Hole	Black	2.0	2
	1734368-1	Right-Angle	SMT	Black	SMT	3
	1734368-2	Right-Angle	SMT	Natural	SMT	3
	1734290-1	Vertical	Thru-Hole	Black	2.69	4
	1734290-2	Vertical	Thru-Hole	Black	3.18	4
	5787956-1	Flag	Thru-Hole	Black	3.36	5
Plug Kit	5787950-1	Cable Plug	N/A	Gray	N/A	6

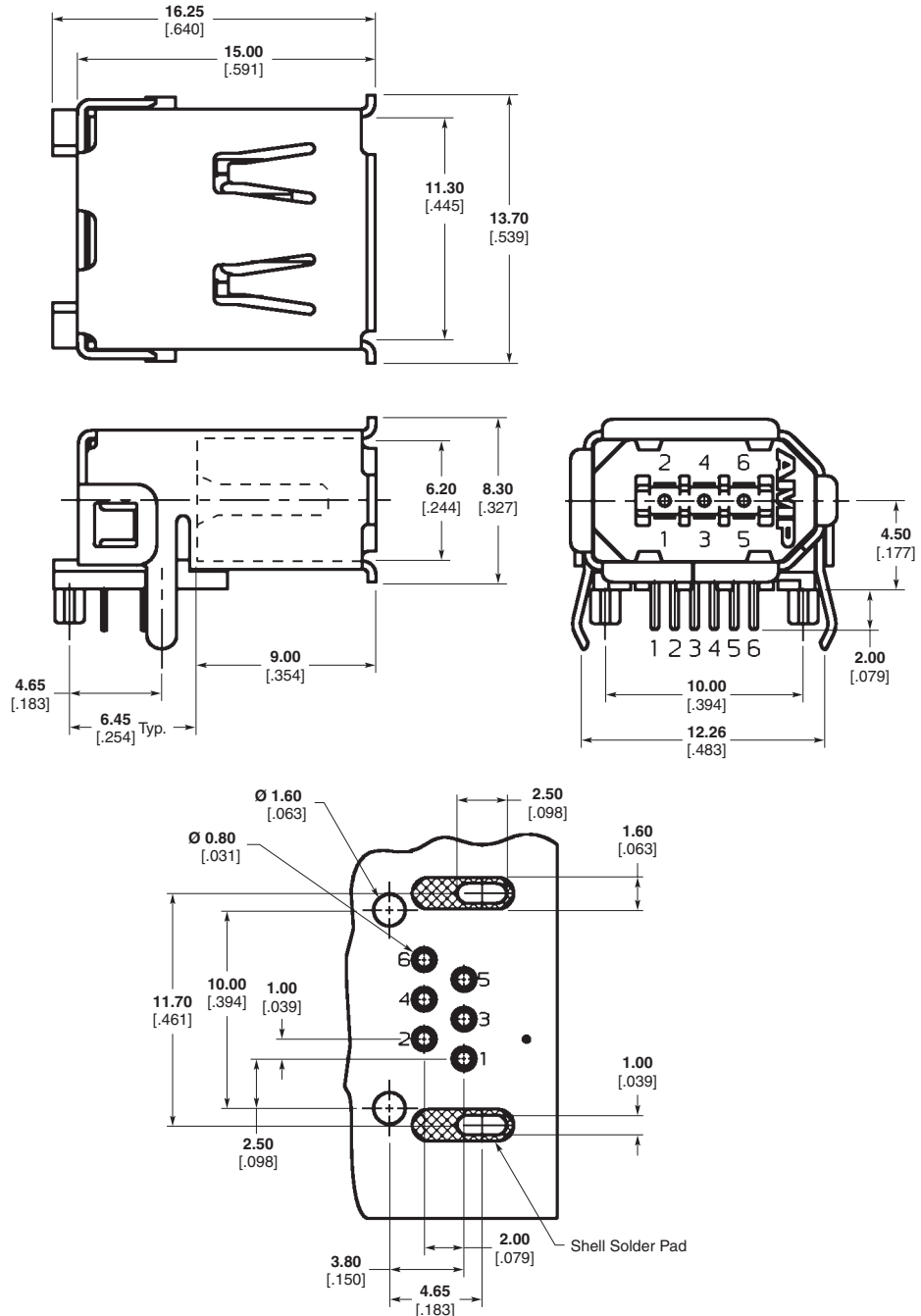
**Receptacle Assembly Right-Angle, Thru-Hole**

**Part Number**  
5788516-1

**Material and Finish**

**Housing** — Thermoplastic, UL94V-0, black

**Contact** — Copper alloy, palladium nickel, gold and tin plated, nickel under-plated



**Note:** All part numbers are RoHS compliant.

**Recommended PCB Layout**

**6 Position Connectors** (Continued)

**Receptacle Assembly  
Right-Angle, SMT**

**Part Number**  
**1734368-1, -2**

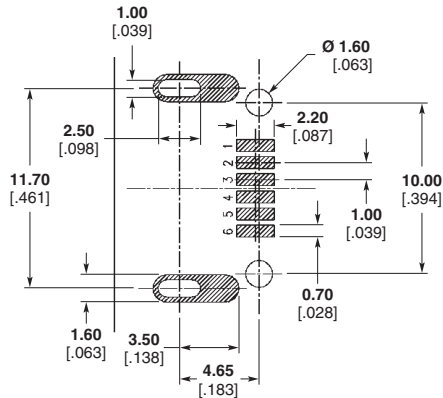
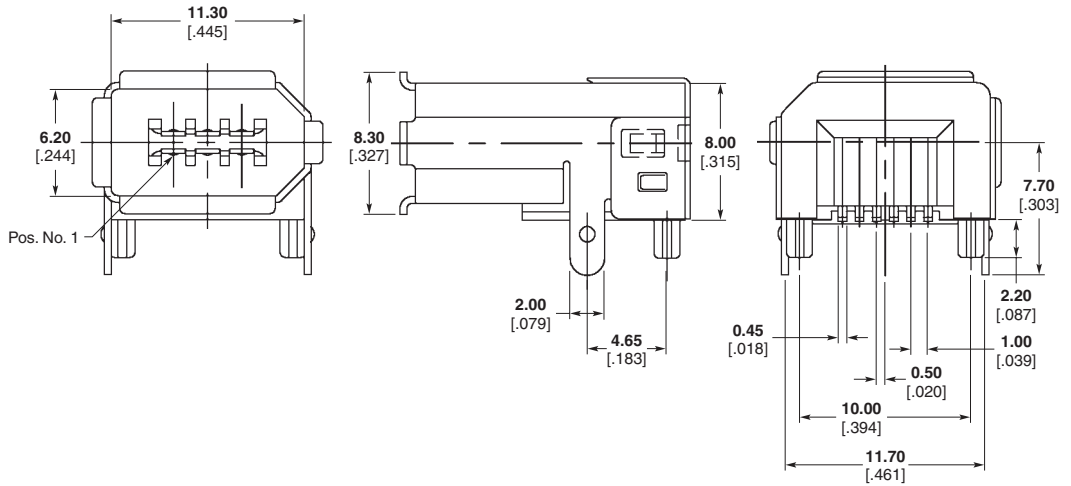
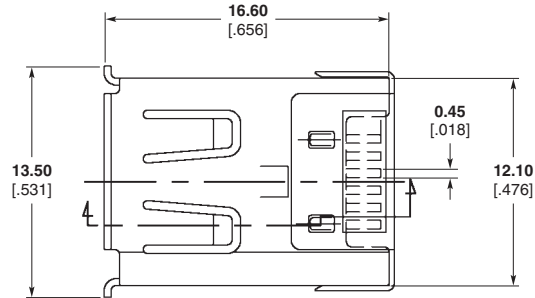
**Material and Finish**

**Housing** — Thermoplastic, UL94V-0, black

**Contact** — Copper alloy, gold and tin plated, nickel underplated

**Front Shell** — Copper alloy, tin plated

**Back Shell** — Steel, nickel over copper plated



**Recommended PCB Layout**

**Note:** All part numbers are RoHS compliant.

**6 Position Connectors** (Continued)

**Receptacle Assembly,  
Vertical, Thru-Hole**

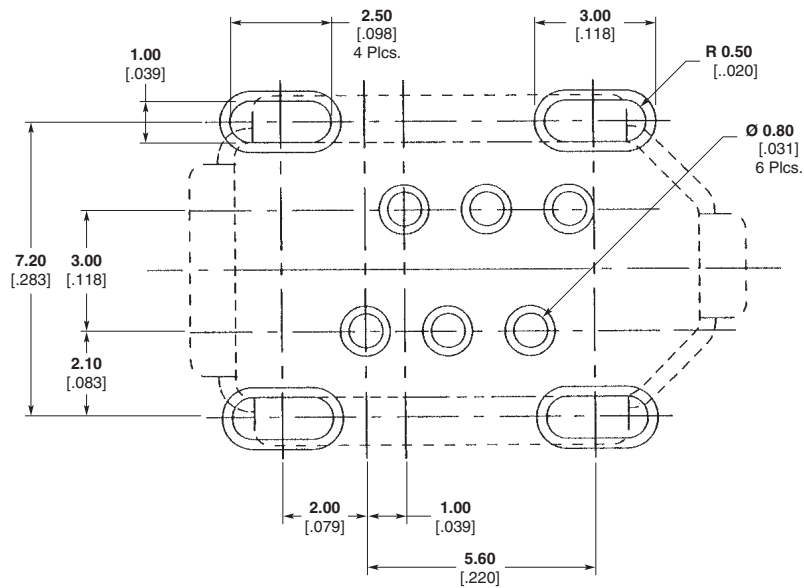
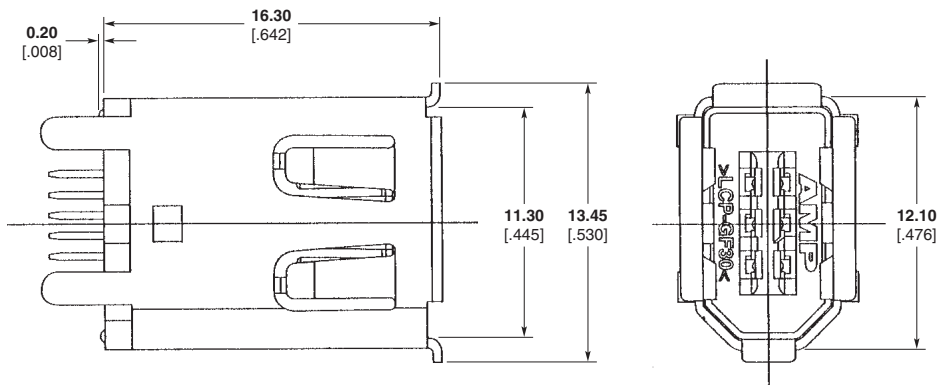
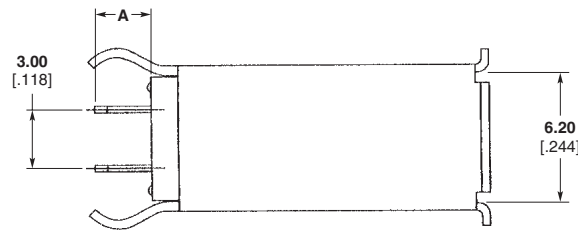
Dimension A	Part Number
2.69 .106	1734290-1
3.18 .125	1734290-2

**Material and Finish**

**Shell** — Copper alloy, plated nickel over copper

**Housing** — Thermoplastic, UL94V-0, black

**Contact** — Copper alloy, gold and tin plated, nickel underplated



**Recommended PCB Layout**

**Note:** All part numbers are RoHS compliant.

**6 Position Connectors** (Continued)

**Receptacle Assembly,  
Flag, Thru-Hole**

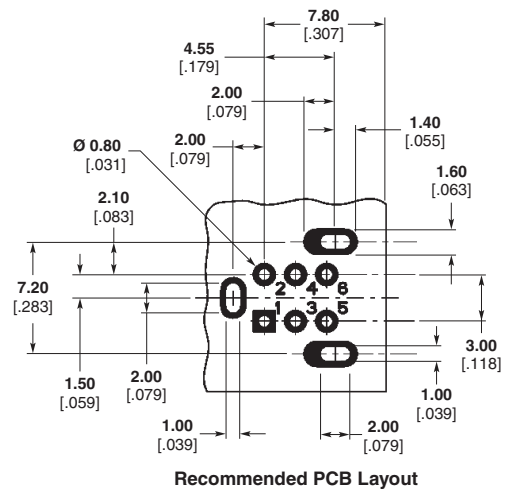
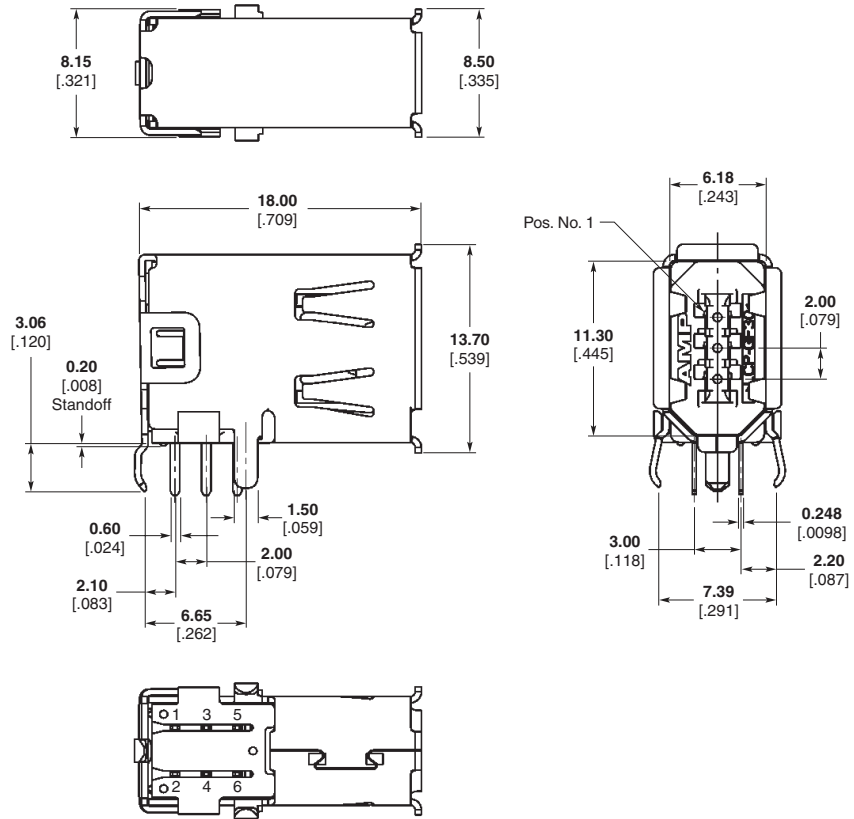
**Part Number**  
**5787956-1**

**Material and Finish**

**Housing** — Thermoplastic, UL94V-0, black

**Contact** — Copper alloy, gold over palladium nickel, and tin plated, nickel underplated

**Shell** — Copper alloy, tin plated



**Note:** All part numbers are RoHS compliant.

**6 Position Connectors** (Continued)

**Part Number**  
**5787950-1**  
**(Plug Kit — Unassembled)**

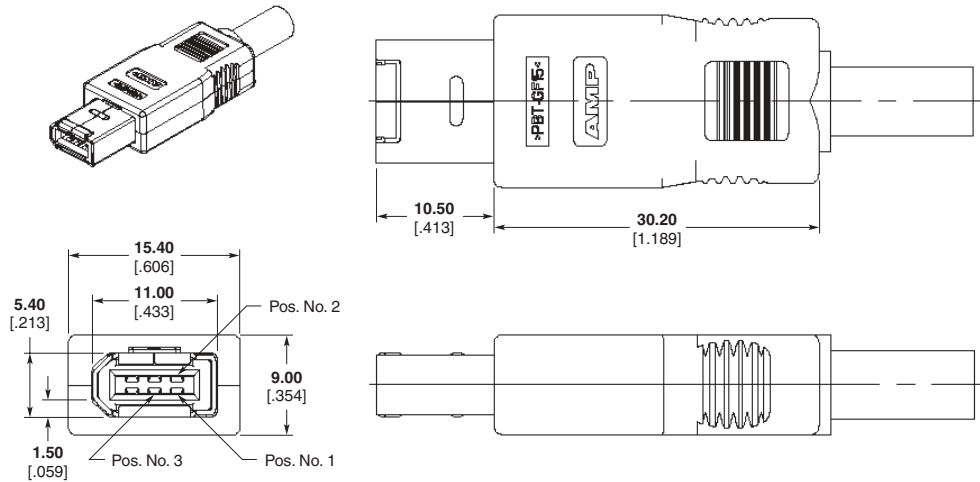
**Material and Finish**

**Housing** — Thermoplastic, UL94V-0, gray

**Shell** — Steel, tin over nickel plating

**Contact** — Copper alloy, gold or gold over palladium nickel, tin, nickel underplate

**Ferrule** — Copper alloy, tin over nickel plating



**Note:** All part numbers are RoHS compliant.

### 4 Position IEEE 1394 Connectors



The Mini IEEE 1394 serial bus can be used as a low cost high speed way to interconnect peripheral devices. This product has been implemented in applications connecting video cameras to PC's and set top boxes for home entertainment systems.

Description	Part Number	Orientation	SMT / Thru-Hole	Feature	T/L	Page Number
Receptacle	1-1734056-1	Right-Angle	Thru-Hole	Boss	2.6	7
	1-1734056-2	Right-Angle	Thru-Hole	Without Boss	2.6	8
	1318714-1	Vertical	Thru-Hole	Flange M1.6	2.0	9
	1318141-1	Right-Angle	SMT	Flange M1.6	N/A	10
	1318140-1	Right-Angle	SMT	Flange Ø2.1	N/A	11
	1734194-1	Edge Mount	SMT		N/A	12
	353388-1	Right-Angle	Thru-Hole	Flange M1.6	2.0	13
	1318138-1	Right-Angle	Thru-Hole	Flange M1.6 Tape & Reel	2.0	13
	1123843-1	Right-Angle	Thru-Hole	Flange M1.6	3.85	14
	1734681-1	Edge Mount	Thru-Hole		2.0	15
1674260-1	Right-Angle	Thru-Hole	Stacked	2.8	16	
Plug Kit	1717700-1	Plug Kit	N/A	N/A	N/A	17

#### Receptacle Assembly, Right-Angle, Thru-Hole

**Part Number**  
1-1734056-1

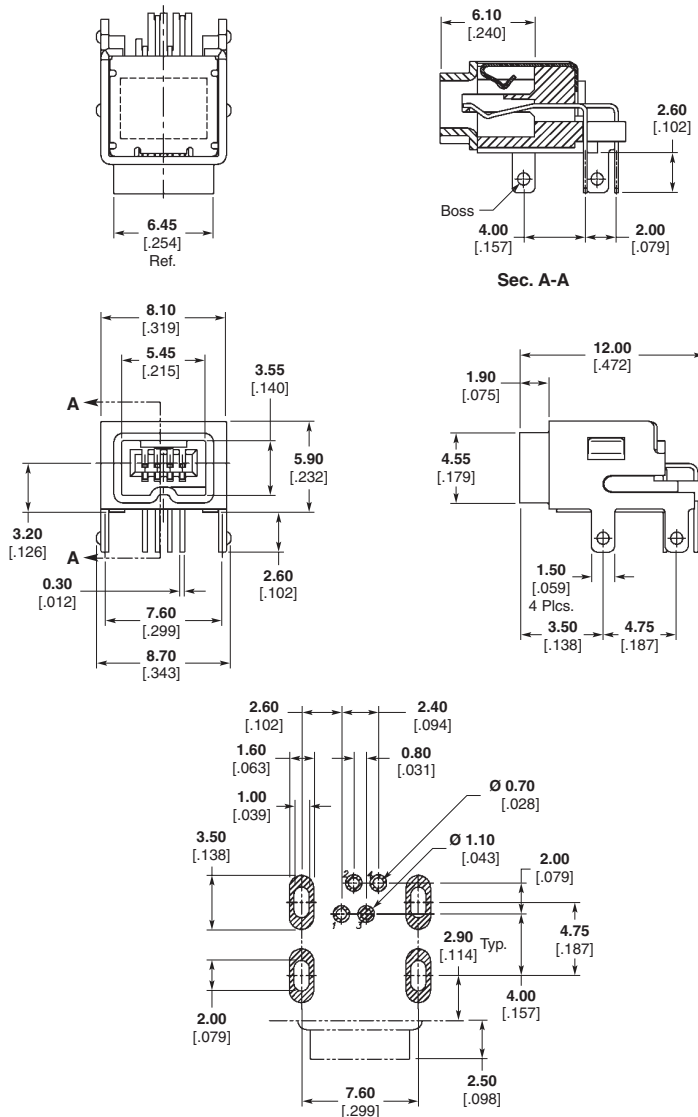
#### Material and Finish

**Housing** — Thermoplastic, UL94V-0, black

**Contact** — Copper alloy, gold and tin plated, nickel underplated

**Front Shell** — Steel, nickel plated

**Back Shell** — Steel



Recommended PCB Layout

**Note:** All part numbers are RoHS compliant.

**4 Position Connectors** (Continued)

**Receptacle Assembly,  
Right-Angle, Thru-Hole**

**Part Number**  
**1-1734056-2**

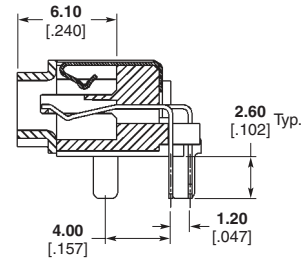
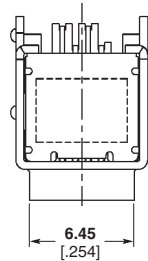
**Material and Finish**

**Housing** — Thermoplastic, UL94V-0, black

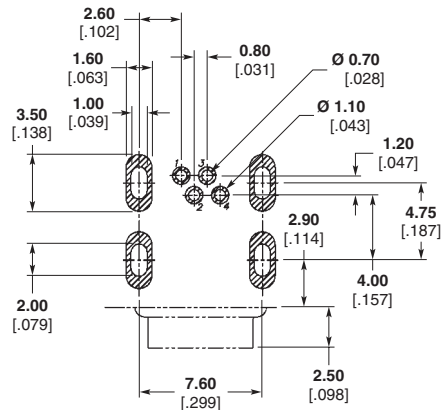
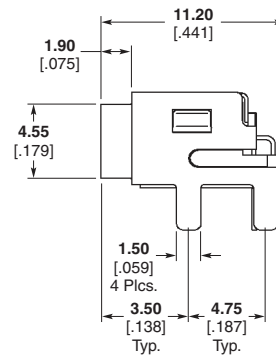
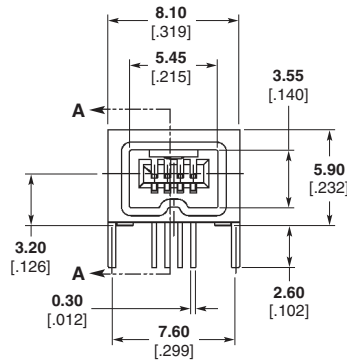
**Contact** — Copper alloy, gold and tin plated, nickel underplated

**Front Shell** — Steel, nickel plated

**Back Shell** — Steel



**Sec. A-A**



**Recommended PCB Layout**

**Note:** All part numbers are RoHS compliant.



**4 Position Connectors** (Continued)

**Receptacle Assembly,  
Vertical, Thru-Hole**

**Part Number**  
**1318714-1**

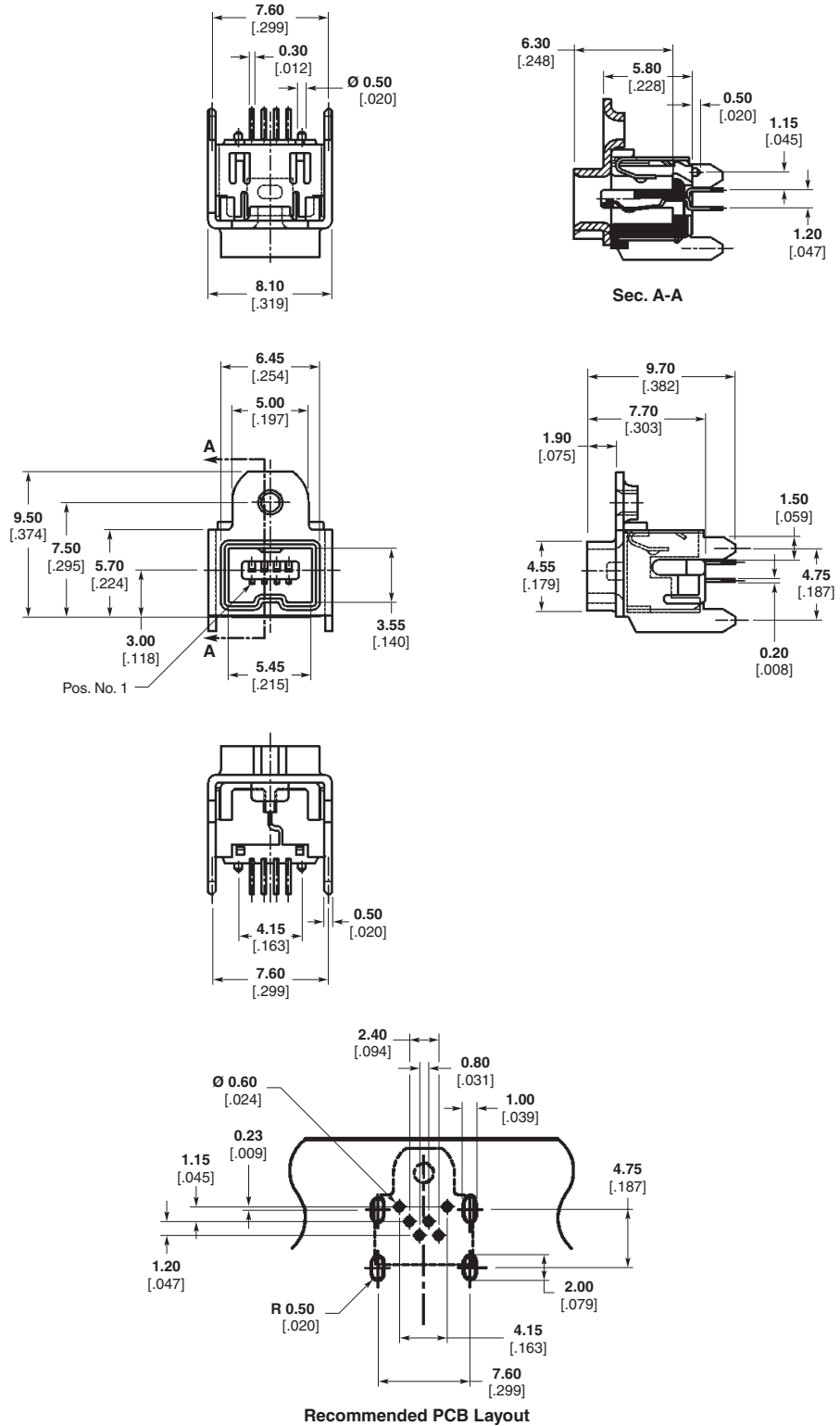
**Material and Finish**

**Housing** — Thermoplastic, UL94V-0, black

**Contact** — Copper alloy, gold and tin plated, nickel underplated

**Front Shell** — Copper alloy, tin plated over nickel

**Back Shell** — Copper alloy, tin plated



**Note:** All part numbers are RoHS compliant.

**4 Position Connectors** (Continued)

**Receptacle Assembly,  
Right-Angle, Panel Mount,  
SMT**

**Part Number**  
**1318141-1**

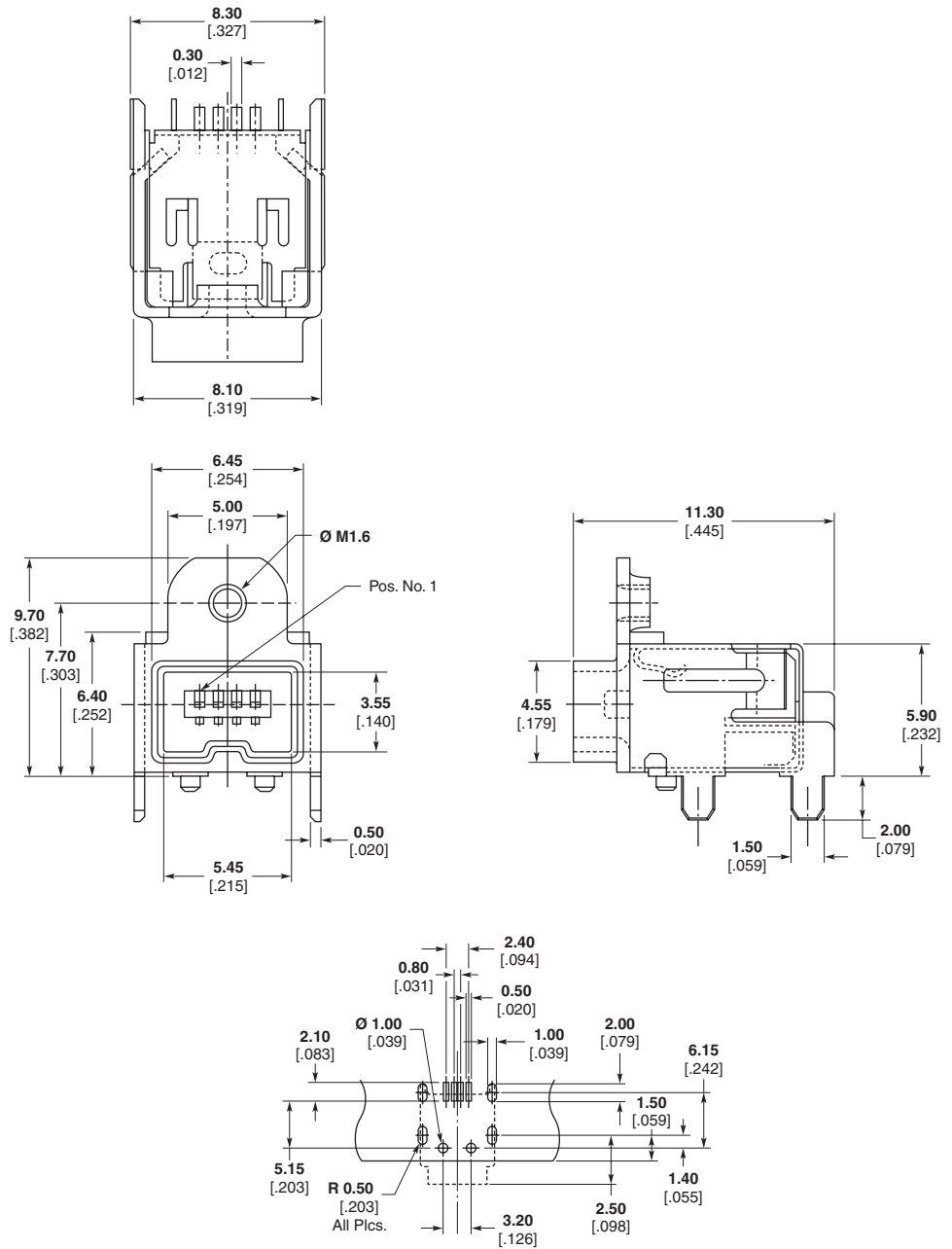
**Material and Finish**

**Housing** — Thermoplastic, UL94V-0, black

**Contact** — Copper alloy, gold and tin plated, nickel underplated

**Front Shell** — Copper alloy, tin plated

**Back Shell** — Copper alloy, tin plated



**Recommended PCB Layout**

**Note:** All part numbers are RoHS compliant.

**4 Position Connectors** (Continued)

**Receptacle Assembly,  
Right-Angle, Panel Mount,  
SMT**

**Part Number**  
**1318140-1**

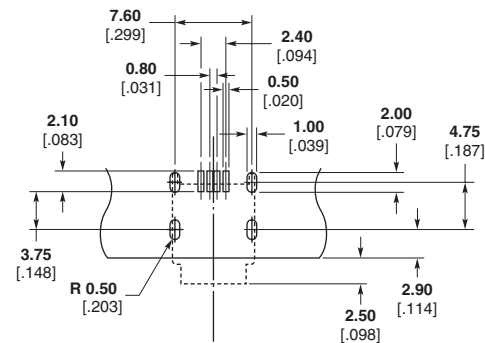
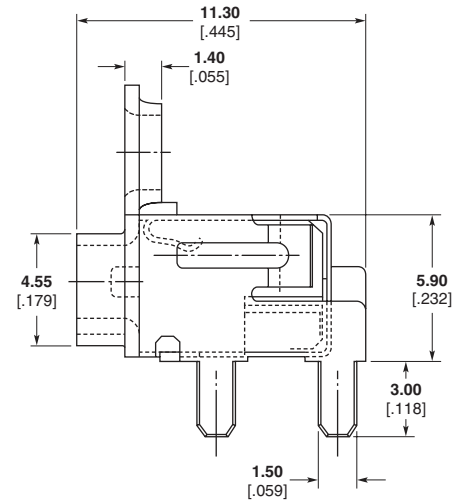
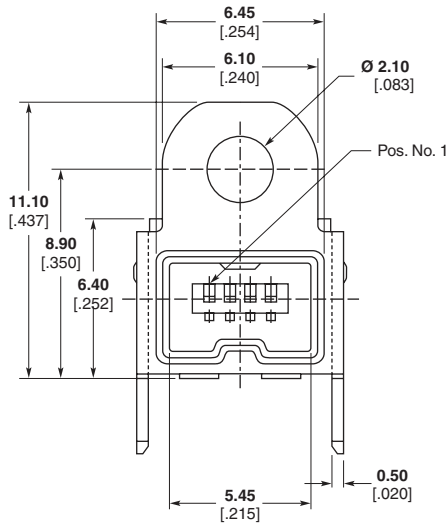
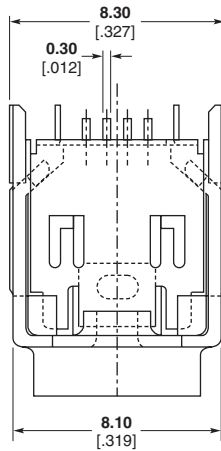
**Material and Finish**

**Housing** — Thermoplastic, UL94V-0, black

**Contact** — Copper alloy, gold and tin plated, nickel underplated

**Front Shell** — Copper alloy, tin plated

**Back Shell** — Copper alloy, tin plated



**Recommended PCB Layout**

**Note:** All part numbers are RoHS compliant.

**4 Position Connectors** (Continued)

**Receptacle Assembly, Right-Angle, SMT**

**Part Number**  
1734194-1

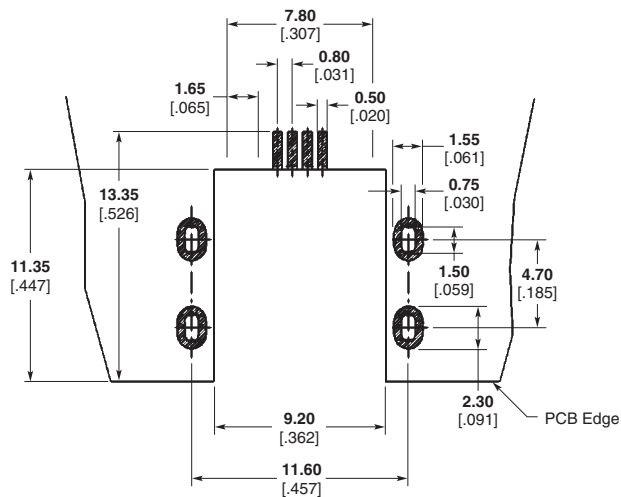
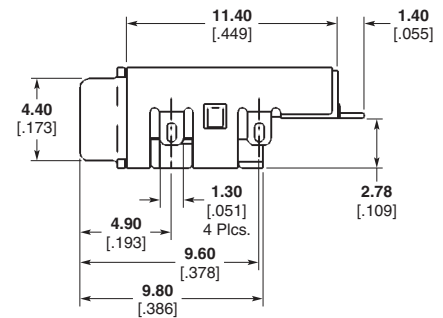
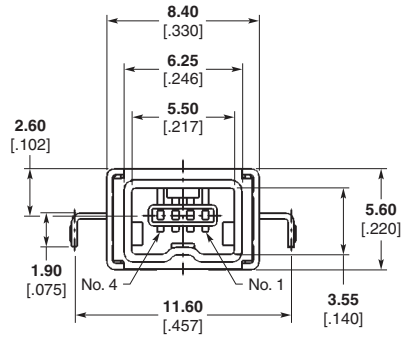
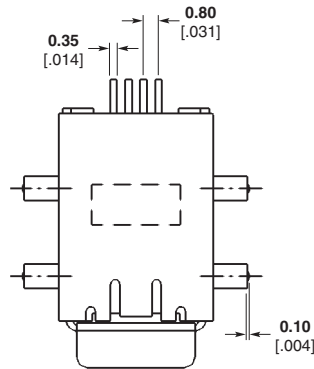
**Material and Finish**

**Housing** — Thermoplastic, UL94V-0, black

**Contact** — Copper alloy, gold and tin plated, nickel underplated

**Front Shell** — Steel alloy, nickel plated

**Back Shell** — Copper alloy, nickel plated



**Recommended PCB Layout**

**Note:** All part numbers are RoHS compliant.

**4 Position Connectors** (Continued)

**Receptacle Assembly,  
Right-Angle, Panel Mount,  
Thru-Hole**

**Panel Mount Type with Boss (Pattern B)**

**Panel Mount Type  
With Boss (Mini)**

**Part Number**  
**353388-1**  
**1318138-1** (Emboss Tape & Reel)

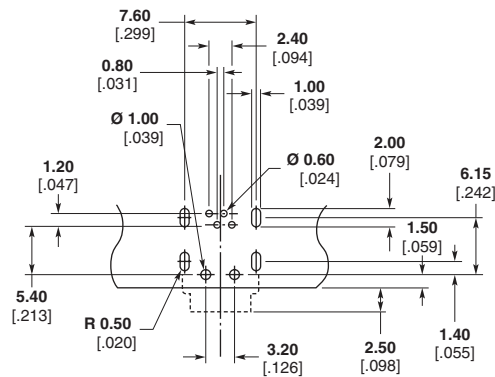
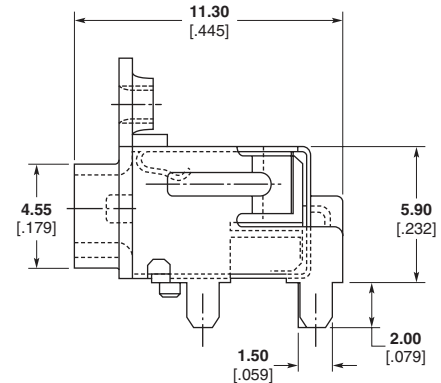
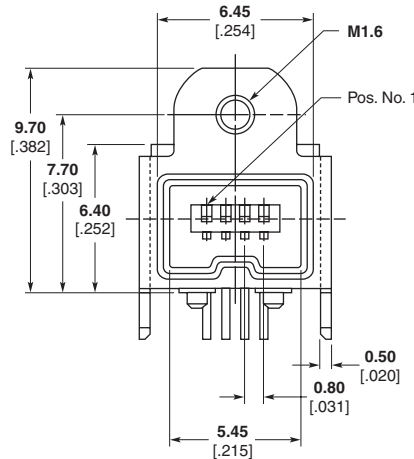
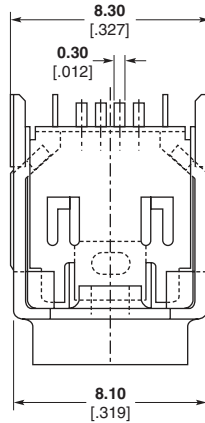
**Material and Finish**

**Housing** — Thermoplastic, UL94V-0,  
black

**Contact** — Copper alloy, gold and tin  
plated, nickel underplated

**Front Shell** — Copper alloy, tin plated

**Back Shell** — Copper alloy, tin plated



**Recommended PCB Layout**

**Note:** All part numbers are RoHS compliant.

**4 Position Connectors** (Continued)

**Receptacle Assembly,  
Right-Angle, Panel Mount,  
Thru-Hole**

**Panel Mount Type with Boss (Pattern B)**

**Panel Mount Type  
With Boss (Mini)**

**Part Number  
1123843-1**

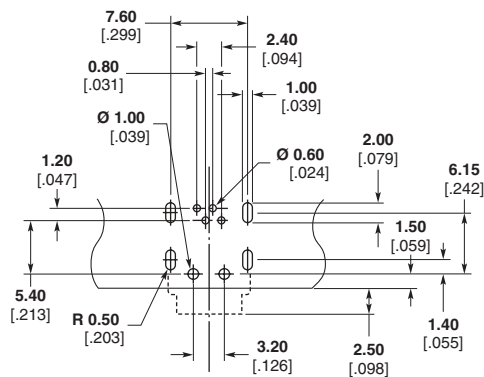
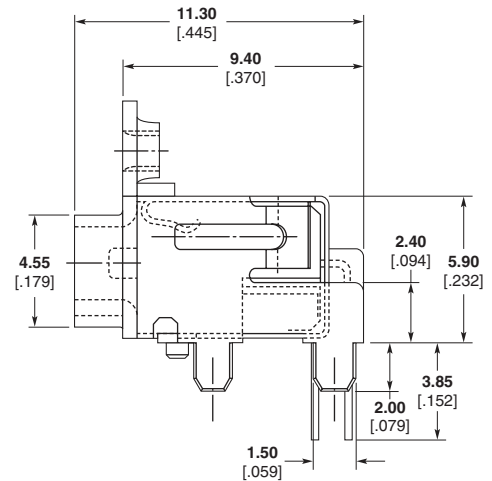
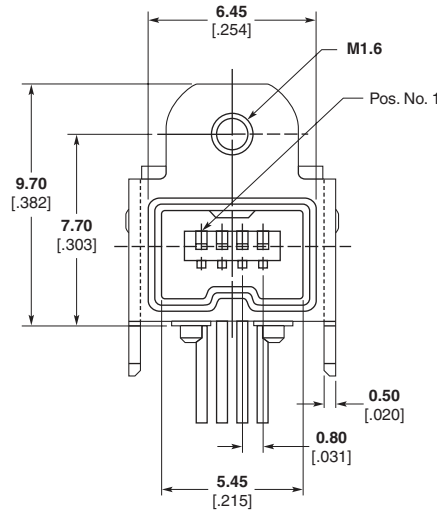
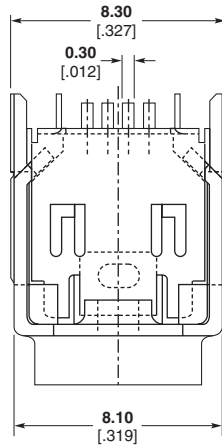
**Material and Finish**

**Housing** — Thermoplastic, UL94V-0, black

**Contact** — Copper alloy, gold and tin plated, nickel underplated

**Front Shell** — Copper alloy, tin plated

**Back Shell** — Copper alloy, tin plated



**Recommended PCB Layout**

**Note:** All part numbers are RoHS compliant.

**4 Position Connectors** (Continued)

**Receptacle Assembly,  
Edge Mount, Thru-Hole,  
DIP**

**Part Number**  
**1734681-1**

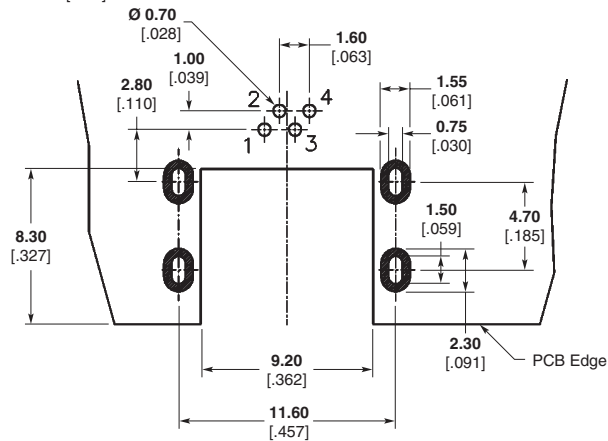
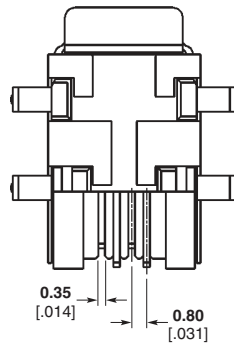
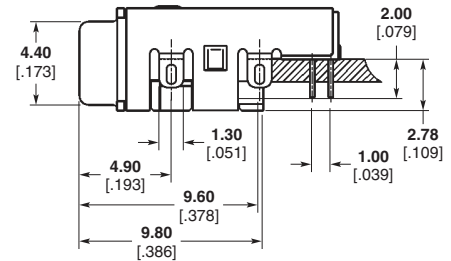
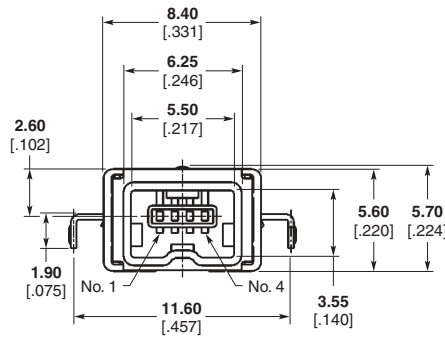
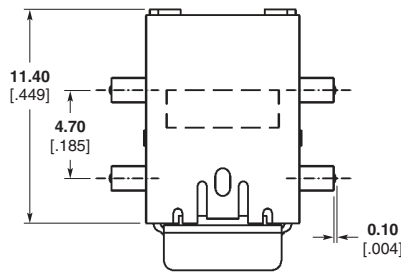
**Material and Finish**

**Housing** — Thermoplastic, UL94V-0, black

**Contact** — Copper alloy, gold and bright tin plated, nickel underplated

**Front Shell** — Steel, nickel plated, copper underplated

**Back Shell** — Copper alloy, nickel plated, copper underplated



**Recommended PCB Layout**

**Note:** All part numbers are RoHS compliant.

**4 Position Connectors** (Continued)

**Receptacle Assembly,  
Right-Angle, Thru-Hole,  
DIP, 2 Port Stacked**

**Part Number**  
**1674260-1**

**Material and Finish**

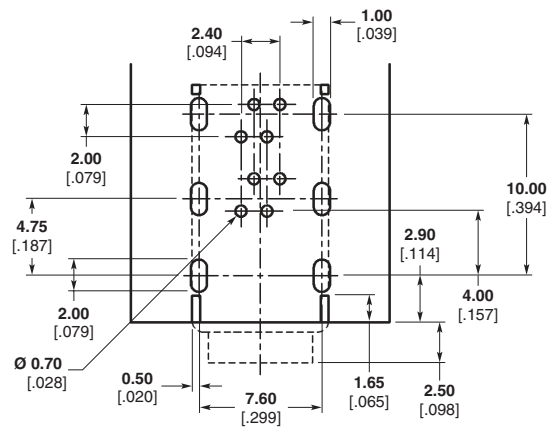
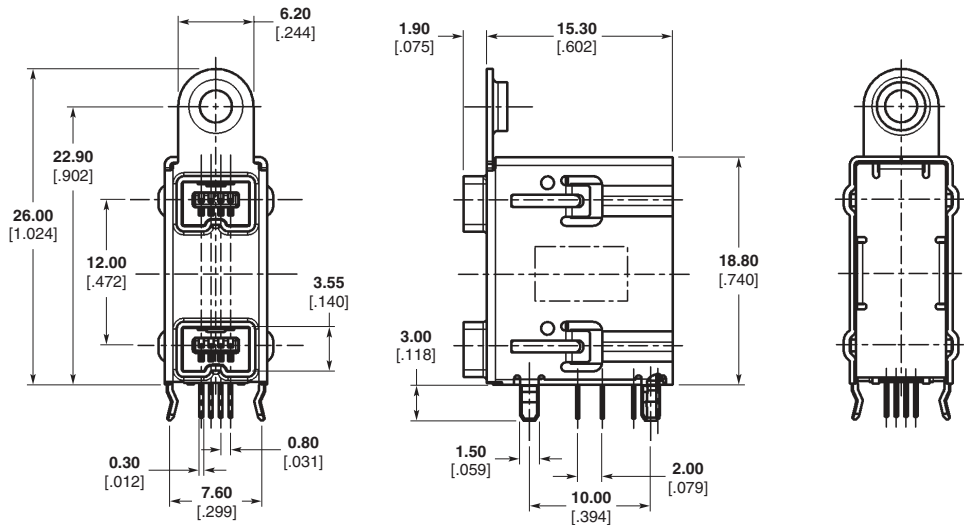
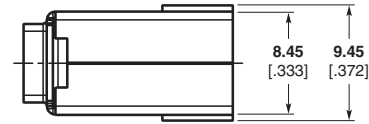
**Housing** — Thermoplastic, UL94V-0, black

**Contact** — Copper alloy, gold and tin plated, nickel underplated

**Front Shell** — Copper alloy, tin plated, nickel underplated

**Back Shell** — Copper alloy, tin plated, nickel underplated

**Back Cover** — Copper alloy, tin plated, nickel underplated



**Recommended PCB Layout**

**Note:** All part numbers are RoHS compliant.



**4 Position Connectors** (Continued)

**Cable Kit**

**Part Number**  
**1717700-1**

**Material and Finish**

**Sub Assembly,**

**Housing** — Thermoplastic, UL94V-0, black

**Spacer** — Thermoplastic, UL94V-0, black

**Contact** — Copper alloy, gold plated, nickel underplated

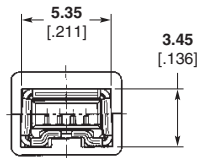
**Lower Cover** — Thermoplastic, UL94V-0, black

**Upper Cover** — Thermoplastic, UL94V-0, black

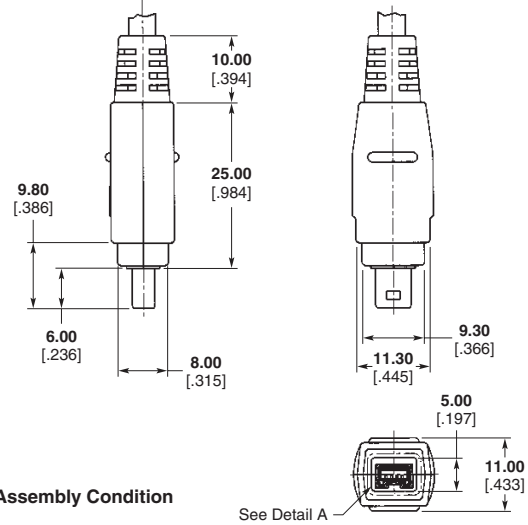
**Lower Shield Case** — Copper alloy, tin plated

**Upper Shield Case** — Copper alloy, tin plated

**Bushing** — Thermoplastic, black



**Detail A**



**Assembly Condition**

**Note:** All part numbers are RoHS compliant.

## 9 Position Connectors

### Receptacle Assembly, Right-Angle, SMT

Description	Part Number	Orientation	SMT / Thru-Hole	Color	T/L	Page Number
Receptacle	1734047-1	Right-Angle	SMT	Black	SMT	18
Plug	1775021-1	Cable Plug	N/A	Black	N/A	19

### Part Number 1734047-1

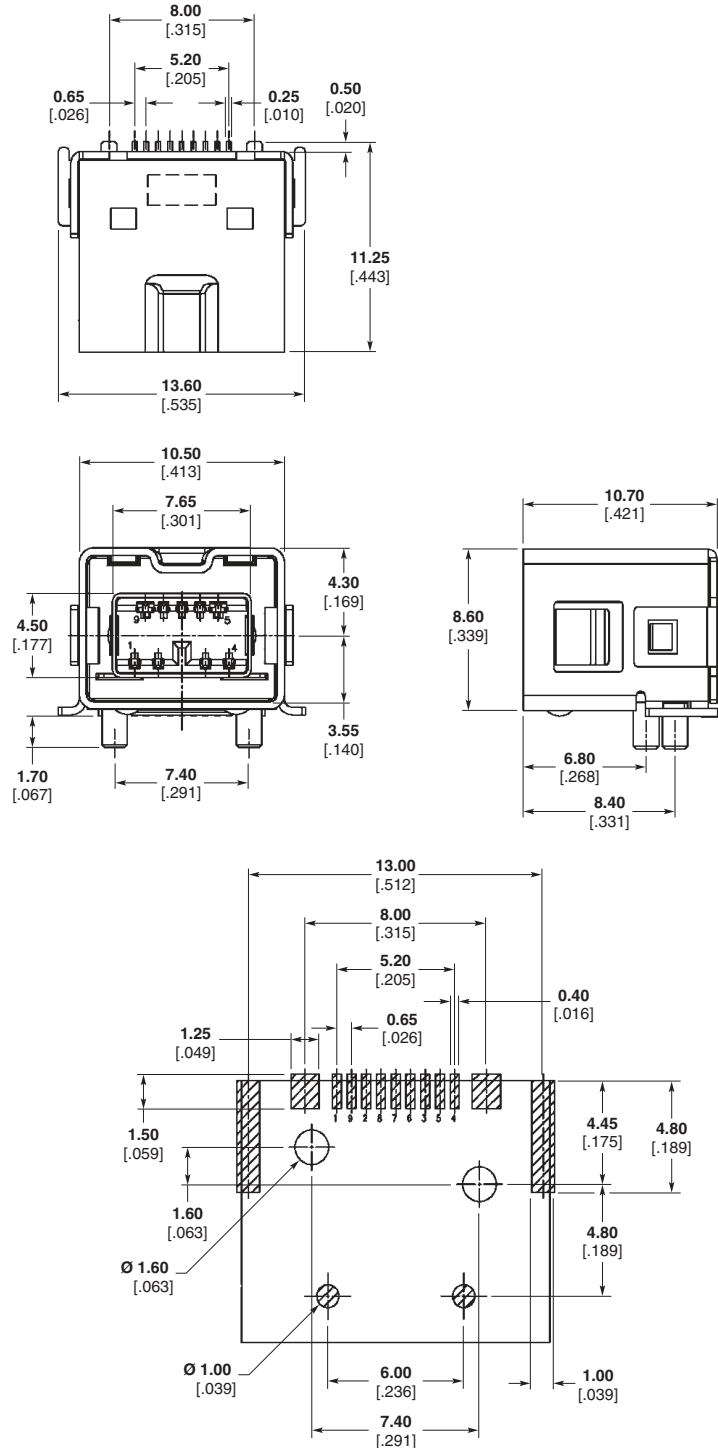
#### Material and Finish

**Housing** — Thermoplastic, UL94V-0, black

**Contact** — Copper alloy, gold and tin plated, nickel underplated

**Inner Shell** — Copper alloy, tin plated, copper underplated

**Outer Shell** — Copper alloy, tin plated, copper underplated



Recommended PCB Layout

**Note:** All part numbers are RoHS compliant.

---

## 9 Position Connectors (Continued)

---

**Part Number**  
**1775021-1**  
**(Plug Kit — Unassembled)**

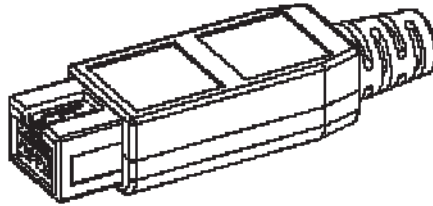
**Material and Finish**

**Housings** — Thermoplastic, UL94V-0, black

**Contact** — Copper alloy, gold and tin plated, nickel underplated

**Shells** — Copper alloy, nickel over copper plating

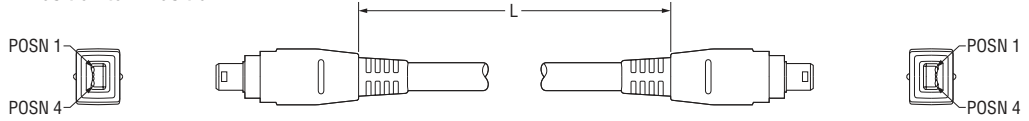
**Back Shell** — Steel, nickel over copper plating



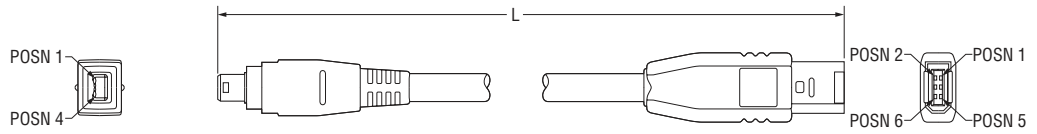
**Note:** All part numbers are RoHS compliant.

**Cable Assemblies**

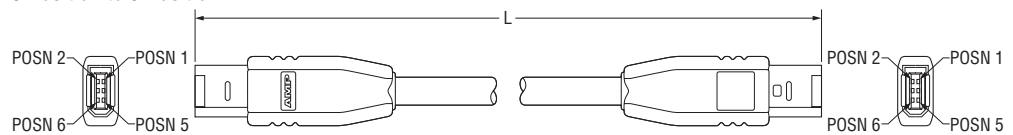
**4-Position to 4-Position**



**4-Position to 6-Position**



**6-Position to 6-Position**



	Length (m) : L	Part Number
4-Position to 4-Position	0.5	1123076-5
	1.0	1-1123076-0
	1.5	1-1123076-5
	2.0	2-1123076-0
	2.5	2-1123076-5
	3.0	3-1123076-0
	3.5	3-1123076-5
	4.0	4-1123076-0
	4.5	4-1123076-5
4-Position to 6-Position	0.3	1324771-1
	0.5	1324771-2
	0.7	1324771-3
	1.0	1324771-4
	2.0	1324771-5
	4.5	1324771-6
6-Position to 6-Position	0.3	1324770-1
	0.5	1324770-2
	0.7	1324770-3
	1.0	1324770-4
	2.0	1324770-5
	4.5	1324770-6

**Note:** All part numbers are RoHS compliant.

## Part Number Index

**Note:** This index lists all cataloged parts by base no. only. Complete part nos. (with prefixes and/or suffixes) are shown on the page(s) indicated.

Part No.	Page	Part No.	Page	Part No.	Page
353388	7, 13	1324770	20	1734290	2, 4
1123076	20	1324771	20	1734368	2, 3
1123843	7, 14	1674260	7, 16	1734681	7, 15
1318138	7, 13	1717700	7, 17	1775021	18, 19
1318140	7, 11	1734047	18	5787950	2, 6
1318141	7, 10	1734056	7, 8	5787956	2, 5
1318714	7, 9	1734194	7, 12	5788516	2

**Note:** All part numbers are RoHS compliant.

**Americas**

**Argentina** — Buenos Aires  
Phone: +54-11-4733-2200  
Fax: +54-11-4733-2211

**Brasil** — São Paulo  
Phone: +55-11-2103-6000  
Fax: +55-11-2103-6030

**Chile** — Santiago  
Phone: +56-2-345-0361  
Fax: +56-2-223-1477

**Canada** — Toronto  
Phone: +905-475-6222  
Fax: +905-474-5520  
**Product Information Center:**  
Phone: +905-470-4425  
Fax: +905-474-5525

**Colombia** — Bogota  
Phone: +57-1-319-8959  
Fax: +57-1-319-8960

**Mexico** — Mexico City  
Phone: +52-55-1106-0800  
+01-800-733-8926  
Fax: +52-55-1106-0901

**For Latin/South American Countries not shown**  
Phone: +54-11-4733-2015  
Fax: +54-11-4733-2083

**United States**  
Harrisburg, PA  
Phone: +1-717-564-0100  
Fax: +1-717-986-7575  
**Product Information Center:**  
Phone: +1-800-522-6752  
Fax: +1-717-986-7575  
Troy, MI  
Phone: +1-248-273-3359  
Fax: +1-248-273-3322

**Asia/Pacific**

**Australia** — Sydney  
Phone: +61-2-9554-2600  
Fax: +61-2-9502-2556  
**Product Information Center:**  
Phone: +61-2-9840-8200  
Fax: +61-2-9634-6188

**India** — Bangalore  
Phone: +91-80-285-40800  
Fax: +91-80-285-40820

**Indonesia** — Jakarta  
Phone: +65-6482-0311  
Fax: +65-6482-1012

**Japan** — Kawasaki, Kanagawa  
Phone: +81-44-844-8111  
Fax: +81-44-812-3207  
**Product Information Center:**  
Phone: +81-44-844-8013  
Fax: +81-44-812-3200

**Korea** — Seoul  
Phone: +82-2-3415-4500  
Fax: +82-2-3486-3810

**Malaysia** — Selangor  
Phone: +60-3-7805-3055  
Fax: +60-3-7805-3066

**New Zealand** — Auckland  
Phone: +64-9-634-4580  
Fax: +64-9-634-4586

**Philippines** — Makati City  
Phone: +632-848-0171  
Fax: +632-867-8661

**People's Republic of China**  
Hong Kong  
Phone: +852-2735-1628  
Fax: +852-2735-0243  
Shanghai  
Phone: +86-21-2407-1588  
Fax: +86-21-2407-1599

**Singapore** — Singapore  
Phone: +65-6482-0311  
Fax: +65-6482-1012

**Taiwan** — Taipei  
Phone: +886-2-8768-2788  
Fax: +886-2-8768-2268

**Thailand** — Bangkok  
Phone: +66-2-955-0500  
Fax: +66-2-955-0505

**Vietnam** — Ho Chi Minh City  
Phone: +84-8-930-5546  
Fax: +84-8-930-3443

**Europe/Middle East/Africa**

**Austria** — Vienna  
Phone: +43-1-905-60-0  
Fax: +43-1-905-60-1333  
**Product Information Center:**  
Phone: +43-1-905-60-1249  
Fax: +43-1-905-60-1251

**Belarus** — Minsk  
Phone: +375 17 237 47 94  
Fax: +375 17 237 47 94

**Belgium** — Kessel-Lo  
Phone: +32-16-352-300  
Fax: +32-16-352-355

**Bulgaria** — Sofia  
Phone: +359-2-971-2152  
Fax: +359-2-971-2153

**Czech Republic and Slovakia**  
**Czech Republic** — Kurim  
Phone: +420-541-162-111  
Fax: +420-541-162-223  
**Product Information Center:**  
Phone: +420-541-162-113  
Fax: +420-541-162-132

**Denmark** — Glostrup  
Phone: +45-43-48-04-00  
Fax: +45-43-44-14-14

**Egypt** — Cairo  
Phone: +202-419-2334  
Fax: +202-417-7647

**Estonia** — Tartu  
Phone: +372-5138-274  
Fax: +372-7400-779

**Finland** — Helsinki  
Phone: +358-95-12-34-20  
Fax: +358-95-12-34-250

**France** — Cergy-Pontoise Cedex  
Phone: +33-1-3420-8888  
Fax: +33-1-3420-8600  
**Product Information Center:**  
Phone: +33-1-3420-8686  
Fax: +33-1-3420-8623

**France Export Divisions** —  
Cergy-Pontoise Cedex  
Phone: +33-1-3420-8804  
Fax: +33-1-3420-8699

**Germany** — Bensheim  
Phone: +49-6251-133-0  
Fax: +49-6251-133-1600  
**Product Information Center:**  
Phone: +49-6251-133-1999  
Fax: +49-6251-133-1988

**Greece** — Athens  
Phone: +30-210-9370-396/397  
Fax: +30-210-9370-655

**Hungary** — Budapest  
Phone: +36-1-289-1000  
Fax: +36-1-289-1010  
**Product Information Center:**  
Phone: +36-1-289-1016  
Fax: +36-1-289-1017

**Ireland** — Dublin  
Phone: +353-1-866-5612  
Fax: +353-1-866-5714

**Israel** — Petach-Tikva  
Phone: +972-3-929-0999  
Fax: +972-3-919-1088

**Italy** — Collegno (Torino)  
Phone: +39-011-4012-111  
Fax: +39-011-4031-116  
**Product Information Center:**  
Phone: +39-011-4012-428  
Fax: +39-011-40-287-428

**Lithuania and Latvia**  
**Lithuania** — Vilnius  
Phone: +370-5-213-1402  
Fax: +370-5-213-1403  
**Product Information Center:**  
Phone: +370-5-211-3016  
Fax: +370-5-213-1403

**Netherlands** — s-Hertogenbosch  
Phone: +31-73-6246-246  
Fax: +31-73-6212-365  
**Product Information Center:**  
Phone: +31-73-6246-999  
Fax: +31-73-6246-998

**Norway** — Nesbru  
Phone: +47-66-77-88-50  
Fax: +47-66-77-88-55

**Poland** — Warsaw  
Phone: +48-22-4576-700  
Fax: +48-22-4576-720  
**Product Information Center:**  
Phone: +48-22-4576-704  
Fax: +48-22-4576-720

**Romania** — Bucharest  
Phone: +40-21-311-3479/3596  
Fax: +40-21-312-0574

**Russia** — Moscow  
Phone: +7-495-790-7902  
Fax: +7-495-721-1893  
**Product Information Center:**  
Phone: +7-495-790-7902-404  
Fax: +7-495-790-7902-401

**Russia** — St. Petersburg  
Phone: +7-812-718-8192  
Fax: +7-812-718-8193

**Slovenia** — Ljubljana  
Phone: +386-1561-3270  
Fax: +386-1561-3240

**South Africa** — Port Elizabeth  
Phone: +27-41-503-4500  
Fax: +27-41-581-0440

**Spain** — Barcelona  
Phone: +34-93-291-0330  
Fax: +34-93-201-7879

**Sweden** — Upplands V. by  
Phone: +46-8-50-72-50-00  
Fax: +46-8-50-72-50-01

**Switzerland** — Steinach  
Phone: +41-71-447-0447  
Fax: +41-71-447-0444

**Turkey** — Istanbul  
Phone: +90-212-281-8181/2/3  
+90-212-282-5130/5430  
Fax: +90-212-281-8184

**Ukraine** — Kiev  
Phone: +380-44-206-2265  
Fax: +380-44-206-2264  
**Product Information Center:**  
Phone: +380-44-206-2265  
Fax: +380-44-206-2264

**United Kingdom** —  
Stanmore, Middlesex  
Phone: +44-8706-080208  
Fax: +44-208-954-6234  
**Product Information Center:**  
Freephone (UK only):  
0800-267-666  
Phone: +44-8706-080208  
Fax: +44-208-420-8095