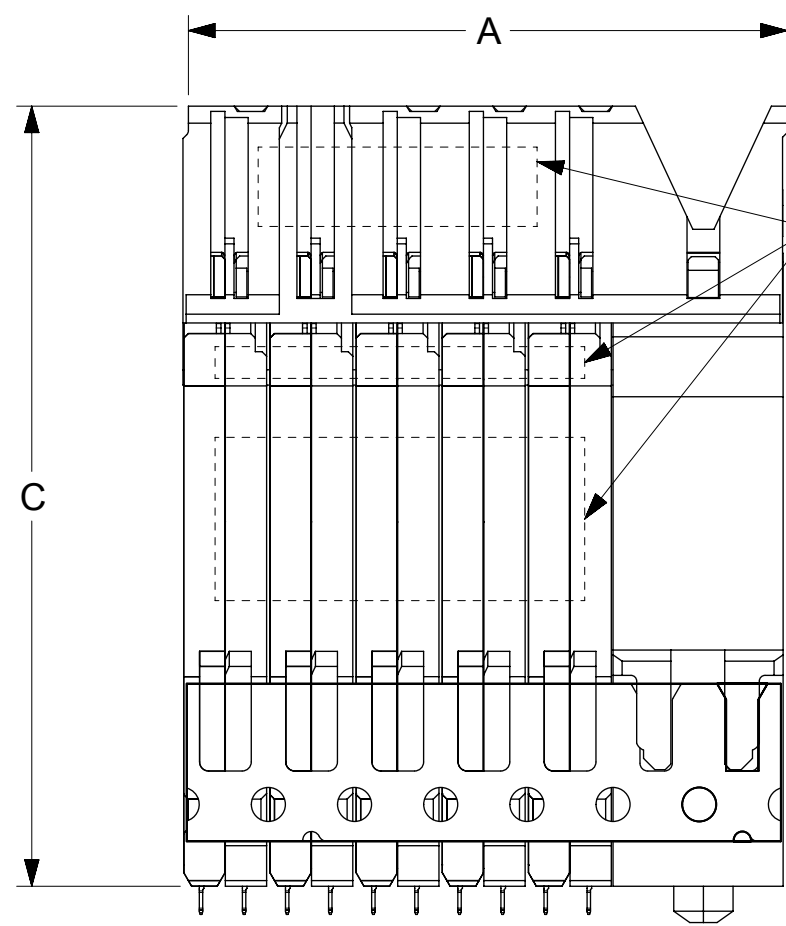
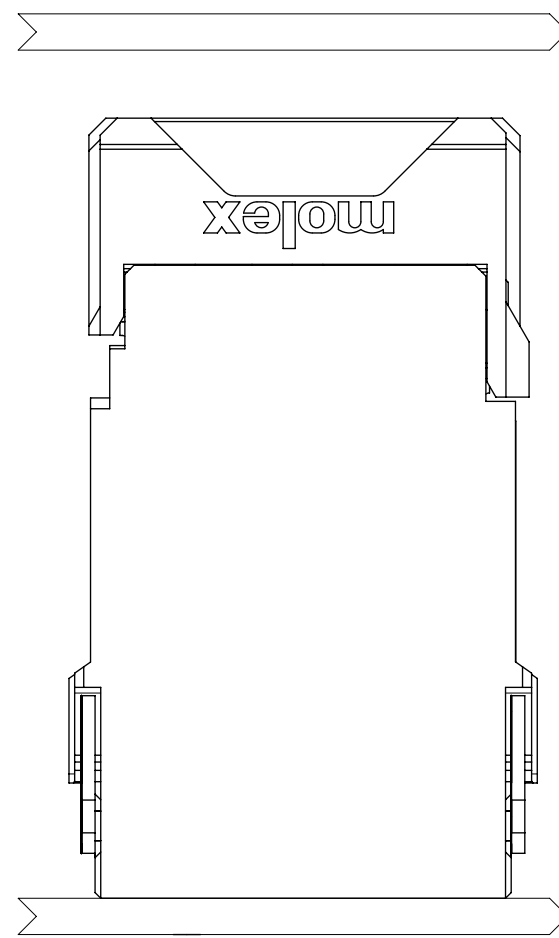


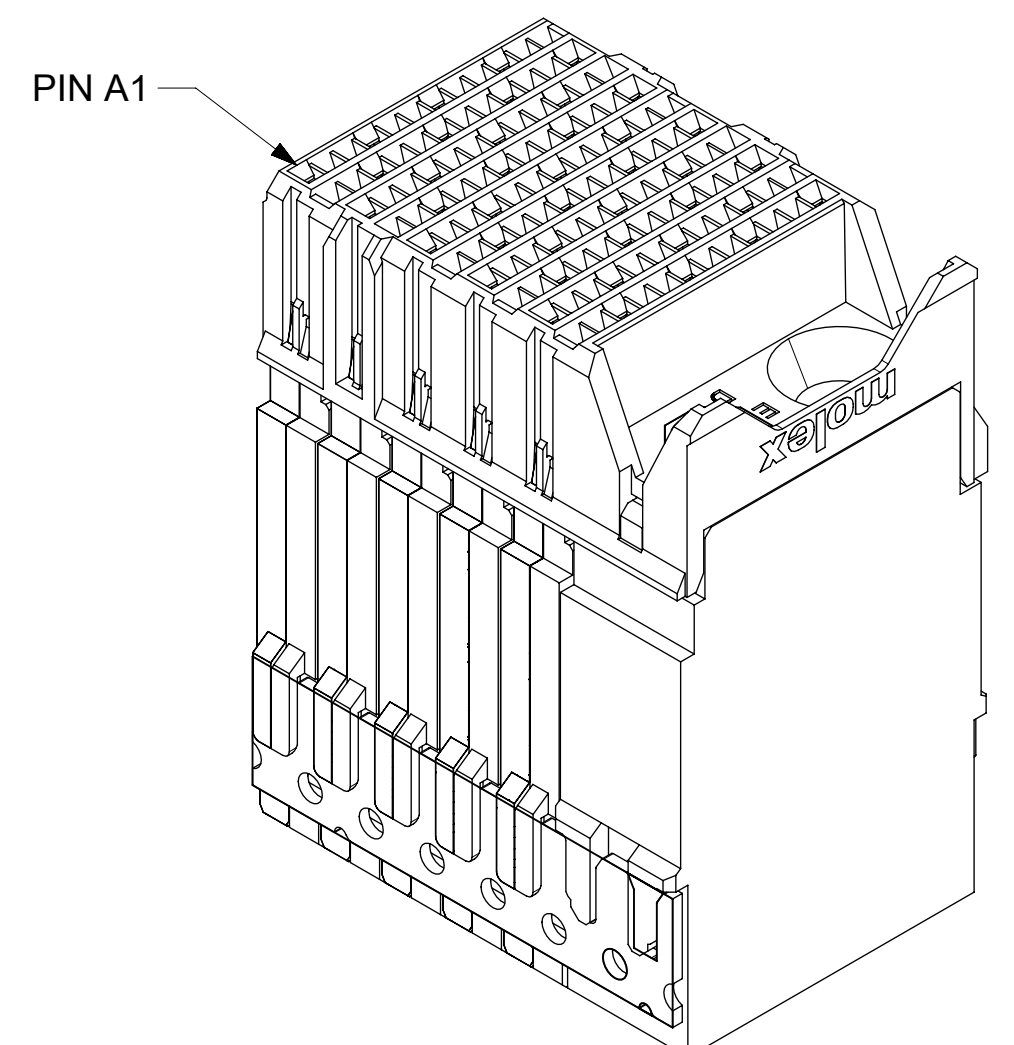
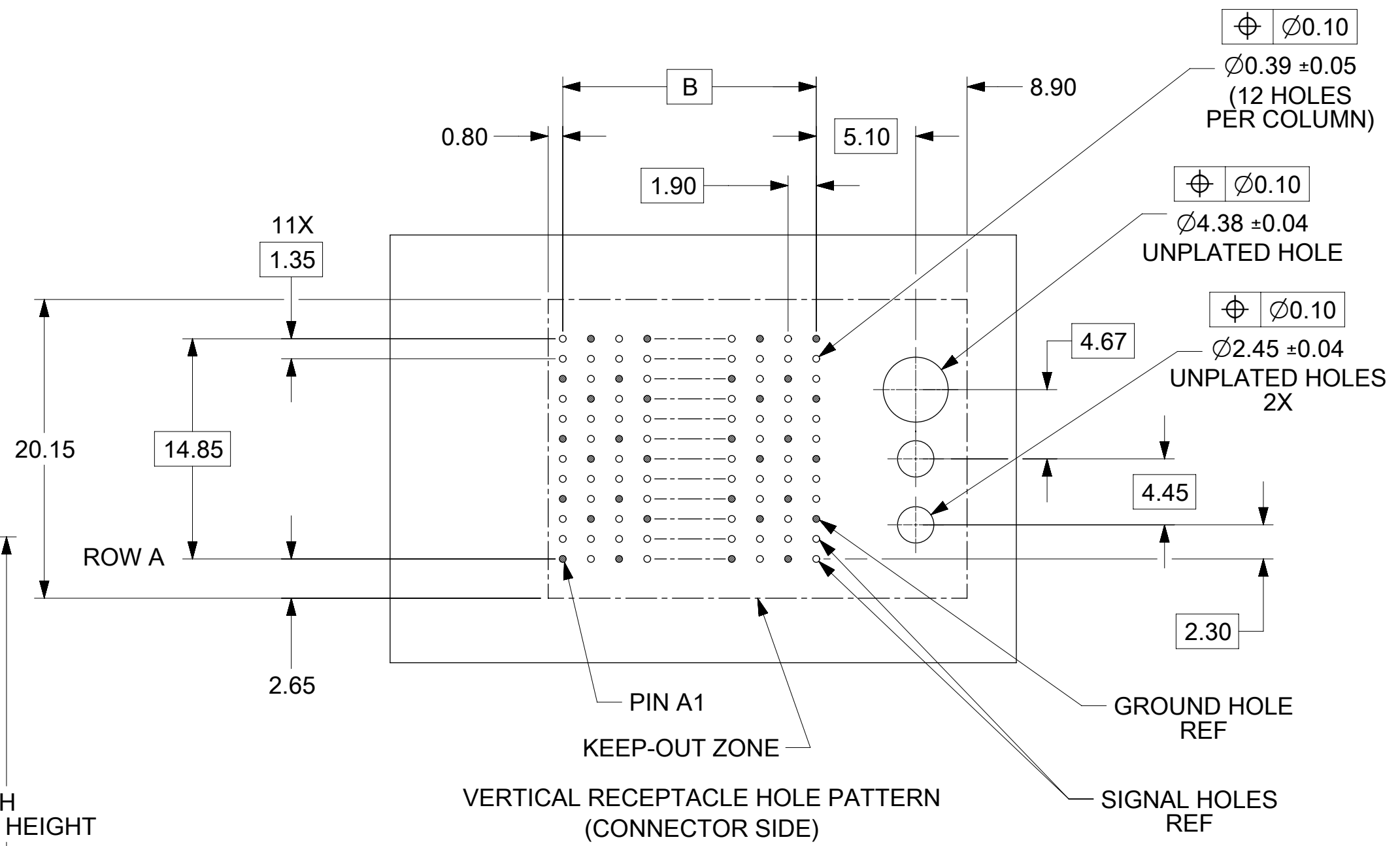
KEY SHOWN  
IN POSITION A



SEE NOTE 12



H  
STACK HEIGHT



- NOTES:
1. MATERIALS: HOUSING - LIQUID CRYSTAL POLYMER (LCP)  
GLASS-FILLED, UL94V-0  
TERMINALS - HIGH PERFORMANCE COPPER ALLOY
  2. FINISH: 30 μINCH MIN GOLD IN CONTACT AREA.  
SELECTIVE MATTE TIN ON PCB TAILS. NICKEL OVERALL.
  3. REFER TO MOLEX PRODUCT SPECIFICATION PS-76060-999 FOR PERFORMANCE SPECIFICATIONS AND ADDITIONAL PCB INFORMATION.
  4. EACH SIGNAL WAFER CONTAINS 2 COLUMNS OF TERMINALS.
  5. SEE CHART FOR PACKAGING SPECIFICATIONS.
  6. THIS PART CONFORMS TO CLASS B REQUIREMENTS OF COSMETIC SPEC PS-45499-002.
  7. REFER TO MOLEX SALES DRAWING SD-170335-0003 FOR THE MATING HEADERS
  8. REFER TO MOLEX ROUTING PCB ROUTING GUIDE AS-76060-990 FOR ANTIPAD AND ROUTING RECOMMENDATIONS.
  9. GROUND PATHS ARE NOT DISCRETE WITHIN CONNECTOR DUE TO PRESENCE OF PLUS CLIP.
  10. PART NUMBER 170390-5130 SHOWN ON DRAWING. KEYING FEATURES WILL CHANGE WITH COLUMN SIZE.
  11. FOR SCREW PART NUMBER AND FUNCTIONAL BOARD THICKNESS REFER TO CHART ON SHEET 2. IN ORDER TO ACCOMMODATE ALTERNATE BOARD THICKNESSES PLEASE CONTACT MOLEX.
  12. MARKING: LOCATED APPROXIMATELY AS SHOWN. PART NUMBER AND DATE CODE.

THIS DRAWING CONTAINS INFORMATION THAT IS PROPRIETARY TO MOLEX ELECTRONIC TECHNOLOGIES, LLC AND SHOULD NOT BE USED WITHOUT WRITTEN PERMISSION																			
DIMENSION UNITS		SCALE		CURRENT REV DESC: CORRECTED TYPO IN NOTE 7															
MM		NTS		<p>IMPACT 4-PAIR 85-OHM RIGHT GUIDE MEZZANINE SALES DRAWING</p> <p>PRODUCT CUSTOMER DRAWING</p> <table border="1"> <tr> <td colspan="2">DOCUMENT NUMBER</td> <td>DOC TYPE</td> <td>DOC PART</td> <td>REVISION</td> </tr> <tr> <td colspan="2">SD-170390-0003</td> <td>PSD</td> <td>001</td> <td>A5</td> </tr> </table>						DOCUMENT NUMBER		DOC TYPE	DOC PART	REVISION	SD-170390-0003		PSD	001	A5
DOCUMENT NUMBER		DOC TYPE	DOC PART							REVISION									
SD-170390-0003		PSD	001							A5									
GENERAL TOLERANCES (UNLESS SPECIFIED)																			
ANGULAR TOL ± 0.5°																			
4 PLACES ±		EC NO: 629583																	
3 PLACES ±		DRWN: SKRISHNAMU01 2019/12/11																	
2 PLACES ± 0.13		CHK'D: CWANG25 2019/12/23																	
1 PLACE ± 0.25		APPR: STTAN 2021/02/04																	
0 PLACES ±		INITIAL REVISION:																	
DRAFT WHERE APPLICABLE MUST REMAIN WITHIN DIMENSIONS		THIRD ANGLE PROJECTION		DRAWING		SERIES		MATERIAL NUMBER											
		C-SIZE		170390		SEE CHART		CUSTOMER											
						GENERAL MARKET		SHEET NUMBER											
								1 OF 2											

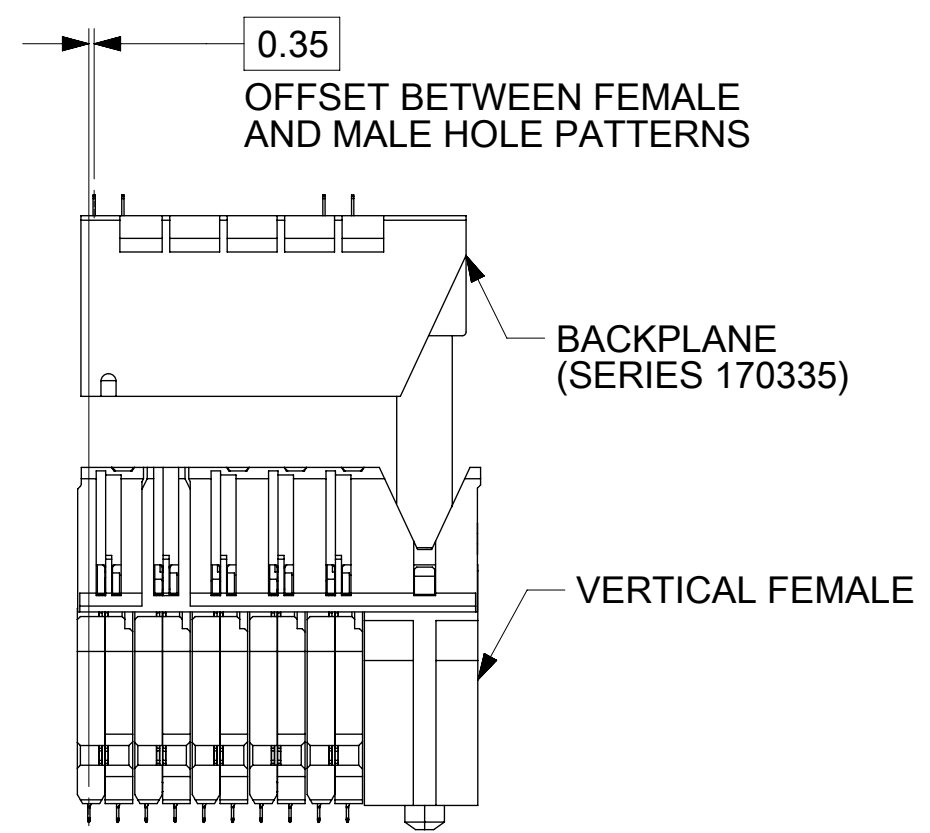
DOCUMENT STATUS	P1	RELEASE DATE	2021/02/04	03:13:18
-----------------	----	--------------	------------	----------

# PART NUMBER CHART

MATERIAL NUMBER	# OF COLUMNS	# OF DIFF PAIRS	DIM "A" MAX	DIM "B"	DIM "C"	DIM "D"	PACKAGING SPEC	SCREW P/N	FUNCTIONAL BOARD THICKNESS	18mm STACK HEIGHT (DIM H)
170390-5*03	6	24	19.0	9.5	15.36	19.41	PK-70873-4001	73726-0005	2.0mm TO 3.0mm	
170390-5*08	8	32	22.8	13.3						
170390-5*00	10	40	26.6	17.1						
170390-5*02	12	48	30.4	20.9						
170390-5*07	14	56	34.2	24.7						
170390-5*06	16	64	38.0	28.5						
170390-5*09	18	72	41.8	32.3						

MATERIAL NUMBER	# OF COLUMNS	# OF DIFF PAIRS	DIM "A" MAX	DIM "B"	DIM "C"	DIM "D"	PACKAGING SPEC	SCREW P/N	FUNCTIONAL BOARD THICKNESS	25mm STACK HEIGHT (DIM H)
170390-5*28	8	32	22.8	13.3	22.36	19.41	PK-70873-4002	73726-0000	1.0mm TO 5.0mm	
170390-5*20	10	40	26.6	17.1						
170390-5*22	12	48	30.4	20.9						
170390-5*27	14	56	34.2	24.7						
170390-5*26	16	64	38.0	28.5						
170390-5*29	18	72	41.8	32.3						

MATERIAL NUMBER	# OF COLUMNS	# OF DIFF PAIRS	DIM "A" MAX	DIM "B"	DIM "C"	DIM "D"	PACKAGING SPEC	SCREW P/N	FUNCTIONAL BOARD THICKNESS	37mm STACK HEIGHT (DIM H)
170390-5*38	8	32	22.8	13.3	34.36	20.65	PK-70873-0044	73726-0000	1.0mm TO 5.0mm	
170390-5*30	10	40	26.6	17.1						
170390-5*32	12	48	30.4	20.9						
170390-5*37	14	56	34.2	24.7						
170390-5*36	16	64	38.0	28.5						
170390-5*39	18	72	41.8	32.3						



## PART NUMBER LOGIC

170390-\*\*\*\*

MODULE AND TAIL PLATING TYPE  
5 = GUIDE RIGHT, MATTE TIN

KEY ORIENTATION

- 0 = NO KEY
- 1 = A      5 = E
- 2 = B      6 = F
- 3 = C      7 = G
- 4 = D      8 = H

# OF COLUMNS

- 3 = 6 COL
- 8 = 8 COL
- 0 = 10 COL
- 2 = 12 COL
- 7 = 14 COL
- 6 = 16 COL
- 9 = 18 COL

STACK HEIGHT (H)

- 0 = 18mm
- 2 = 25mm
- 3 = 37mm

THIS DRAWING CONTAINS INFORMATION THAT IS PROPRIETARY TO MOLEX ELECTRONIC TECHNOLOGIES, LLC AND SHOULD NOT BE USED WITHOUT WRITTEN PERMISSION

DIMENSION UNITS	SCALE	CURRENT REV DESC: CORRECTED TYPO IN NOTE 7				
MM	NTS	NOTE 7				
GENERAL TOLERANCES (UNLESS SPECIFIED)		EC NO: 629583		IMPACT 4-PAIR 85-OHM		
ANGULAR TOL	± 0.5°	DRWN: SKRISHNAMU01 2019/12/11		RIGHT GUIDE MEZZANINE SALES DRAWING		
4 PLACES	±	CHK'D: CWANG25 2019/12/23		PRODUCT CUSTOMER DRAWING		
3 PLACES	±	APPR: STTAN 2021/02/04		DOCUMENT NUMBER		
2 PLACES	± 0.13	INITIAL REVISION:		DOC TYPE		
1 PLACE	± 0.25	DRWN: JBINGHAM 2013/04/04		DOC PART		
0 PLACES	±	APPR: JLAURX 2013/04/05		REVISION		
DRAFT WHERE APPLICABLE MUST REMAIN WITHIN DIMENSIONS		THIRD ANGLE PROJECTION		DRAWING		SERIES
				C-SIZE		170390
				MATERIAL NUMBER		CUSTOMER
				SEE CHART		GENERAL MARKET
				SHEET NUMBER		2 OF 2

DOCUMENT STATUS	P1	RELEASE DATE	2021/02/04 03:13:18
-----------------	----	--------------	---------------------