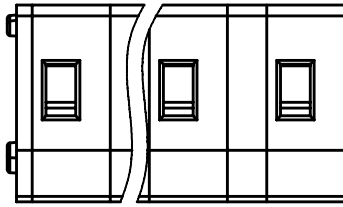



|      |      |   |          |
|------|------|---|----------|
| SIGN | DATE | DESCRIPTION   | APPROVER |
|      |      | <i>THIS IS CAD DRAWING, DO NOT REVISE MANUALLY!!!</i> |          |



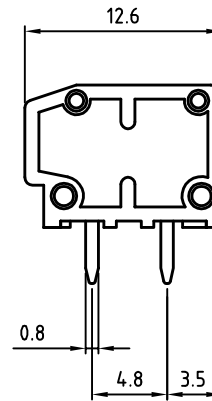
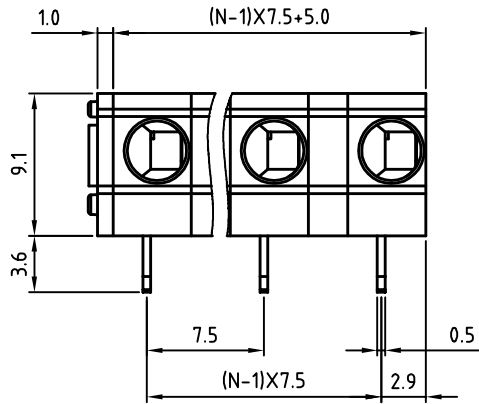
**Material**

- Terminal body (Contact pin): Brass
- Wire guard: Stainless steel
- Surface of solder tail: Tin plated
- Insulator (housing): Thermoplastic (UL94V-0)

**Electrical cULus**

- Voltage rating: 300VAC
- Current rating: 10A
- Wire range:
  - Solid wire(AWG): 14-20
  - Stranded wire(AWG): 14-20
- Wire strip length: 6-7mm
- Withstanding Voltage: 1.6KV
- Operating temperature: -30°C to +105°C
- Soldering temperature: 250°C±10°C/5 Sec
- Safety Approval:  US

RoHS Compliant



N=NUMBER OF CONTACTS

**PART NUMBER**

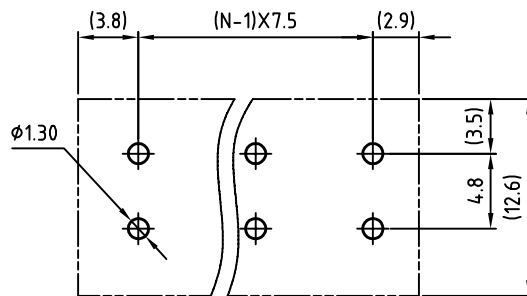
**OSTHBXX2181**

No. of Poles

- 02 2 Poles
- 03 3 Poles
- ..
- 12 12 Poles

COLOR

- 0: Black
- 5: Green
- 6: Blue
- 8: Grey (Standard)



P.C.B. LAYOUT

THESE DRAWINGS AND SPECIFICATIONS ARE THE PROPERTY OF ON-SHORE TECHNOLOGY, INC. AND SHALL NOT BE REPRODUCED, COPIED OR USED IN ANY MANNER WITHOUT THE PRIOR WRITTEN CONSENT OF ON-SHORE TECHNOLOGY, INC.



|                       |                      |  |                      |              |           |       |  |
|-----------------------|----------------------|--|----------------------|--------------|-----------|-------|--|
| TITLE                 |                      | OSTHB - 7.5mm series single wire w/o lever |                      |              |           |       |  |
| PART NO.              | OSTHBXX2181          | DWG NO.                                    | OSTHBXX2181.DWG      |              |           |       |  |
| APPROVED              | CHECKED              | DESIGNED                                   | DRAWN                | CUST NO.     | Tolerance |       |  |
| Shi Jun<br>2006.11.01 | Marvin<br>2006.11.01 | Marvin<br>2006.11.01                       | Marvin<br>2006.11.01 |              | X.        | ±0.50 |  |
|                       |                      |  |                      |              | X.X       | ±0.30 |  |
|                       |                      |  |                      |              | X.XX      | ±0.10 |  |
|                       |                      |  |                      |              | X°        | ±1°   |  |
|                       |                      |  |                      | SHEET: 01/01 | REV: E    |       |  |