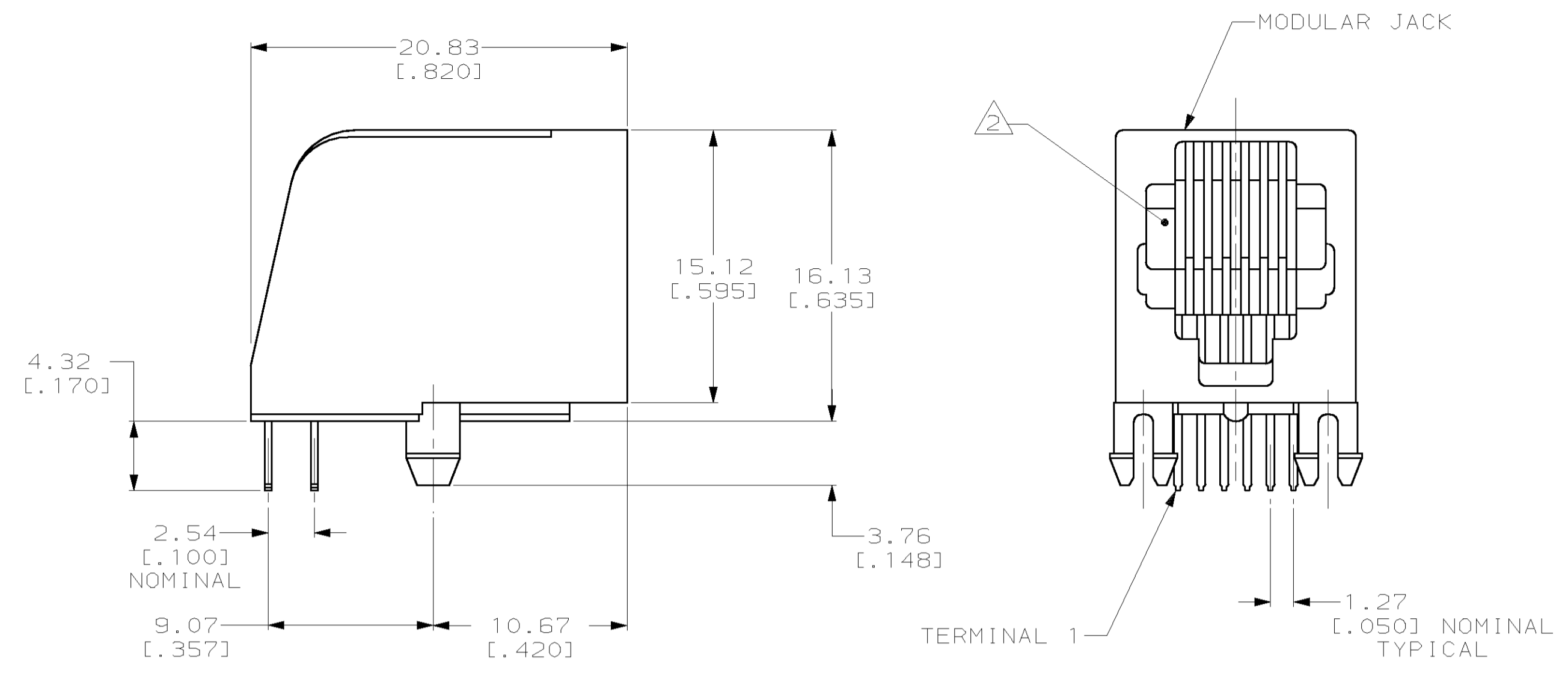
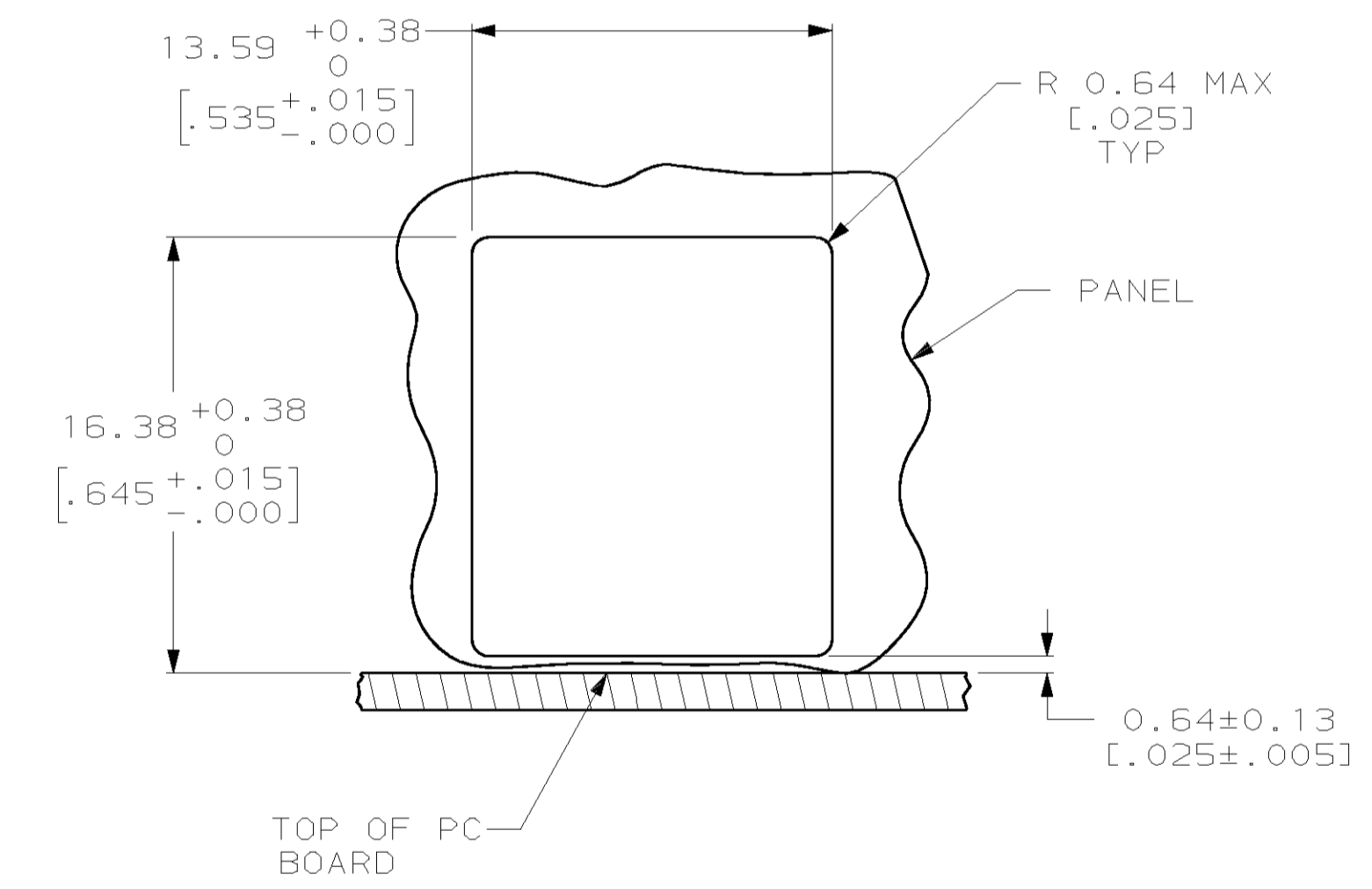
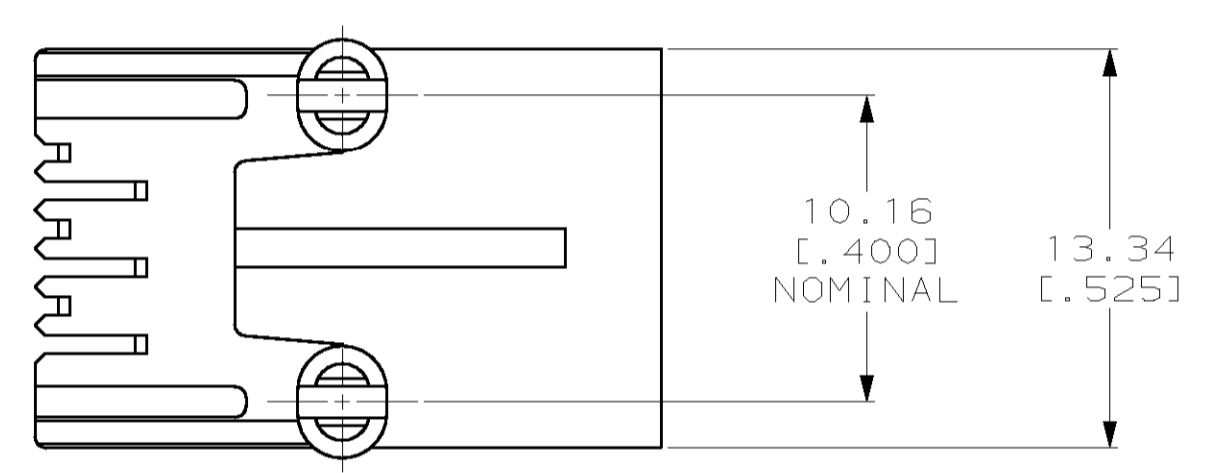


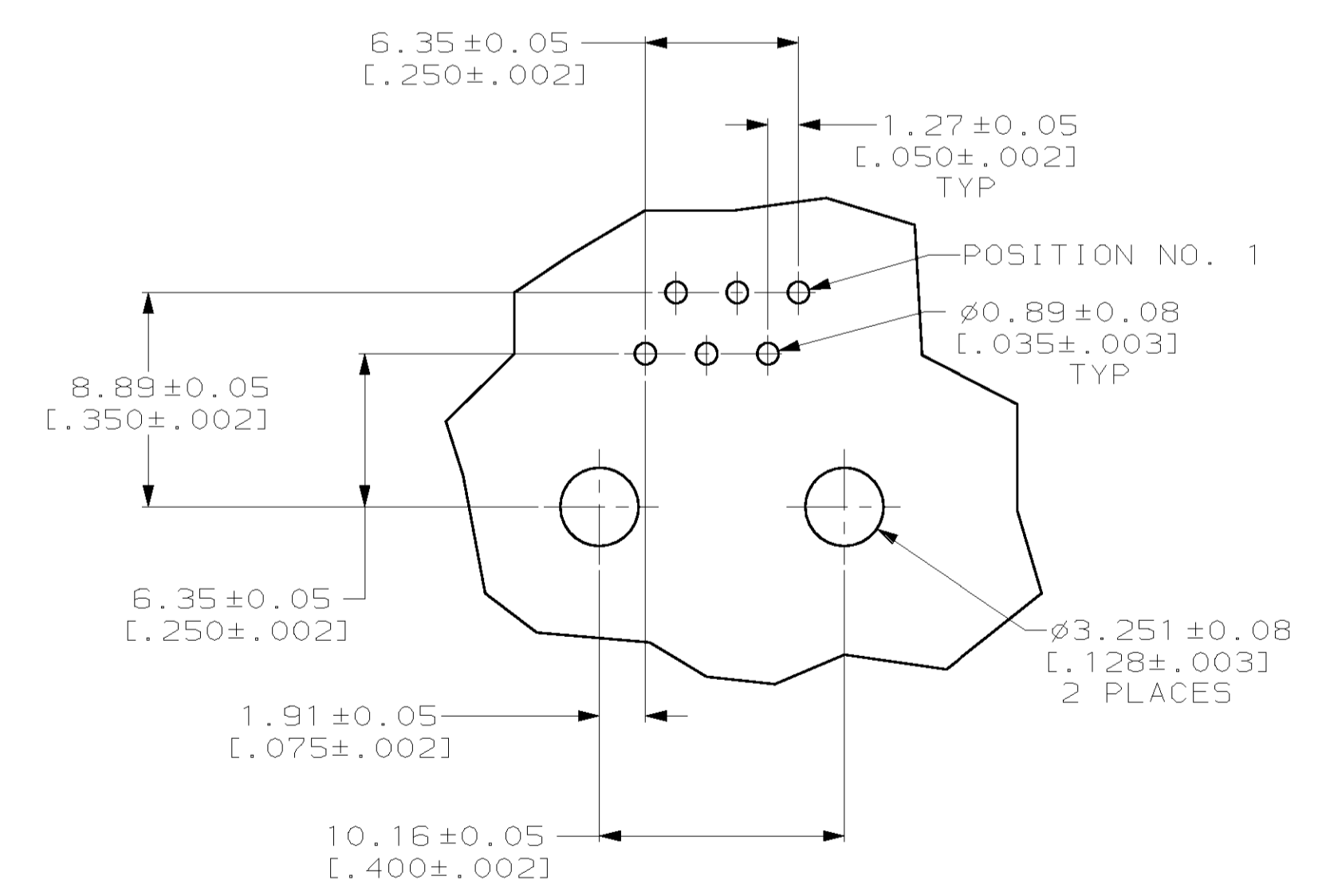
LOC	DIST	REV	DATE	BY	APPV
AA	22				
		REVISIONS			
		DESCRIPTION	DATE	BY	APPV
		G ADDED: -4; NPR C95-57 & EC 0210-0345-95	5-26-95	ST	BF



- 1 MATERIAL: HOUSING - PBT POLYESTER, BLACK  
 TERMINAL - 0.35 [.0138] THICK PHOS-BRONZE  
 PLATED WITH 1.27µm [.000050] MINIMUM THICK  
 HARD GOLD IN LOCALIZED GOLD PLATE AREA  
 AND 3.81µm [.000150] MINIMUM THICK TIN-  
 LEAD IN SOLDER AREA OVER 1.27µm [.000050]  
 MINIMUM THICK NICKEL UNDERPLATE.
- 2 CAVITY CONFORMS TO FCC RULES AND  
 REGULATIONS PART 68 AND REA BULLETIN  
 345-81, PE-76 SPECIFICATION FOR MODULAR  
 TELEPHONE HARDWARE.
- 3 DIMENSIONS ARE MAXIMUM UNLESS OTHERWISE  
 SPECIFIED.
- 4 TERMINALS LOCATED IN CENTER TWO POSITIONS  
 ARE FOR 520470-4.



PANEL CUTOUT



PRINTED CIRCUIT BOARD LAYOUT  
 NONCOMPONENT SIDE SHOWN

2 / 4	520470-4
6	520470-3
CONTACTS	PART NUMBER

THIS DRAWING IS A CONTROLLED DOCUMENT.		DWN S. TUCKER 5-26-95	AMP Incorporated Harrisburg, PA 17105-3608
DIMENSIONS: mm [INCHES]		CHK B. FOX 5-26-95	
TOLERANCES UNLESS OTHERWISE SPECIFIED:		APPV J. TONEY 5-26-95	NAME MODULAR JACK ASSEMBLY, SIDE ENTRY, 6 POSITION, FLANGELESS
0 PLC ± 1 PLC ± 2 PLC ± 3 PLC ± 4 PLC ± ANGLES ±		PRODUCT SPEC 108-1163	
MATERIAL		APPLICATION SPEC 114-2048	SIZE A1
FINISH		WEIGHT	CAGE CODE DRAWING NO 00779
CUSTOMER DRAWING		SCALE 4:1	RESTRICTED TO 520470
		SHEET 1 OF 1	REV 6