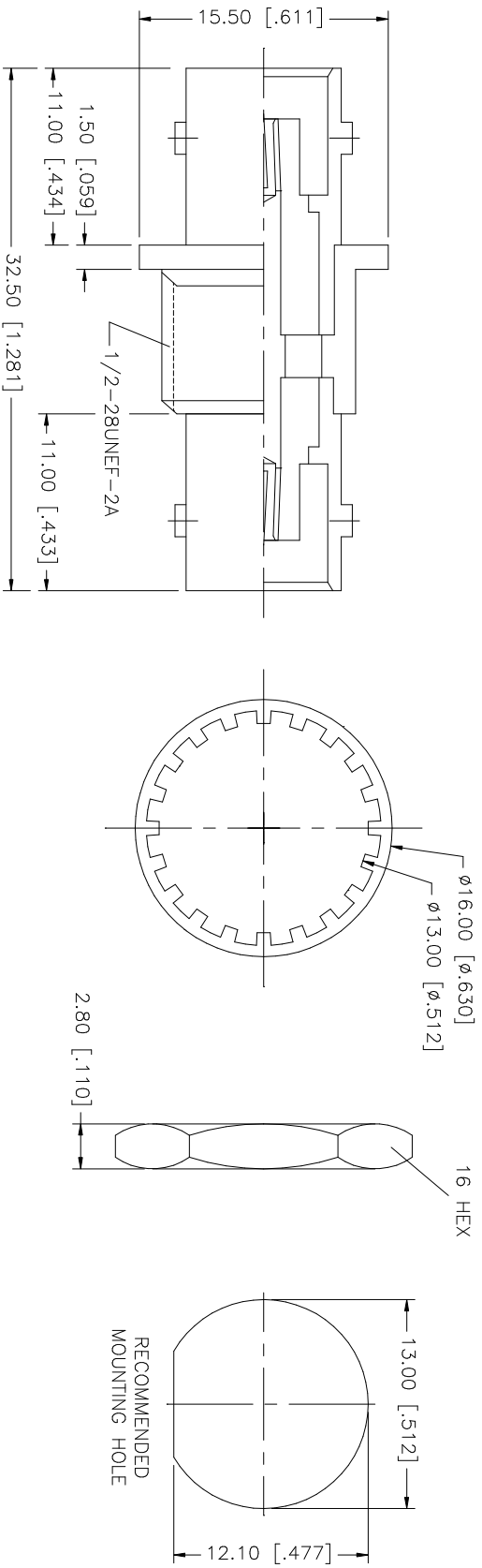


| REV. | DATE | DESCRIPTION |
|------|----------|-----------------|
| NC | 01/22/04 | INITIAL RELEASE |



| NO. | DESCRIPTION | MATERIAL | FINISH | QTY | UNLESS OTHERWISE SPECIFIED DIMENSIONS ARE IN INCHES AND FOR CUSTOMER REFERENCE ONLY. TOLERANCES FOR MILLIMETERS ARE: UNLESS OTHERWISE SPECIFIED 0.5 - 8mm ± 0.20mm 8 - 30mm ± 0.40mm 30 - 120mm ± 0.50mm | UNLESS OTHERWISE SPECIFIED DIMENSIONS ARE IN INCHES AND FOR CUSTOMER REFERENCE ONLY. TOLERANCES FOR INCHES ARE: UNLESS OTHERWISE SPECIFIED .020 - .315 = ± 0.007" .315 - 1.180 = ± 0.015" 1.180 - 4.724 = ± 0.020" | DO NOT SCALE DRAWING | CAD FILE | APPROVALS | DATE | PART DESCRIPTION |
|-----|----------------|--------------|----------------|-----|---|---|----------------------|----------|-----------|------|--|
| 8 | | | | | | | | | | | <p>Amphenol Connex</p> <p>BNC FEMALE TO FEMALE BULKHEAD ADAPTER (75ohm)</p> <p>112438</p> |
| 7 | | | | | | | | | | | |
| 6 | | | | | | | | | | | |
| 5 | HEX NUT | BRASS | NICKEL | 1 | | | | | | | |
| 4 | LOCK WASHER | BRASS | NICKEL | 1 | | | | | | | |
| 3 | CONTACT PIN | PHOS. BRONZE | GOLD | 1 | | | | | | | |
| 2 | INSULATOR BODY | DELRIN BRASS | NATURAL NICKEL | 1 | | | | | | | |
| 1 | DESCRIPTION | MATERIAL | FINISH | QTY | | | | | | | |