

### GENERAL DESCRIPTION

The ICS8752I is a low voltage, low skew LVCMOS clock generator. With output up to 240MHz, the ICS8752I is targeted for high performance clock applications. Along with a fully integrated PLL, the ICS8752I contains frequency configurable outputs and an external feedback input for regenerating clocks with “zero delay”.

Dual clock inputs, CLK0 and CLK1, support redundant clock applications. The CLK\_SEL input determines which reference clock is used. The output divider values of Bank A and B are controlled by the DIV\_SELA0:1, and DIV\_SELB0:1, respectively.

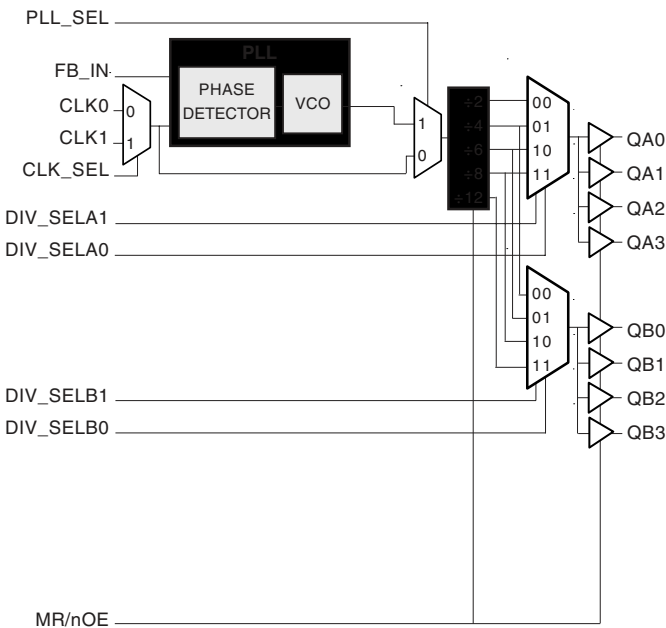
For test and system debug purposes, the PLL\_SEL input allows the PLL to be bypassed. When HIGH, the MR/nOE input resets the internal dividers and forces the outputs to the high impedance state.

The low impedance LVCMOS outputs of the ICS8752I are designed to drive terminated transmission lines. The effective fanout of each output can be doubled by utilizing the ability of each output to drive two series terminated transmission lines.

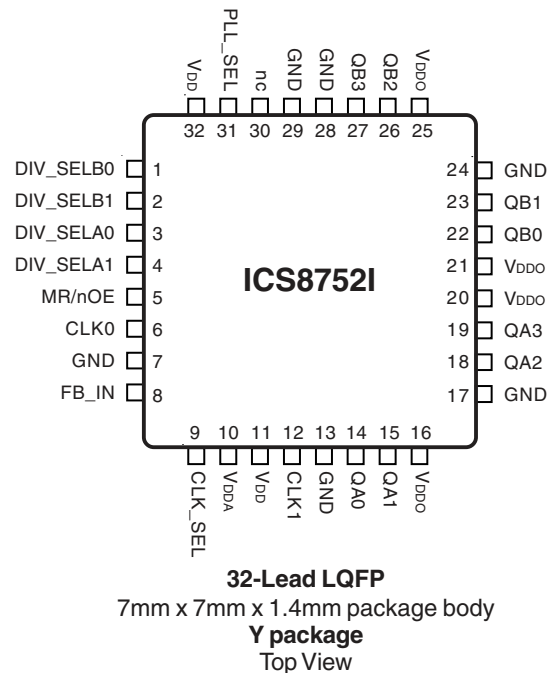
### FEATURES

- Fully integrated PLL
- 8 LVCMOS outputs, 7Ω typical output impedance
- Selectable LVCMOS CLK0 or CLK1 inputs for redundant clock applications
- Input/Output frequency range: 18.33MHz to 240MHz at  $V_{CC} = 3.3V \pm 5\%$
- VCO range: 220MHz to 480MHz
- External feedback for “zero delay” clock regeneration
- Cycle-to-cycle jitter: 75ps (maximum), (all outputs are the same frequency)
- Output skew: 100ps (maximum)
- Bank skew: 55ps (maximum)
- Full 3.3V or 2.5V supply voltage
- -40°C to 85°C ambient operating temperature
- Lead-Free package fully RoHS compliant

### BLOCK DIAGRAM



### PIN ASSIGNMENT



**TABLE 1. PIN DESCRIPTIONS**

Number	Name	Type		Description
1, 2	DIV_SELB0, DIV_SELB1	Input	Pulldown	Determines output divider values for Bank B as described in Table 3. LVCMOS / LVTTTL interface levels.
3, 4	DIV SELA0, DIV SELA1	Input	Pulldown	Determines output divider values for Bank A as described in Table 3. LVCMOS / LVTTTL interface levels.
5	MR/nOE	Input	Pulldown	When logic HIGH, the internal dividers are reset and the outputs are disabled. When logic LOW, the master reset is disabled and the outputs are enabled. LVCMOS / LVTTTL interface levels.
6	CLK0	Input	Pulldown	Clock input. LVCMOS / LVTTTL interface levels.
7, 13, 17, 24, 28, 29	GND	Power		Power supply ground.
8	FB_IN	Input	Pulldown	Feedback input to phase detector for generating clocks with "zero delay". LVCMOS / LVTTTL interface levels.
9	CLK_SEL	Input	Pulldown	Clock select input. Selects between CLK0 or CLK1 as phase detector reference. When LOW, selects CLK0. When HIGH, selects CLK1. LVCMOS / LVTTTL interface levels.
10	V <sub>DDA</sub>	Power		Analog supply pin.
11, 32	V <sub>DD</sub>	Power		Core supply pins.
12	CLK1	Input	Pulldown	Clock input. LVCMOS / LVTTTL interface levels.
14, 15, 18, 19	QA0, QA1, QA2, QA3	Output		Bank A clock outputs. 7Ω typical output impedance. LVCMOS / LVTTTL interface levels.
16, 20, 21, 25	V <sub>DDO</sub>	Power		Output supply pins.
22, 23, 26, 27	QB0, QB1, QB2, QB3	Output		Bank B clock outputs. 7Ω typical output impedance. LVCMOS / LVTTTL interface levels.
30	nc	Unused		No connect.
31	PLL_SEL	Input	Pullup	Selects between the PLL and CLK0 or CLK1 as the input to the dividers. When HIGH selects PLL. When LOW selects CLK0 or CLK1. LVCMOS / LVTTTL interface levels.

NOTE: *Pullup* and *Pulldown* refer to internal input resistors. See Table 2, Pin Characteristics, for typical values.

**TABLE 2. PIN CHARACTERISTICS**

Symbol	Parameter	Test Conditions	Minimum	Typical	Maximum	Units
C <sub>IN</sub>	Input Capacitance			4		pF
R <sub>PULLUP</sub>	Input Pullup Resistor			51		kΩ
R <sub>PULLDOWN</sub>	Input Pulldown Resistor			51		kΩ
C <sub>PD</sub>	Power Dissipation Capacitance (per output)	V <sub>DDA</sub> , V <sub>DD</sub> , V <sub>DDO</sub> = 3.465V		23		pF
R <sub>OUT</sub>	Output Impedance			7		Ω

**TABLE 3. CONTROL INPUT FUNCTION TABLE**

Inputs							Outputs	
MR/nOE	PLL_SEL	CLK_SEL	DIV_SELA1	DIV_SELA0	DIV_SELB1	DIV_SELB0	QAx	QBx
1	X	X	X	X	X	X	Hi-Z	Hi-Z
0	1	X	0	0	0	0	fVCO/2	fVCO/4
0	1	X	0	1	0	1	fVCO/4	fVCO/6
0	1	X	1	0	1	0	fVCO/6	fVCO/8
0	1	X	1	1	1	1	fVCO/8	fVCO/12
0	0	0	0	0	0	0	fCLK0/2	fCLK0/4
0	0	0	0	1	0	1	fCLK0/4	fCLK0/6
0	0	0	1	0	1	0	fCLK0/6	fCLK0/8
0	0	0	1	1	1	1	fCLK0/8	fCLK0/12
0	0	1	0	0	0	0	fCLK1/2	fCLK1/4
0	0	1	0	1	0	1	fCLK1/4	fCLK1/6
0	0	1	1	0	1	0	fCLK1/6	fCLK1/8
0	0	1	1	1	1	1	fCLK1/8	fCLK1/12

NOTE: For normal operation, MR/nOE is LOW. When MR/nOE is HIGH, all outputs are disabled.

**TABLE 4A. QA OUTPUT FREQUENCY w/FB\_IN = QB**

Inputs						Outputs			
FB_IN	DIV_SELB1	DIV_SELB0	QB Output Divider Mode (NOTE 2)	CLK0, CLK1 (MHz) (NOTE 1)		DIV_SELA1	DIV_SELA0	QA Output Divider Mode	QA Multiplier (NOTE 2)
				Minimum	Maximum				
QB	0	0	÷4	55	120	0	0	÷2	2
						0	1	÷4	1
						1	0	÷6	0.667
						1	1	÷8	0.5
QB	0	1	÷6	36.66	80	0	0	÷2	3
						0	1	÷4	1.5
						1	0	÷6	1
						1	1	÷8	0.75
QB	1	0	÷8	27.5	60	0	0	÷2	4
						0	1	÷4	2
						1	0	÷6	1.33
						1	1	÷8	1
QB	1	1	÷12	18.33	40	0	1	÷2	6
						0	1	÷4	3
						1	0	÷6	2
						1	1	÷8	1.5

NOTE 1: VCO frequency range is 220MHz to 480MHz.

NOTE 2: QA output frequency equal to CLKx frequency times the multiplier;

QB output frequency equal to CLKx.

**TABLE 4B. QB OUTPUT FREQUENCY w/FB\_IN = QA**

Inputs									Outputs
FB_IN	DIV_SEL <sub>A1</sub>	DIV_SEL <sub>A0</sub>	QA Output Divider Mode (NOTE 2)	CLK0, CLK1 (MHz) (NOTE 1)		DIV_SEL <sub>B1</sub>	DIV_SEL <sub>B0</sub>	QB Output Divider Mode	QB Multiplier (NOTE 2)
				Minimum	Maximum				
QA	0	0	÷2	110	240 (NOTE 3)	0	0	÷4	0.5
						0	1	÷6	0.333
						1	0	÷8	0.25
						1	1	÷12	0.167
QA	0	1	÷4	55	120	0	0	÷4	1
						0	1	÷6	0.667
						1	0	÷8	0.5
						1	1	÷12	0.333
QA	1	0	÷6	36.66	80	0	0	÷4	1.5
						0	1	÷6	1
						1	0	÷8	0.75
						1	1	÷12	0.5
QA	1	1	÷8	27.5	60	0	1	÷4	2
						0	1	÷6	1.333
						1	0	÷8	1
						1	1	÷12	0.667

NOTE 1: VCO frequency range is 220MHz to 480MHz.

NOTE 2: QB output frequency equal to CLKx frequency times the multiplier;

QA output frequency equal to CLKx.

NOTE 3: Maximum frequency of 240MHz valid for  $V_{CC} = 3.3V \pm 5\%$  only.

### ABSOLUTE MAXIMUM RATINGS

Supply Voltage, $V_{DD}$	4.6V
Inputs, $V_I$	-0.5V to $V_{DD} + 0.5V$
Outputs, $V_O$	-0.5V to $V_{DDO} + 0.5V$
Package Thermal Impedance, $\theta_{JA}$	47.9°C/W (0 lfm)
Storage Temperature, $T_{STG}$	-65°C to 150°C

NOTE: Stresses beyond those listed under Absolute Maximum Ratings may cause permanent damage to the device. These ratings are stress specifications only. Functional operation of product at these conditions or any conditions beyond those listed in the *DC Characteristics* or *AC Characteristics* is not implied. Exposure to absolute maximum rating conditions for extended periods may affect product reliability.

**TABLE 5A. POWER SUPPLY DC CHARACTERISTICS,  $V_{DD} = V_{DDA} = V_{DDO} = 3.3V \pm 5\%$ ,  $T_A = -40^\circ\text{C}$  TO  $85^\circ\text{C}$**

Symbol	Parameter	Test Conditions	Minimum	Typical	Maximum	Units
$V_{DD}$	Core Supply Voltage		3.135	3.3	3.465	V
$V_{DDA}$	Analog Supply Voltage		3.135	3.3	3.465	V
$V_{DDO}$	Output Supply Voltage		3.135	3.3	3.465	V
$I_{DD}$	Power Supply Current				105	mA
$I_{DDA}$	Analog Supply Current				15	mA
$I_{DDO}$	Output Supply Current				20	mA

**TABLE 5B. POWER SUPPLY DC CHARACTERISTICS,  $V_{DD} = V_{DDA} = V_{DDO} = 2.5V \pm 5\%$ ,  $T_A = -40^\circ\text{C}$  TO  $85^\circ\text{C}$**

Symbol	Parameter	Test Conditions	Minimum	Typical	Maximum	Units
$V_{DD}$	Core Supply Voltage		2.375	2.5	2.625	V
$V_{DDA}$	Analog Supply Voltage		2.375	2.5	2.625	V
$V_{DDO}$	Output Supply Voltage		2.375	2.5	2.625	V
$I_{DD}$	Power Supply Current				100	mA
$I_{DDA}$	Analog Supply Current				15	mA
$I_{DDO}$	Output Supply Current				20	mA

**TABLE 5B. LVCMOS/LVTTL DC CHARACTERISTICS,  $V_{DD} = V_{DDA} = V_{DDO} = 3.3V \pm 5\%$  OR  $2.5V \pm 5\%$ ,  $T_A = -40^\circ\text{C}$  TO  $85^\circ\text{C}$** 

Symbol	Parameter		Test Conditions	Minimum	Typical	Maximum	Units
$V_{IH}$	Input High Voltage		$V_{DD} = 3.3V$	2		$V_{DD} + 0.3$	V
			$V_{DD} = 2.5V$	1.7		$V_{DD} + 0.3$	V
$V_{IL}$	Input Low Voltage		$V_{DD} = 3.3V$	-0.3		0.8	V
			$V_{DD} = 2.5V$	-0.3		0.7	V
$I_{IH}$	Input High Current	DIV_SELx0, DIV_SELx1, CLK0, CLK1, FB_IN, CLK_SEL, MR/nOE	$V_{DD} = V_{IN} = 3.465V$ or 2.625V			150	$\mu\text{A}$
		PLL_SEL	$V_{DD} = V_{IN} = 3.465V$ or 2.625V			5	$\mu\text{A}$
$I_{IL}$	Input Low Current	DIV_SELx0, DIV_SELx1, CLK0, CLK1, FB_IN, CLK_SEL, MR/nOE	$V_{DD} = 3.465V$ or 2.625V, $V_{IN} = 0V$	-5			$\mu\text{A}$
		PLL_SEL	$V_{DD} = 3.465V$ or 2.625V, $V_{IN} = 0V$	-150			$\mu\text{A}$
$V_{OH}$	Output High Voltage; NOTE 1		$V_{DDO} = V_{IN} = 3.465V$	2.6			V
			$V_{DDO} = V_{IN} = 2.625V$	1.8			V
$V_{OL}$	Output Low Voltage; NOTE 1					0.5	V

NOTE 1: Outputs terminated with  $50\Omega$  to  $V_{DDO}/2$ . See Parameter Measurement Information section, "Output Load Test Circuit" diagrams.

**TABLE 6A. PLL INPUT REFERENCE CHARACTERISTICS,  $V_{DD} = V_{DDA} = V_{DDO} = 3.3V \pm 5\%$ ,  $T_A = -40^\circ\text{C}$  TO  $85^\circ\text{C}$** 

Symbol	Parameter	Test Conditions	Minimum	Typical	Maximum	Units
$f_{REF}$	Input Reference Frequency NOTE: Input reference frequency is limited by the divider selection and the VCO lock range.		20		240	MHz

**TABLE 6B. PLL INPUT REFERENCE CHARACTERISTICS,  $V_{DD} = V_{DDA} = V_{DDO} = 2.5V \pm 5\%$ ,  $T_A = -40^\circ\text{C}$  TO  $85^\circ\text{C}$** 

Symbol	Parameter	Test Conditions	Minimum	Typical	Maximum	Units
$f_{REF}$	Input Reference Frequency NOTE: Input reference frequency is limited by the divider selection and the VCO lock range.		20		120	MHz

**TABLE 7A. AC CHARACTERISTICS,  $V_{DD} = V_{DDA} = V_{DDO} = 3.3V \pm 5\%$ ,  $T_A = -40^\circ\text{C}$  TO  $85^\circ\text{C}$**

Symbol	Parameter	Test Conditions	Minimum	Typical	Maximum	Units
$f_{OUT}$	Output Frequency (PLL Mode)	$\div 2$	110		240	MHz
		$\div 4$	55		120	MHz
		$\div 6$	36.67		80	MHz
		$\div 8$	27.5		60	MHz
		$\div 12$	18.33		40	MHz
$f_{VCO}$	PLL VCO Lock Range		220		480	MHz
$t(\emptyset)$	Static Phase Offset; NOTE 1	$f_{VCO} = 400\text{MHz}$ , Feedback $\div 8$	-30	70	170	ps
$t_{sk}(b)$	Bank Skew; NOTE 2, 4	Measured on rising edge at $V_{DDO}/2$			55	ps
$t_{sk}(o)$	Output Skew; NOTE 3, 4	Measured on rising edge at $V_{DDO}/2$			100	ps
$f_{jit}(cc)$	Cycle-to-Cycle Jitter; NOTE 4	Different Frequencies on Different Banks			400	ps
		All Outputs at Same Frequency			75	ps
$t_L$	PLL Lock Time				1	mS
$t_R / t_F$	Output Rise/Fall Time	20% to 80%	400		950	ps
odc	Output Duty Cycle		47	50	53	%

All parameters measured at  $f_{MAX}$  unless noted otherwise.

NOTE 1: Defined as the time difference between the input clock and the average feedback input signal, when the PLL is locked and the input reference frequency is stable.

NOTE 2: Defined as skew within a bank of outputs at the same supply voltages and with equal load conditions.

NOTE 3: Defined as skew between outputs at the same supply voltage and with equal load conditions. Measured at  $V_{DDO}/2$ .

NOTE 4: This parameter is defined in accordance with JEDEC Standard 65.

**TABLE 7B. AC CHARACTERISTICS,  $V_{DD} = V_{DDA} = V_{DDO} = 2.5V \pm 5\%$ ,  $T_A = -40^\circ\text{C}$  TO  $85^\circ\text{C}$**

Symbol	Parameter	Test Conditions	Minimum	Typical	Maximum	Units
$f_{OUT}$	Output Frequency (PLL Mode)	$\div 2$	110		240	MHz
		$\div 4$	55		120	MHz
		$\div 6$	36.67		80	MHz
		$\div 8$	27.5		60	MHz
		$\div 12$	18.33		40	MHz
$f_{VCO}$	PLL VCO Lock Range		220		480	MHz
$t(\emptyset)$	Static Phase Offset; NOTE 1	$f_{VCO} = 400\text{MHz}$ Feedback $\div 8$	-90	50	190	ps
$t_{sk}(b)$	Bank Skew; NOTE 2, 4	Measured on rising edge at $V_{DDO}/2$			55	ps
$t_{sk}(o)$	Output Skew; NOTE 3, 4	Measured on rising edge at $V_{DDO}/2$			90	ps
$f_{jit}(cc)$	Cycle-to-Cycle Jitter; NOTE 4	Different Frequencies on Different Banks			400	ps
		All Outputs at Same Frequency			75	ps
$t_L$	PLL Lock Time				1	mS
$t_R / t_F$	Output Rise/Fall Time	20% to 80%	400		950	ps
odc	Output Duty Cycle		45	50	55	%

All parameters measured at  $f_{MAX}$  unless noted otherwise.

NOTE 1: Defined as the time difference between the input clock and the average feedback input signal, when the PLL is locked and the input reference frequency is stable.

NOTE 2: Defined as skew within a bank of outputs at the same supply voltages and with equal load conditions.

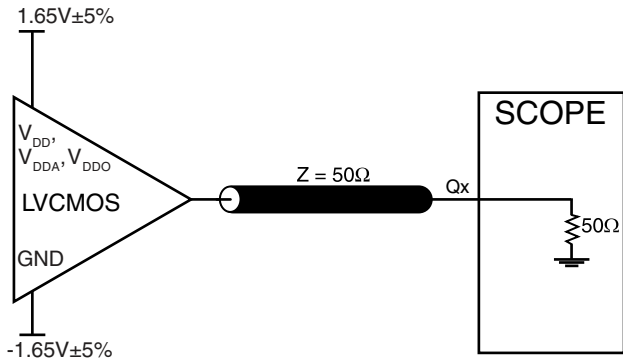
NOTE 3: Defined as skew between outputs at the same supply voltage and with equal load conditions.

Measured at  $V_{DDO}/2$ .

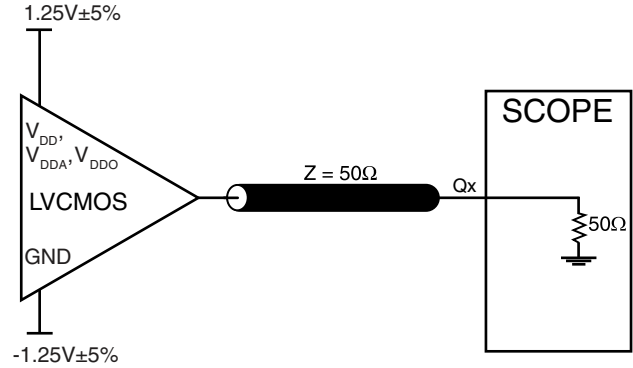
NOTE 4: This parameter is defined in accordance with JEDEC Standard 65.



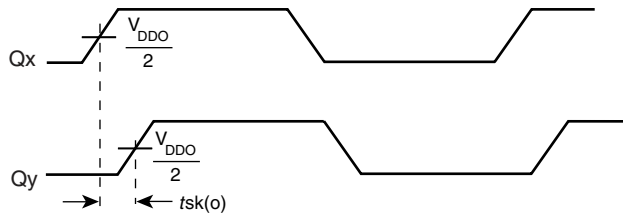
## PARAMETER MEASUREMENT INFORMATION



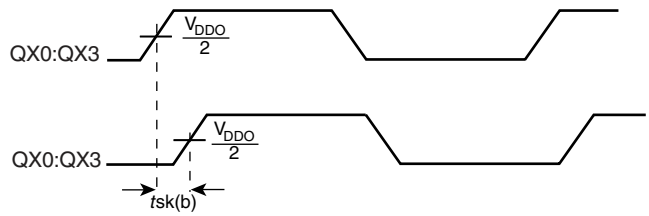
**3.3V OUTPUT LOAD AC TEST CIRCUIT**  
(Where X denotes outputs in the same Bank)



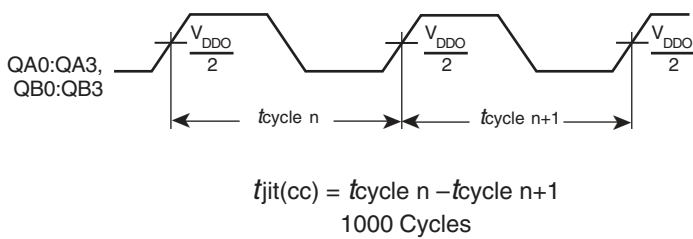
**2.5V OUTPUT LOAD AC TEST CIRCUIT**



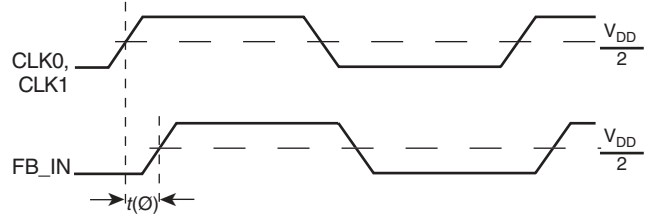
**OUTPUT SKEW**



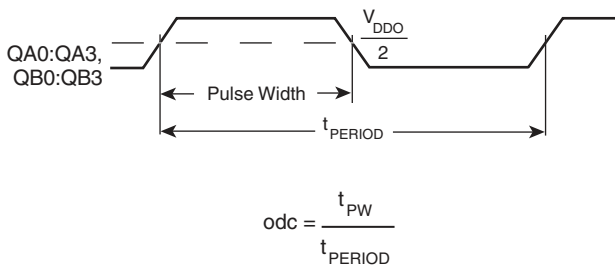
**BANK SKEW**



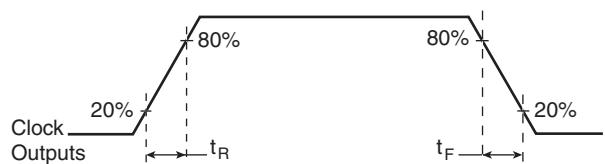
**CYCLE-TO-CYCLE JITTER**



**STATIC PHASE OFFSET**



**OUTPUT DUTY CYCLE/PULSE WIDTH/PERIOD**



**OUTPUT RISE/FALL TIME**

## RELIABILITY INFORMATION

TABLE 7.  $\theta_{JA}$  VS. AIR FLOW TABLE FOR 32 LEAD LQFP

$\theta_{JA}$ by Velocity (Linear Feet per Minute)			
	0	200	500
Single-Layer PCB, JEDEC Standard Test Boards	67.8°C/W	55.9°C/W	50.1°C/W
Multi-Layer PCB, JEDEC Standard Test Boards	47.9°C/W	42.1°C/W	39.4°C/W

**NOTE:** Most modern PCB designs use multi-layered boards. The data in the second row pertains to most designs.

### TRANSISTOR COUNT

The transistor count for ICS8752I is: 1546

PACKAGE OUTLINE - Y SUFFIX FOR 32 LEAD LQFP

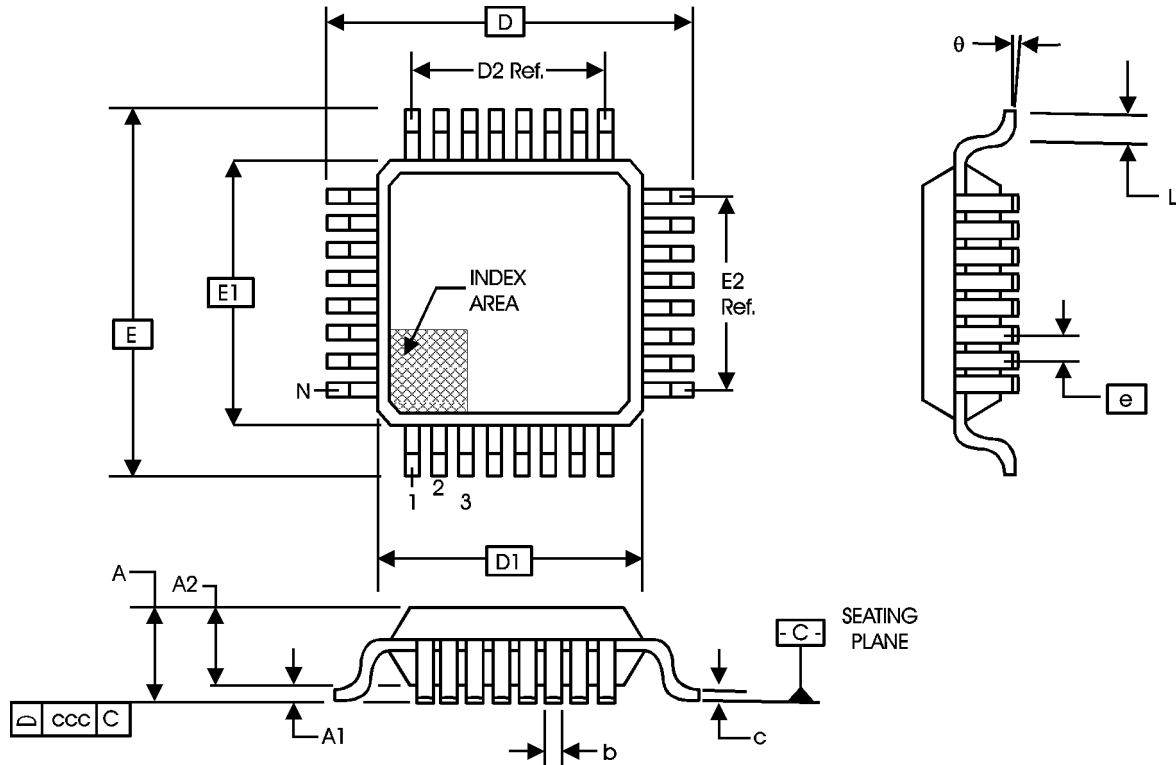


TABLE 8. PACKAGE DIMENSIONS

JEDEC VARIATION ALL DIMENSIONS IN MILLIMETERS			
SYMBOL	BBA		
	MINIMUM	NOMINAL	MAXIMUM
N	32		
A	--	--	1.60
A1	0.05	--	0.15
A2	1.35	1.40	1.45
b	0.30	0.37	0.45
c	0.09	--	0.20
D	9.00 BASIC		
D1	7.00 BASIC		
D2	5.60 Ref.		
E	9.00 BASIC		
E1	7.00 BASIC		
E2	5.60 Ref.		
e	0.80 BASIC		
L	0.45	0.60	0.75
θ	0°	--	7°
ccc	--	--	0.10

Reference Document: JEDEC Publication 95, MS-026

**TABLE 9. ORDERING INFORMATION**

<b>Part/Order Number</b>	<b>Marking</b>	<b>Package</b>	<b>Shipping Packaging</b>	<b>Temperature</b>
8752CYI	ICS8752CYI	32 Lead LQFP	tray	-40°C to 85°C
8752CYIT	ICS8752CYI	32 Lead LQFP	1000 tape & reel	-40°C to 85°C
8752CYILF	ICS8752CYILF	32 Lead "Lead-Free" LQFP	tray	-40°C to 85°C
8752CYILFT	ICS8752CYILF	32 Lead "Lead-Free" LQFP	1000 tape & reel	-40°C to 85°C

NOTE: Parts that are ordered with an "LF" suffix to the part number are the Pb-Free configuration and are RoHS compliant.

REVISION HISTORY SHEET				
Rev	Table	Page	Description of Change	Date
A	7A & 7B	6 & 8	AC Characteristics tables, Static Phase Offset/Test Conditions - changed Feedback ÷ 4 to Feedback ÷ 8.	6/17/02
	7B	8	Bank Skew should read 55ps Max. from 40ps Max.	
A	1	2	Pin Description Table - revised MR/nOE description.	8/19/02
B	T1 T2 T9	1	Features Section - added Lead-Free Bullet	5/2/05
		2	Pin Description Table - correct Pin 5, MR/nOE.	
		2	Pin Characteristics Table - changed C <sub>IN</sub> from 4pF max. to 4pF typical.	
		12	Added Lead-Free part number. Updated datasheet format.	
C	T9	12	Updated datasheet's header/footer with IDT from ICS.	7/30/10
		14	Removed ICS prefix from Part/Order Number column. Added LF marking. Added Contact Page.	



## IMPORTANT NOTICE AND DISCLAIMER

RENESAS ELECTRONICS CORPORATION AND ITS SUBSIDIARIES (“RENESAS”) PROVIDES TECHNICAL SPECIFICATIONS AND RELIABILITY DATA (INCLUDING DATASHEETS), DESIGN RESOURCES (INCLUDING REFERENCE DESIGNS), APPLICATION OR OTHER DESIGN ADVICE, WEB TOOLS, SAFETY INFORMATION, AND OTHER RESOURCES “AS IS” AND WITH ALL FAULTS, AND DISCLAIMS ALL WARRANTIES, EXPRESS OR IMPLIED, INCLUDING, WITHOUT LIMITATION, ANY IMPLIED WARRANTIES OF MERCHANTABILITY, FITNESS FOR A PARTICULAR PURPOSE, OR NON-INFRINGEMENT OF THIRD PARTY INTELLECTUAL PROPERTY RIGHTS.

These resources are intended for developers skilled in the art designing with Renesas products. You are solely responsible for (1) selecting the appropriate products for your application, (2) designing, validating, and testing your application, and (3) ensuring your application meets applicable standards, and any other safety, security, or other requirements. These resources are subject to change without notice. Renesas grants you permission to use these resources only for development of an application that uses Renesas products. Other reproduction or use of these resources is strictly prohibited. No license is granted to any other Renesas intellectual property or to any third party intellectual property. Renesas disclaims responsibility for, and you will fully indemnify Renesas and its representatives against, any claims, damages, costs, losses, or liabilities arising out of your use of these resources. Renesas' products are provided only subject to Renesas' Terms and Conditions of Sale or other applicable terms agreed to in writing. No use of any Renesas resources expands or otherwise alters any applicable warranties or warranty disclaimers for these products.

(Disclaimer Rev.1.0 Mar 2020)

### Corporate Headquarters

TOYOSU FORESIA, 3-2-24 Toyosu,  
Koto-ku, Tokyo 135-0061, Japan  
[www.renesas.com](http://www.renesas.com)

### Contact Information

For further information on a product, technology, the most up-to-date version of a document, or your nearest sales office, please visit:  
[www.renesas.com/contact/](http://www.renesas.com/contact/)

### Trademarks

Renesas and the Renesas logo are trademarks of Renesas Electronics Corporation. All trademarks and registered trademarks are the property of their respective owners.