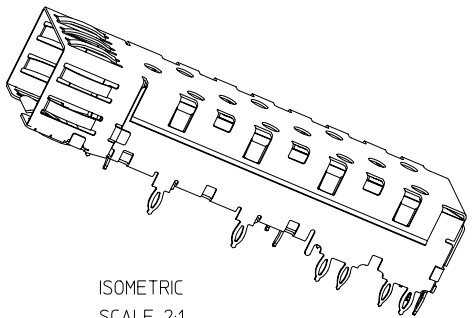


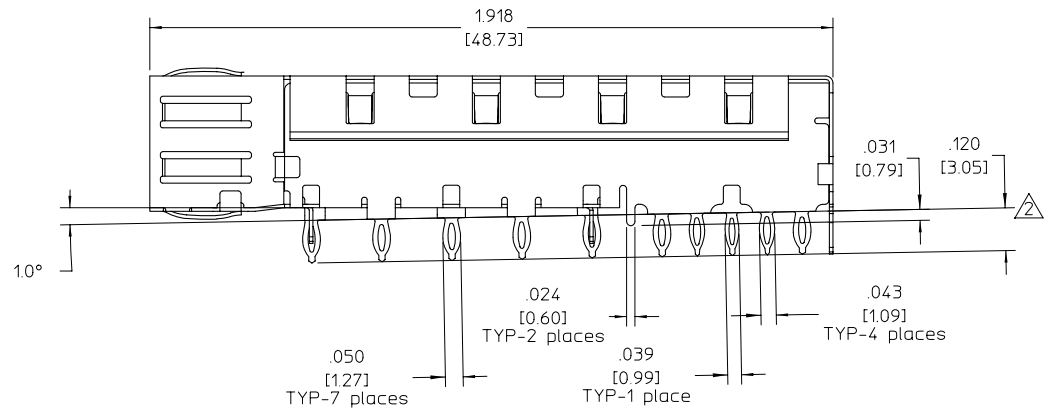
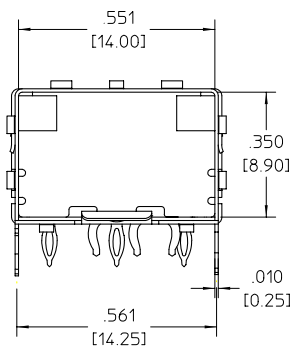
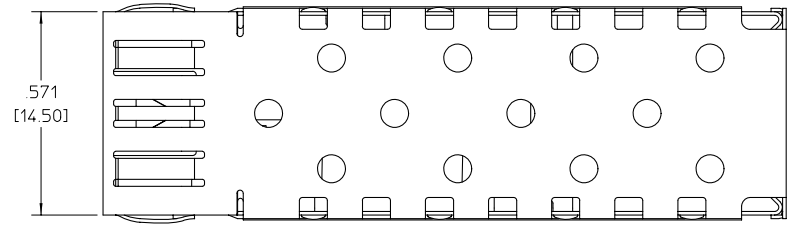
15 press-fit (compliant) pins for single sided use in .093+ (2.36+mm) PCB's with plated through holes. Legs angled 1° from body for mounting in PCI panel openings.

Material full-hard, tin plated brass or bronze .010" (0.25mm) thick.

EC NO: UDT2002-12344 DRAWN: DIRKERS 2002/04/11 CHK: DIRKERS APPR: BRUSSELL 2002/04/22	QUALITY SYMBOLS ▽ = 0 ∇ = 0	GENERAL TOLERANCES (UNLESS SPECIFIED)		SCALE 4:1	DESIGN UNITS METRIC	THIRD ANGLE PROJECTION	REVISE ON CAD ONLY			
			mm	INCH	DIMENSION STYLE IN/MM		TITLE			
		4 PLACES	± ---	± ---	DRAWN BY DIRKERS	DATE 2002/04/10	SFP PCI CAGE ASSEMBLY WITH 15 PRESS-FIT LEGS AND 3 EMI CLIPS MOLEX INCORPORATED			
		3 PLACES	± ---	± .002	CHECKED BY DIRKERS	DATE 2002/04/10				
2 PLACES	± 0.05	± ---	APPROVED BY RUSSELL		DATE 2002/04/11	MATERIAL NO. 739270016	DOCUMENT NO. SD-73927-0016	SHEET NO. 1 OF 7		
1 PLACE	± ---	± ---	DRAFT WHERE APPLICABLE MUST REMAIN WITHIN DIMENSIONS		THIS DRAWING CONTAINS INFORMATION THAT IS PROPRIETARY TO MOLEX INCORPORATED AND SHOULD NOT BE USED WITHOUT WRITTEN PERMISSION					

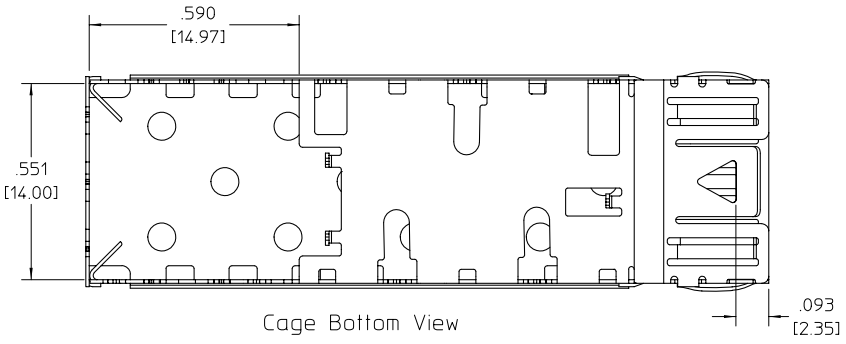
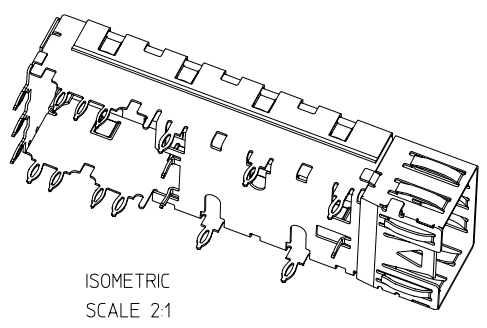
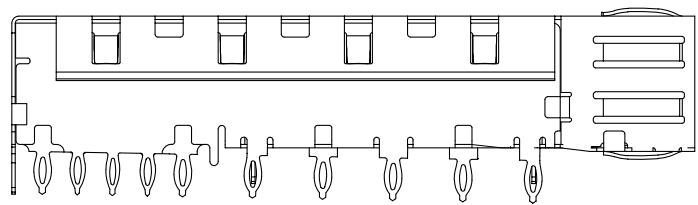
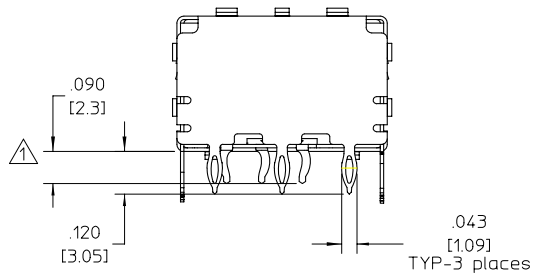


ISOMETRIC
SCALE 2:1



1 Dimensions of solder posts fit hole pattern and sizes per MSA guidelines.
 △ Host PCB top surface datum.

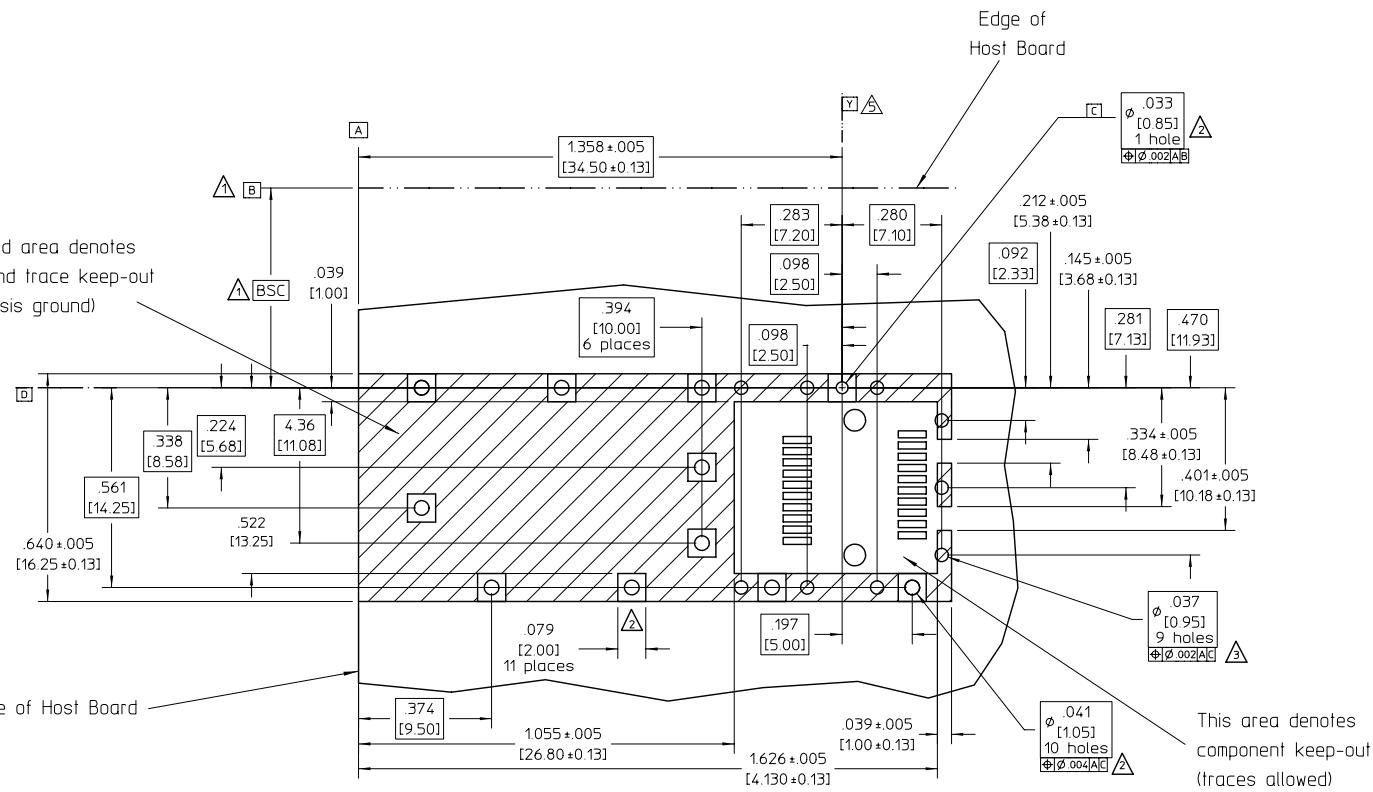
EC NO: UDT2002-12864 DRWN: DIRKERS 2002/04/11 CHK: DIRKERS APPR: BRUSSELL 2002/04/22	QUALITY SYMBOLS	GENERAL TOLERANCES (UNLESS SPECIFIED)		SCALE 3:1	DESIGN UNITS METRIC	THIRD ANGLE PROJECTION	REVISE ON CAD ONLY			
	▼ = 0 △ = 0		mm	INCH	DIMENSION STYLE IN/MM		TITLE			
		4 PLACES	± ---	± ---	DRAWN BY DATE		SFP PCI CAGE ASSEMBLY WITH 15 PRESS-FIT LEGS AND 3 EMI CLIPS MOLEX INCORPORATED			
		3 PLACES	± ---	± .002	DIRKERS 2002/04/10					
2 PLACES	± 0.05	± ---	CHECKED BY DATE		MATERIAL NO. 739270016 DOCUMENT NO. SD-73927-0016 SHEET NO. 2 OF 7					
1 PLACE	± ---	± ---	DIRKERS 2002/04/10							
REV	DESCRIPTION	ANGULAR ± 1/2 °		APPROVED BY DATE		THIS DRAWING CONTAINS INFORMATION THAT IS PROPRIETARY TO MOLEX INCORPORATED AND SHOULD NOT BE USED WITHOUT WRITTEN PERMISSION				
A		DRAFT WHERE APPLICABLE MUST REMAIN WITHIN DIMENSIONS		RUSSELL 2002/04/11		B				



△ Host PCB Top Surface Datum

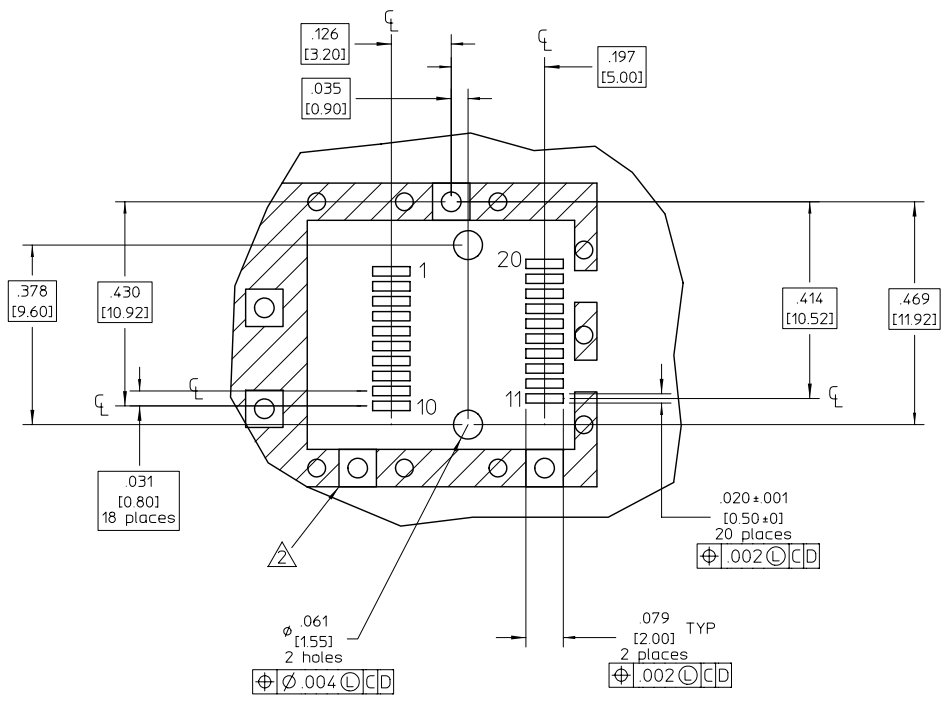
EC NO: UDT20002-12864 DRAWN: DIRKERS 2002/04/11 CHK: DIRKERS APPR: BRUSSELL 2002/04/22	QUALITY SYMBOLS	GENERAL TOLERANCES (UNLESS SPECIFIED)		SCALE 3:1	DESIGN UNITS METRIC	THIRD ANGLE PROJECTION	REVISE ON CAD ONLY		
	▼ = 0 ∇ = 0		mm	INCH	DIMENSION STYLE IN/MM		TITLE		
		4 PLACES	± ---	± ---	DRAWN BY DIRKERS	DATE 2002/04/10	SFP PCI CAGE ASSEMBLY WITH 15 PRESS-FIT LEGS AND 3 EMI CLIPS		
		3 PLACES	± ---	± .002	CHECKED BY DIRKERS	DATE 2002/04/10	MATERIAL NO. 739270016		
	2 PLACES	± 0.05	± ---	APPROVED BY RUSSELL	DATE 2002/04/11	DOCUMENT NO. SD-73927-0016	SHEET NO. 3 OF 7		
	1 PLACE	± ---	± ---	DRAFT WHERE APPLICABLE MUST REMAIN WITHIN DIMENSIONS		THIS DRAWING CONTAINS INFORMATION THAT IS PROPRIETARY TO MOLEX INCORPORATED AND SHOULD NOT BE USED WITHOUT WRITTEN PERMISSION			
	ANGULAR ± 1/2 °								

Cross-hatched area denotes component and trace keep-out (except chassis ground)



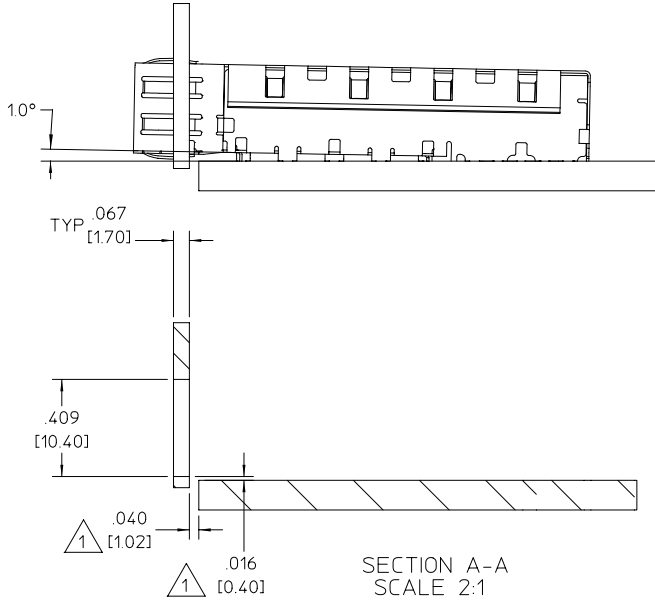
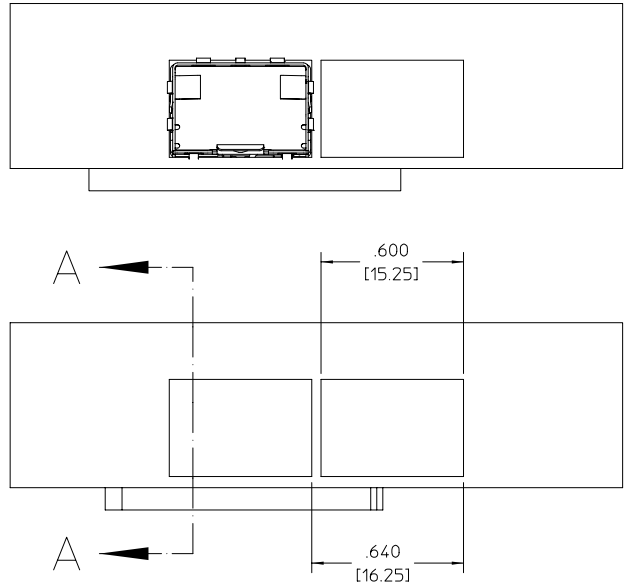
- 1 Datum and basic dimensions established by customer.
- 2 Vias and pads chassis ground, plated through, 11 places. Pads optional.
- 3 Holes optionally plated through.
- 4 Hole pattern does not allow two parts to be mounted "belly-to-belly".
- 5 Cage datum Y shown for reference to cage, only.

EC NO: UDT2002-12644 DRAWN: DIRKERS 2002/04/11 CHK: DIRKERS APPR: BRUSSELL 2002/04/22 REV DESCRIPTION	QUALITY SYMBOLS	GENERAL TOLERANCES (UNLESS SPECIFIED)	SCALE 3:1	DESIGN UNITS METRIC	THIRD ANGLE PROJECTION	REVISE ON CAD ONLY															
	▽ = 0 ∇ = 0	<table border="1"> <thead> <tr> <th></th> <th>mm</th> <th>INCH</th> </tr> </thead> <tbody> <tr> <td>4 PLACES</td> <td>± ---</td> <td>± ---</td> </tr> <tr> <td>3 PLACES</td> <td>± ---</td> <td>± .002</td> </tr> <tr> <td>2 PLACES</td> <td>± 0.05</td> <td>± ---</td> </tr> <tr> <td>1 PLACE</td> <td>± ---</td> <td>± ---</td> </tr> </tbody> </table>		mm	INCH	4 PLACES	± ---	± ---	3 PLACES	± ---	± .002	2 PLACES	± 0.05	± ---	1 PLACE	± ---	± ---	DIMENSION STYLE IN/MM	TITLE	SFP PCI CAGE ASSEMBLY WITH 15 PRESS-FIT LEGS AND 3 EMI CLIPS	
		mm	INCH																		
	4 PLACES	± ---	± ---																		
3 PLACES	± ---	± .002																			
2 PLACES	± 0.05	± ---																			
1 PLACE	± ---	± ---																			
DRAFT WHERE APPLICABLE	APPROVED BY RUSSELL	DATE 2002/04/11	CHECKED BY DIRKERS	DATE 2002/04/10	MATERIAL NO. 739270016																
MUST REMAIN WITHIN DIMENSIONS	THIS DRAWING CONTAINS INFORMATION THAT IS PROPRIETARY TO MOLEX INCORPORATED AND SHOULD NOT BE USED WITHOUT WRITTEN PERMISSION		DOCUMENT NO. SD-73927-0016		SHEET NO. 4 OF 7																



1. Connector pad pattern per MSA, will accommodate surface mount Molex connector 74441 or equivalent.
 ▲ Cage mounting pads not required for press-fit application.

EC NO: U012002-47864 DRAWN: DIRKERS 2002/04/11 CHK: DIRKERS APPR: BRUSSELL 2002/04/22	QUALITY SYMBOLS	GENERAL TOLERANCES (UNLESS SPECIFIED)		SCALE 3:1	DESIGN UNITS METRIC	THIRD ANGLE PROJECTION	REVISE ON CAD ONLY			
	DESCRIPTION ▲ 0 ▽ 0		mm	INCH	DIMENSION STYLE IN/MM		TITLE			
		4 PLACES	±---	±---			SFP PCI CAGE ASSEMBLY WITH 15 PRESS-FIT LEGS AND 3 EMI CLIPS			
		3 PLACES	±---	±.002	DRAWN BY DIRKERS	DATE 2002/04/10	MOLEX INCORPORATED MATERIAL NO. 739270016 DOCUMENT NO. SD-73927-0016 SHEET NO. 5 OF 7			
2 PLACES	±0.05	±---	CHECKED BY DIRKERS	DATE 2002/04/10						
1 PLACE	±---	±---	APPROVED BY RUSSELL		DATE 2002/04/11					
DRAFT WHERE APPLICABLE		MUST REMAIN WITHIN DIMENSIONS		THIS DRAWING CONTAINS INFORMATION THAT IS PROPRIETARY TO MOLEX INCORPORATED AND SHOULD NOT BE USED WITHOUT WRITTEN PERMISSION						



△ Dimension to accomodate PCI application.
All others per MSA guidelines.

EC NO: UDT2002-12644 DRAWN: DIRKERS 2002/04/11 CHK: DIRKERS APPR: BRUSSELL 2002/04/22	QUALITY SYMBOLS ▽ = 0 ∇ = 0	GENERAL TOLERANCES (UNLESS SPECIFIED)		SCALE 2:1	DESIGN UNITS METRIC	THIRD ANGLE PROJECTION	REVISE ON CAD ONLY			
			mm	INCH	DIMENSION STYLE IN/MM		TITLE			
		4 PLACES	± ---	± ---	DRAWN BY DIRKERS	DATE 2002/04/10	SFP PCI CAGE ASSEMBLY WITH 15 PRESS-FIT LEGS AND 3 EMI CLIPS MOLEX INCORPORATED			
		3 PLACES	± ---	± .002	CHECKED BY DIRKERS	DATE 2002/04/10				
2 PLACES	± 0.05	± ---	APPROVED BY RUSSELL		DATE 2002/04/11	MATERIAL NO. 739270016	DOCUMENT NO. SD-73927-0016	SHEET NO. 6 OF 7		
1 PLACE	± ---	± ---	DRAFT WHERE APPLICABLE MUST REMAIN WITHIN DIMENSIONS		THIS DRAWING CONTAINS INFORMATION THAT IS PROPRIETARY TO MOLEX INCORPORATED AND SHOULD NOT BE USED WITHOUT WRITTEN PERMISSION					
A		REV DESCRIPTION		B						

DATE	REV	CHANGES	REASONS	APPROVAL
2002/04/10	A	NEW DRAWING BASED UPON SD-73927-0004	CUSTOMER REQUEST FOR PRESS-FIT LEGS	CD

EC NO: UDT2002-12644 DRAWN: DIRKERS 2002/04/11 CHK: DIRKERS APPR: BRUSSELL 2002/04/22	QUALITY SYMBOLS ▽ = 0 ∇ = 0	GENERAL TOLERANCES (UNLESS SPECIFIED)		SCALE 1:1	DESIGN UNITS METRIC	THIRD ANGLE PROJECTION	REVISE ON CAD ONLY		
			mm	INCH	DIMENSION STYLE IN/MM		TITLE SFP PCI CAGE ASSEMBLY WITH 15 PRESS-FIT LEGS AND 3 EMI CLIPS		
		4 PLACES	± ---	± ---	DRAWN BY DIRKERS	DATE 2002/04/10			
		3 PLACES	± ---	± .002	CHECKED BY DIRKERS	DATE 2002/04/10	MATERIAL NO. 739270016 DOCUMENT NO. SD-73927-0016 SHEET NO. 7 OF 7		
		2 PLACES	± 0.05	± ---	APPROVED BY RUSSELL 2002/04/11				
1 PLACE	± ---	± ---	DRAFT WHERE APPLICABLE MUST REMAIN WITHIN DIMENSIONS		THIS DRAWING CONTAINS INFORMATION THAT IS PROPRIETARY TO MOLEX INCORPORATED AND SHOULD NOT BE USED WITHOUT WRITTEN PERMISSION				