



MMIC SURFACE MOUNT WIDEBAND

Double Balanced Mixer

MDB-24H+

Level 15 (LO Power 15dBm) 5-21.5 GHz

THE BIG DEAL

- High L-I Isolation, 44 dB typ
- Usable as Up & Down Converter
- Small Size 4 x 4 x 1 mm
- Wide bandwidth 5 to 21.5 GHz
- Aqueous washable
- Footprint Compatible with Hittite HMC144LC4^{a,b}



CASE STYLE: DG1847

Generic photo used for illustration purposes only

+RoHS Compliant

The +Suffix identifies RoHS Compliance. See our web site for RoHS Compliance methodologies and qualifications

APPLICATIONS

- Satellite up and down converters
- Defense radar & communication
- VSAT
- Line of sight links
- Federal fixed service
- WiFi
- ISM

PRODUCT OVERVIEW

MDB-24H+ is an advanced wideband frequency mixer fabricated using InGaP HBT technology with integrated LO and RF Baluns. It has repeatable performance making it suitable for volume production. It is packaged in tiny 4 mm x 4 mm x 1 mm MCLP™ Package having Tin Silver Nickel finish passing tin whisker test.

KEY FEATURES

| Feature | Advantages |
|-----------------------------------|---|
| Double Balanced | Results in excellent LO-RF (21-35 dB typical) & LO-IF (28-44 dB typical) Isolations mini-mizing need for external filtering |
| Wide Bandwidth, 5 to 21.5 GHz | Useful in wideband systems or in in several narrowband systems. Reducing inventory |
| Wide IF Bandwidth DC-5 GHz | Usable in first and second down converter applications. IF as low as DC enables use in phase detector applications. |
| 4 mm x 4 mm, 24 lead MCLP Package | Low Inductance, repeatable transitions, excellent thermal contact to PCB |

Notes:

A. Suitability for model replacement within a particular system must be determined by and is solely the responsibility of the customer based on, among other things, electrical performance criteria, stimulus conditions, application, compatibility with other components and environmental conditions and stresses.

B. The Hittite HMC144LC4 part number is used for identification and comparison purposes only.

REV. A
ECO-009182
ED1501211
MDB-24H+
MCL NY
210811



ELECTRICAL SPECIFICATIONS¹ AT 25°C, UNLESS NOTED

| Parameter | Condition (GHz) | Min. | Typ. | Max. | Units |
|--|-----------------|------|------|------|-------|
| RF Frequency Range | - | 5 | - | 21.5 | GHz |
| LO Frequency Range | - | 5 | - | 21.5 | GHz |
| IF Frequency Range | - | DC | - | 5 | GHz |
| LO Power | - | +15 | | | dBm |
| Conversion Loss (at IF=30 MHz) | 5 | - | 6.9 | - | dB |
| | 10 | - | 9.0 | - | |
| | 15 | - | 7.9 | 8.9 | |
| | 20 | - | 9.4 | - | |
| | 21.5 | - | 10.3 | 11.7 | |
| LO-RF Isolation | 5 | - | 28 | - | dB |
| | 10 | - | 33 | - | |
| | 15 | 29 | 35 | - | |
| | 20 | - | 21 | - | |
| | 21.5 | - | 25 | - | |
| LO-IF Isolation | 5 | - | 28 | - | dB |
| | 10 | - | 36 | - | |
| | 15 | 35 | 44 | - | |
| | 20 | - | 36 | - | |
| | 21.5 | - | 39 | - | |
| RF-IF Isolation | 5 | - | 10 | - | dB |
| | 10 | - | 15 | - | |
| | 15 | - | 22 | - | |
| | 20 | - | 22 | - | |
| | 21.5 | - | 21 | - | |
| Input at 1dB Compression | 5-21.5 | - | 10 | - | dBm |
| Input IP3 | 5 | - | 14 | - | dBm |
| | 10 | - | 21 | - | |
| | 15 | - | 23 | - | |
| | 20 | - | 24 | - | |
| | 21.5 | - | 23 | - | |
| Noise Figure | 5 | - | 6.9 | - | dB |
| Thermal Resistance (junction-to-ground lead) | | - | 105 | - | °C/W |

1. Measured on Mini-Circuits Characterization test board TB-851+. See Characterization Test Circuit Figure 1

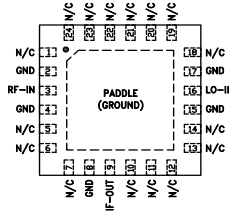
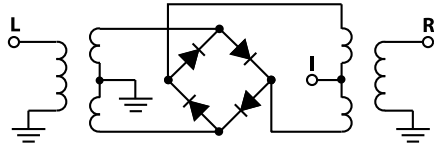
MAXIMUM RATINGS²

| Parameter | Ratings |
|-----------------------|----------------|
| Operating Temperature | -40°C to 85°C |
| Storage Temperature | -65°C to 150°C |
| RF Power | 21 dBm |
| LO Power | 21 dBm |
| IF Current | 30 mA |

2. Permanent damage may occur if any of these limits are exceeded. Electrical maximum ratings are not intended for continuous normal operation.



SIMPLIFIED SCHEMATIC AND BONDING PAD DESCRIPTION



PAD CONNECTIONS

| Function | Pad Number | Description |
|----------|----------------------|-------------------------|
| RF-IN | 3 | RF input |
| LO-IN | 16 | LO input |
| IF-OUT | 9 | IF input |
| GND | 2,4,8,15,17, Paddle | Connect to Ground |
| NC | 1, 5-7, 10-14, 18-24 | No connection, not used |

CHARACTERIZATION TEST CIRCUITS

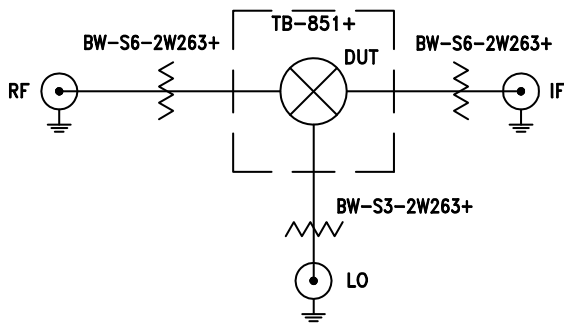


Figure 1A.
Block Diagram of Test Circuit used for characterization of Conversion Loss, Isolations (LO-RF, LO-IF, RF-IF) and Return Loss (LO, RF, IF)

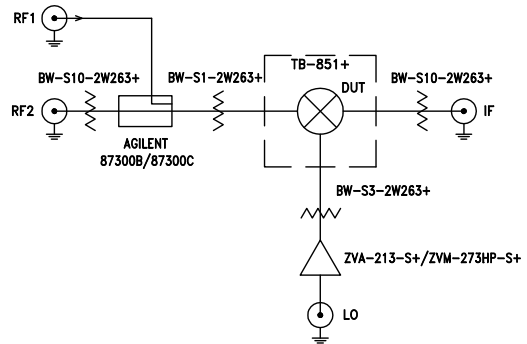


Figure 1B.
Block Diagram of Test Circuit used for characterization of Input IP3

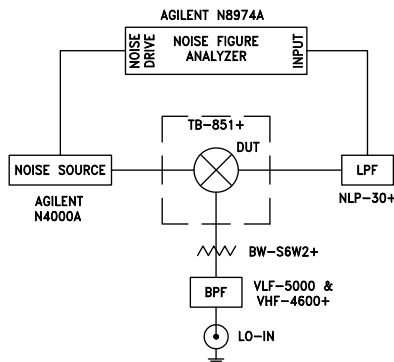
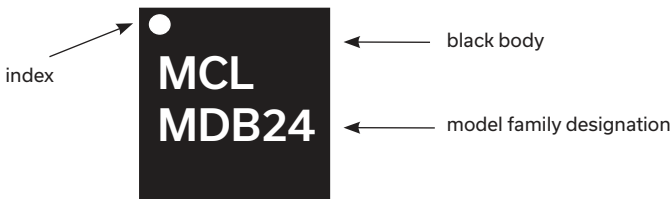


Figure 1C.
Block Diagram of Test Circuit used for characterization of Noise Figure

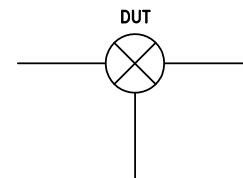
Figure 1. Block Diagram of Test Circuit used for characterization. (DUT soldered on Mini-Circuits Characterization test board TB-851+). Conversion Loss, Isolations; L-R, L-I & R-I are measured using R&S ZVA 24 microwave network analyzer. Input IP3 is measured Agilent MXA N9020A spectrum Analyzer and PSG E8257D Signal Generators. NF is measured using Agilent's N8974A NF Analyzer

- Conditions (Down Converter):
1. Conversion Loss, Isolations (L-R, L-I & R-I): RF= 0 dBm, LO=+15 dBm, IF=30 MHz
 2. Output IP3 (OIP3): Two tones, spaced 1 MHz apart, 0 dBm/tone at output.
 3. Noise Figure: LO=+15 dBm

PRODUCT MARKING



APPLICATION CIRCUIT





ADDITIONAL DETAILED TECHNICAL INFORMATION IS AVAILABLE ON OUR DASH BOARD. TO ACCESS [CLICK HERE](#)

| | |
|--|---|
| Performance Data | Data Table Swept Graphs S-Parameter (S1P Files) Data Set (.zip file) |
| Case Style | DG1847 Plastic package, exposed paddle, lead finish: matte-tin |
| Tape & Reel Standard quantities available on reel | F68 7" reels with 20, 50, 100, 200, 500 or 1K devices 13" Reels with 2K, 3K, 4K devices |
| Suggested Layout for PCB Design | PL-475 |
| Evaluation Board | TB-851-24H+ |
| Environmental Ratings | ENV08T1 |

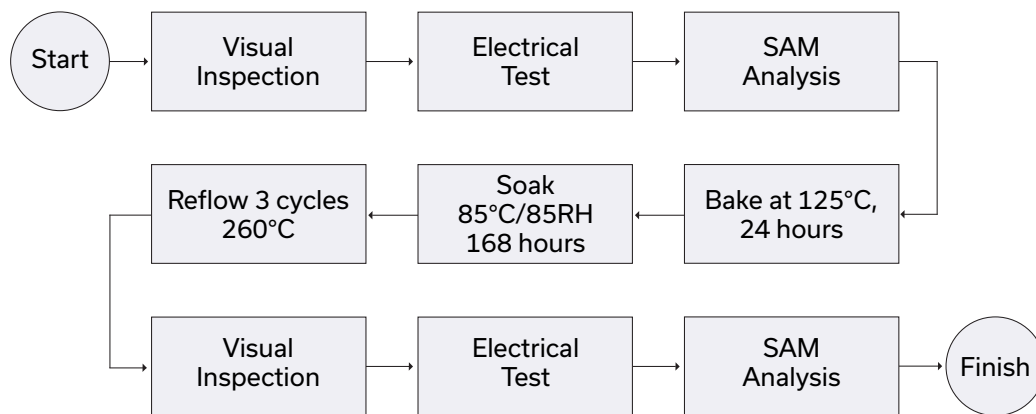
ESD RATING

Human Body Model (HBM): Class 1A (250 to <500V) in accordance with ANSI/ESD STM 5.1 - 2001

MSL RATING

Moisture Sensitivity: MSL1 in accordance with IPC/JEDEC J-STD-020D

MSL TEST FLOW CHART



- NOTES**
- A. Performance and quality attributes and conditions not expressly stated in this specification document are intended to be excluded and do not form a part of this specification document.
 - B. Electrical specifications and performance data contained in this specification document are based on Mini-Circuit's applicable established test performance criteria and measurement instructions.
 - C. The parts covered by this specification document are subject to Mini-Circuits standard limited warranty and terms and conditions (collectively, "Standard Terms"); Purchasers of this part are entitled to the rights and benefits contained therein. For a full statement of the standard. Terms and the exclusive rights and remedies thereunder, please visit Mini-Circuits' website at www.minicircuits.com/MCLStore/terms.jsp