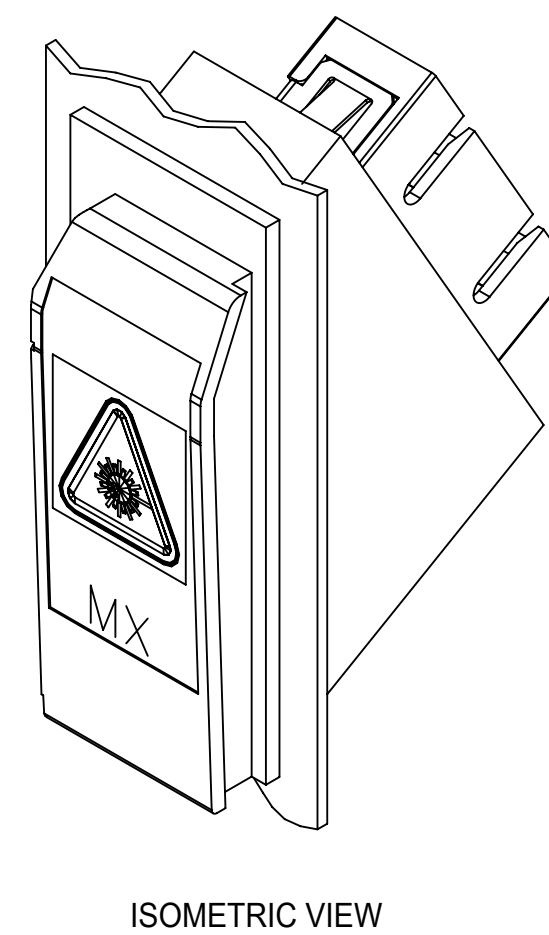
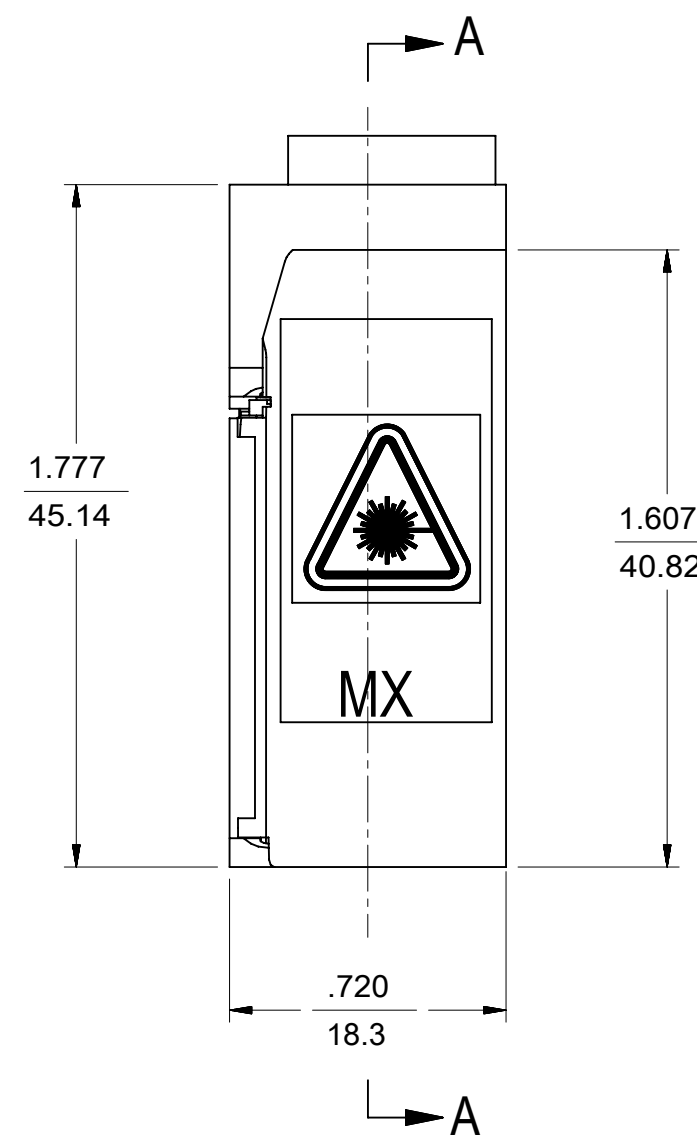
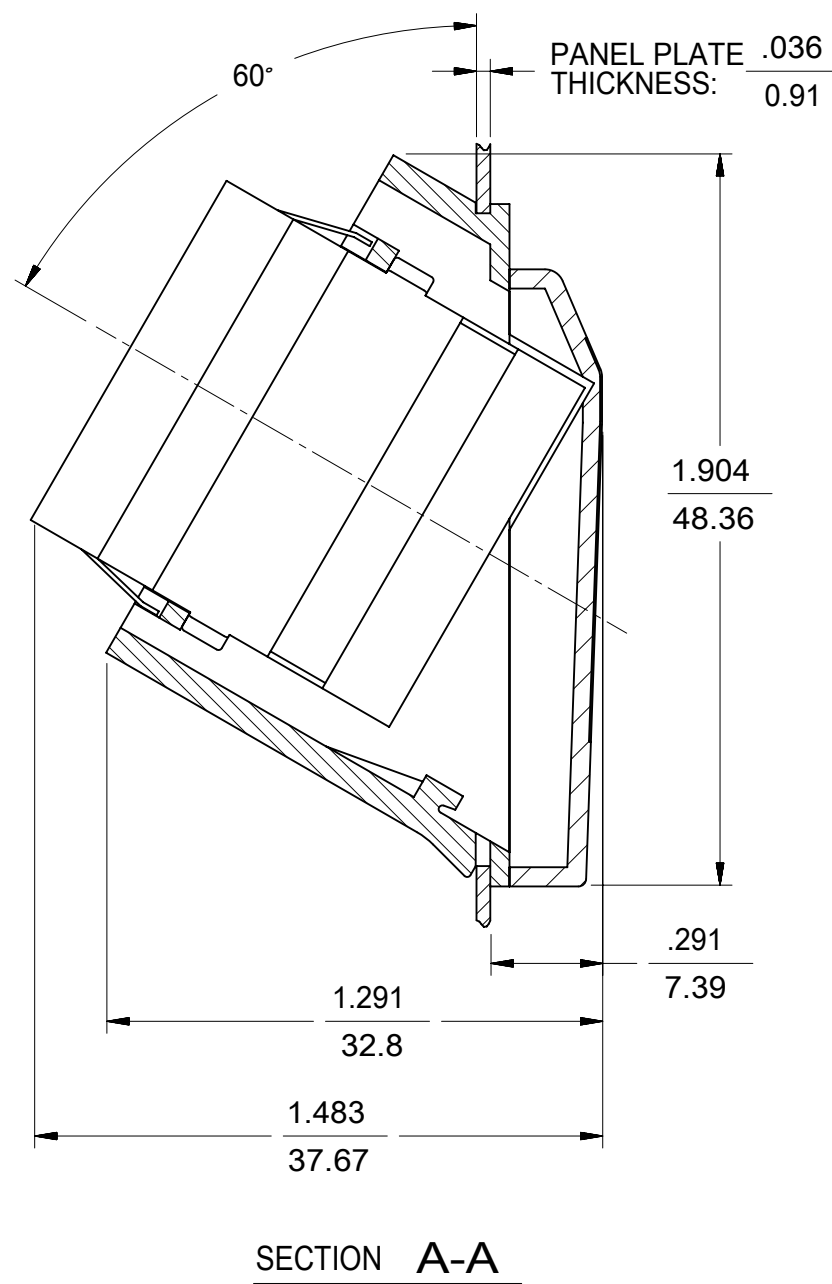
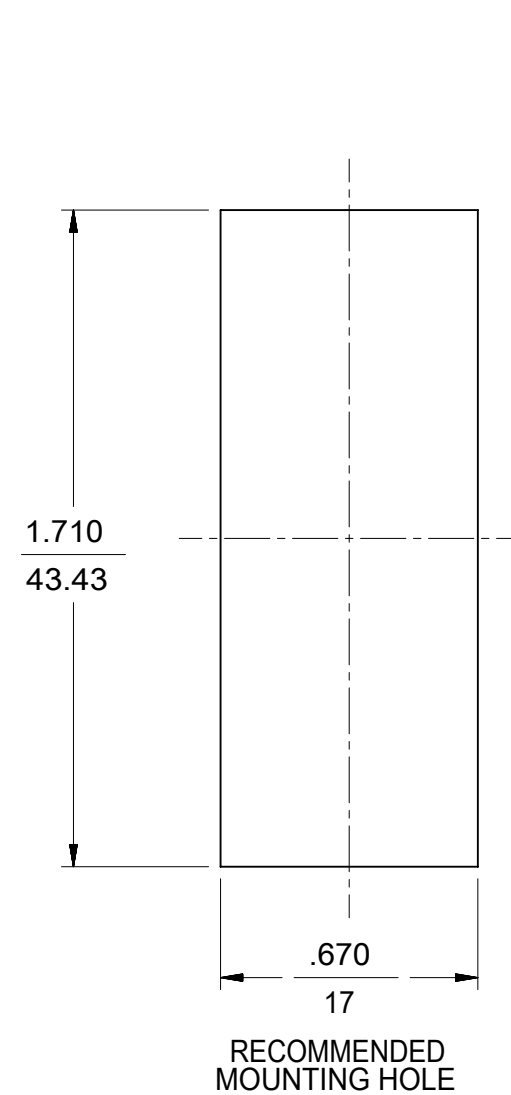
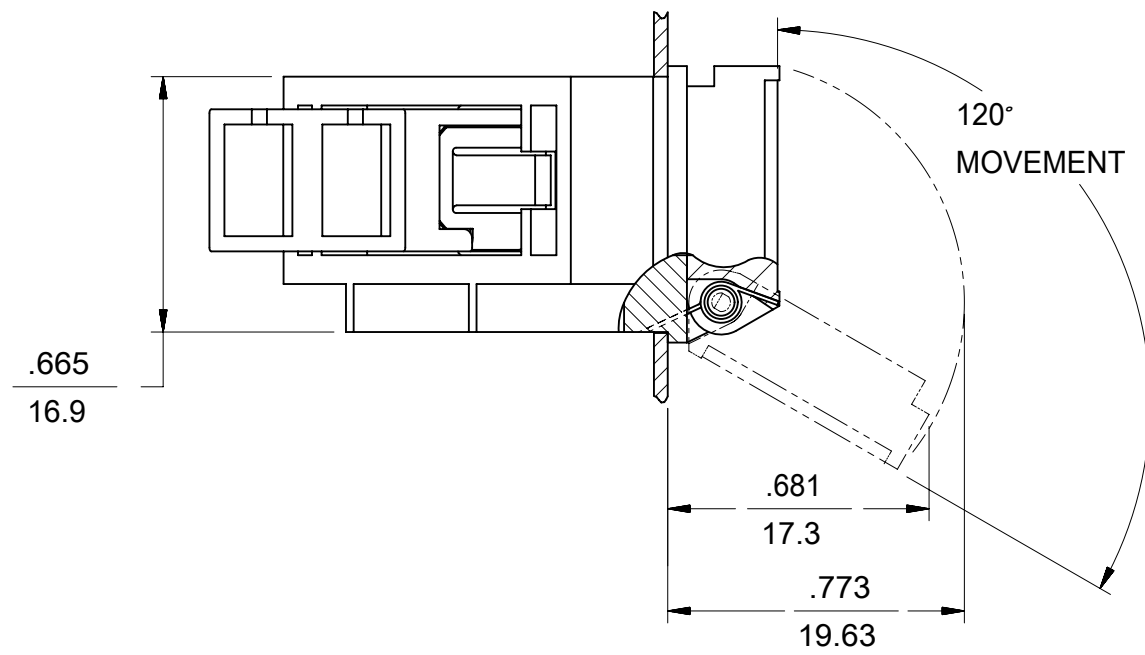


12	11	10	9	8	7	6	5	4	3	2	1
BEZEL P/N	SLEEVE MATERIAL	ADAPTER COLOR									
106004-3180	PHOSPHOR BRONZE	BLACK									
106004-3181	ZIRCONIA										



NOTE:
LABEL TO BE INSTALLED BY CUSTOMER.

THIS DRAWING CONTAINS INFORMATION THAT IS PROPRIETARY TO MOLEX ELECTRONIC TECHNOLOGIES, LLC AND SHOULD NOT BE USED WITHOUT WRITTEN PERMISSION											
DIMENSION UNITS		SCALE		CURRENT REV DESC:						molex	
IN/MM		1:1									
GENERAL TOLERANCES (UNLESS SPECIFIED)				EC NO: 620216		2018/04/19		DUPLEX BEZEL ADAPTER KIT (SC-SC) PRODUCT CUSTOMER DRAWING			
4 PLACES		±		DRWN: AKUMAR19		2019/07/09					
3 PLACES		±		CHK'D: GGA		2019/07/09		DOCUMENT NUMBER: SD-106004-318X DOC TYPE: PSD DOC PART: 001 REVISION: B			
2 PLACES		±		APPR: GGA		2019/07/09					
1 PLACE		±		INITIAL REVISION:				MATERIAL NUMBER: SEE TABLE CUSTOMER: GENERAL MARKET SHEET NUMBER: 1 OF 1			
0 PLACES		±		DRWN: RPACIFICI 2005/10/18							
ANGULAR TOL ± 0.5°				APPR:							
DRAFT WHERE APPLICABLE MUST REMAIN WITHIN DIMENSIONS				THIRD ANGLE PROJECTION		DRAWING		SERIES			
						C-SIZE		106004			

DOCUMENT STATUS	P1	RELEASE DATE	2019/07/09	04:12:09
-----------------	----	--------------	------------	----------