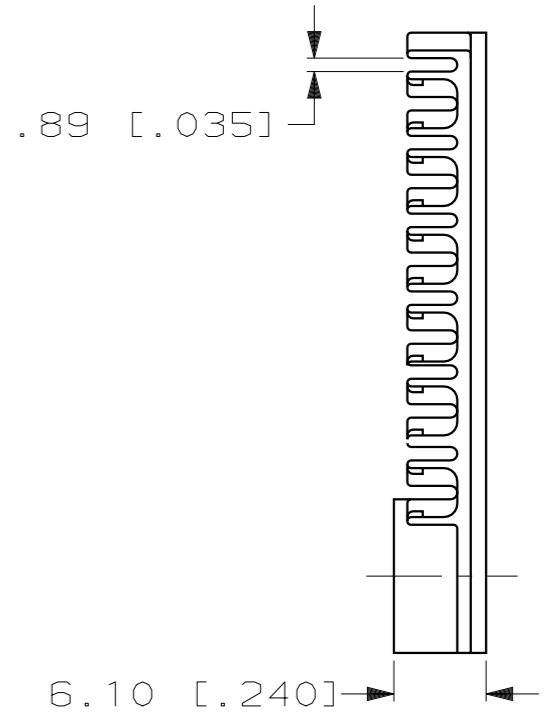
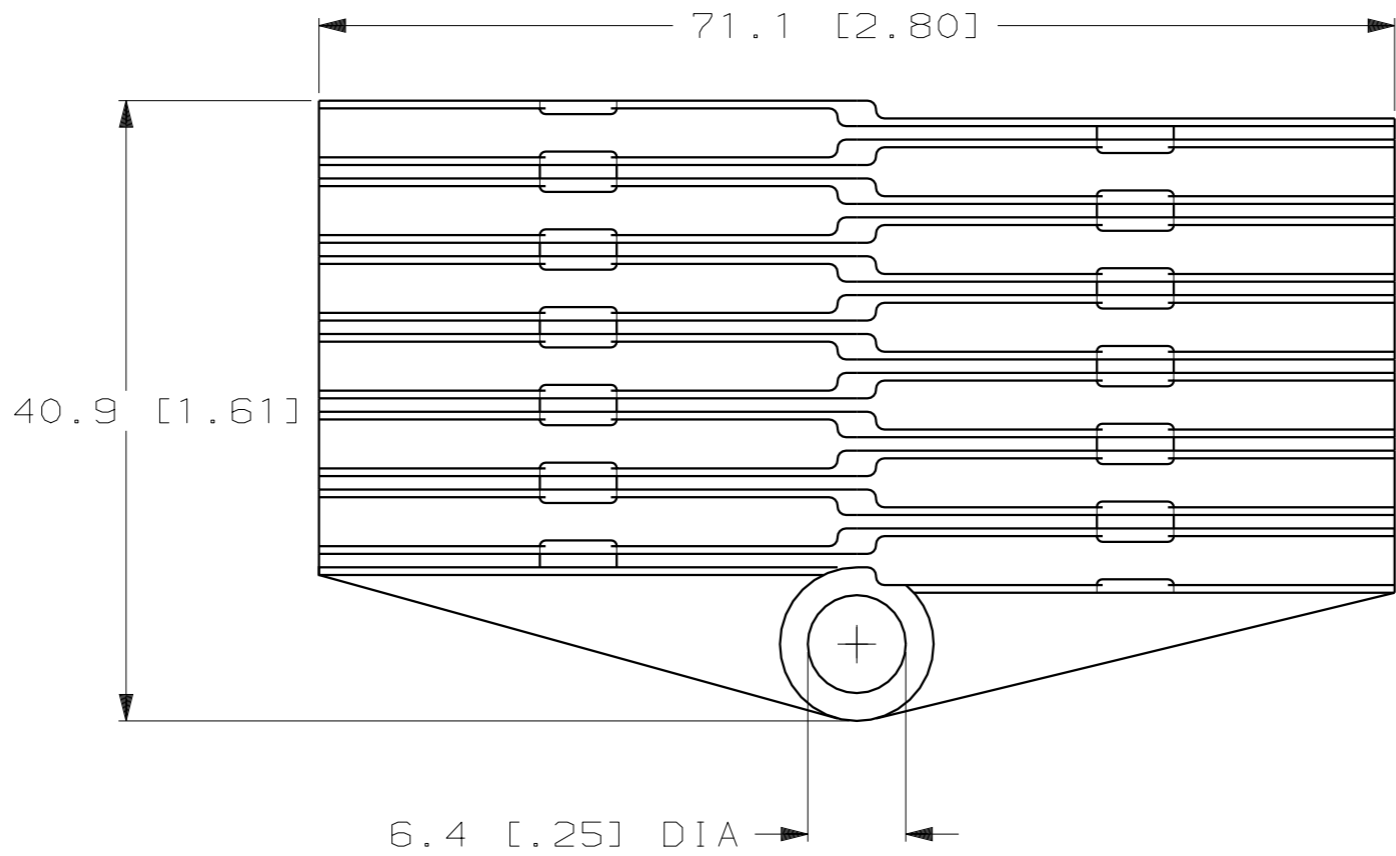
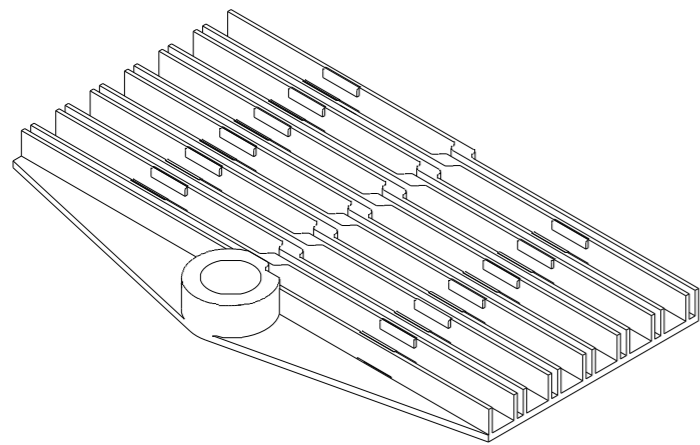


THIS DRAWING IS UNPUBLISHED. RELEASED FOR PUBLICATION, 19 .
 © COPYRIGHT 19 BY AMP INCORPORATED, HARRISBURG, PA. ALL INTERNATIONAL RIGHTS RESERVED. AMP PRODUCTS MAY BE COVERED BY U.S. AND FOREIGN PATENTS AND/OR PATENTS PENDING.

LOC	DIST	P	F	ZONE	LTR	REVISIONS	DATE	APPROVED
CE	16				A	CHNG PER ECN EC-909	-	/-



501540-1

PART NO

UNLESS OTHERWISE SPECIFIED
 DIMENSIONS ARE IN MM
 TOLERANCES ON:
 2 PL DEC ± .5 [.02]
 3 PL DEC ± .20 [.008]
 ANGLES ± -

MATERIAL	THERMOPLASTIC
FINISH	-

DR	CHK	APPD
APPD	PRODUCT SPEC	APPLICATION SPEC
WEIGHT	-	-

AMP AMP INCORPORATED
 Harrisburg, Pa. 17105

NAME SPLICE HOLDER ASSY		
SIZE B	FSCM NO 00779	DRAWING NO 501540
SCALE NTS	SHEET 1 OF 1	

RESTRICTED RELEASE:
 DRAWING MAY CHANGE
 WITHOUT CUSTOMER NOTIFICATION

METRIC