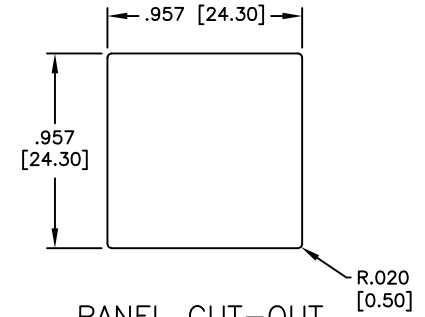
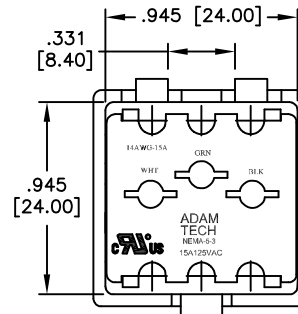
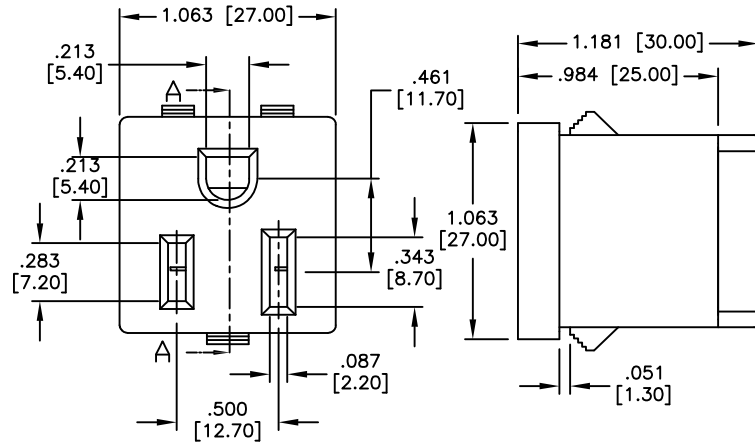
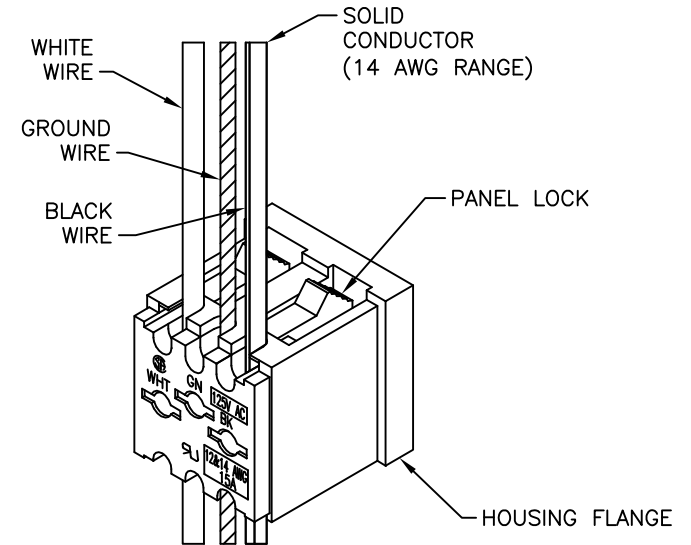
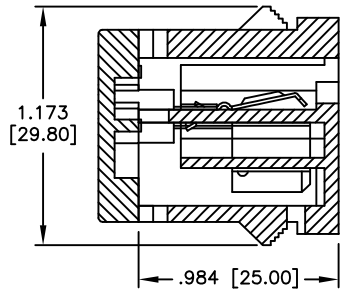
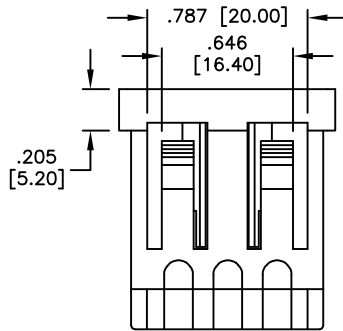


APPROVED: \_\_\_\_\_  
 DATE: \_\_\_\_\_ TITLE: \_\_\_\_\_

Rev	AWO #	Description	Date	Appr
-		RELEASED	1/19/05	
A		REVISED SHAPE & DIM.	2/18/14	AY/KW
B		CHG'D CONTACT MATERIAL TO BRASS	10/17/16	AY/KW
C		CHG'D MTL TO C2680, EH, Hardness: HV 183	11/24/16	AY/KW



PANEL CUT-OUT  
 Panel Thickness:  
 0.8mm to 1.5mm



**SPECIFICATIONS:**

Material:  
 Insulator: Nylon 66, rated UL94V-0  
 Insulator color: Black  
 Contacts: Brass, C2680, Level: EH, Hardness: HV 183, Tin plated  
 Electrical:  
 Operating voltage: (C-ULus) 125 VAC  
 Current rating: (C-ULus) 15 Amps max.  
 Insulation resistance: 100 Mohms min. @ 500 VDC  
 Dielectric withstanding voltage: 3,000 VAC for 1 minute  
 Recommended wire size: 14 AWG solid  
 Environmental:  
 Lead free, RoHS Compliant



UNLESS OTHERWISE SPECIFIED  
 ALL DIMENSIONS ARE INCHES [MM]  
 TOLERANCES: EXCEPT AS NOTED

INCHES		HOLES	
.X	± .10	∅X	± .10
.XX	± .020	∅XX	± .015
.XXX	± .015	∅XXX	± .010

**ADAM TECH**

909 Rahway Avenue, Union, NJ 07083  
 Phone: 908-687-5000 Fax: 908-687-5710

APPROVALS		DATE
DRAWN	SS	1/19/05
CHECKED		
APPROVED		

TITLE		
NEMA UNIVERSAL PANEL SNAP RECEPTACLE		
SIZE	PART NO.	REV.
X	NEMA-5-3	C
REF:	S00087C	SCALE: NTS
		SHEET 1 OF 1