

MATERIALS AND FINISHES

BODY, CAP: BRASS  
PLATED SEE TABLE

CENTER CONTACT: BRASS  
PLATED GOLD

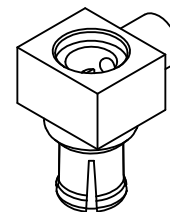
INSULATOR, SPACER: TEFLON

OUTER CONTACT: BERYLLIUM COPPER  
PLATED GOLD

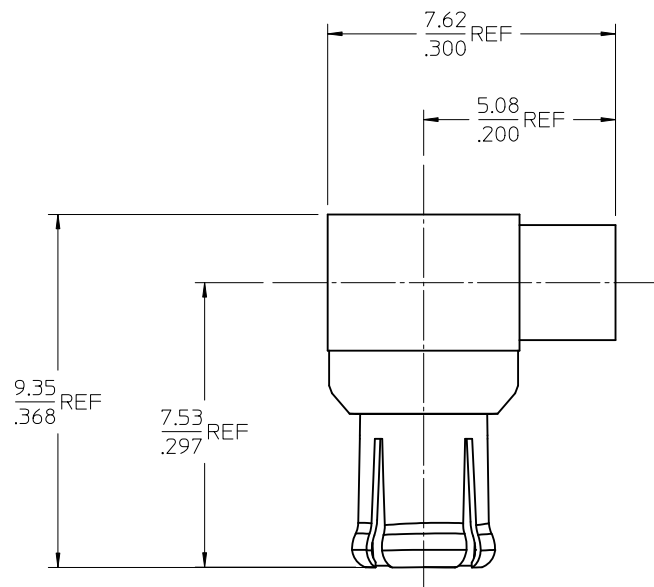
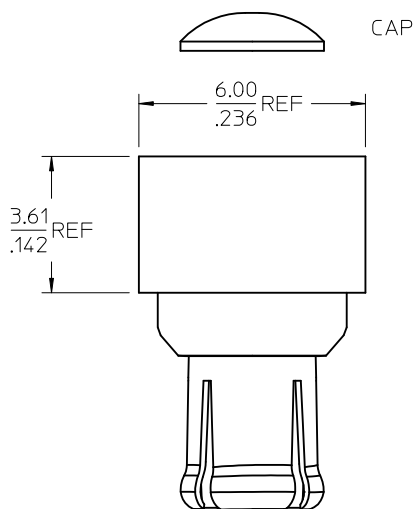
SOLDER

2.79  
.110 REF

.086 OR EQUIVALENT CABLE  
BELDEN 1671J (SHOWN)



7.11  
.280 REF



PS-89675-1740	PRODUCT SPECIFICATION
CECC-22-220	INTERFACE
SPECIFICATION	DESCRIPTION

73415-2383	GOLD	GOLD	-
73415-2382	NICKEL	NICKEL	73366-6032
73415-2381	GOLD	GOLD	73366-6030
73415-2380	TIN	NICKEL	73366-6031
PART NO.	BODY	CAP	SAME AS
	FINISH	FINISH	

ADDED P/N: 73415-2383 PER PDR110908 EC NO: URF2012-0568 DRW:LIN 2011/10/07 CHKD: APPR:MHUANG 2012/04/11 REV: B1	QUALITY SYMBOLS ▽=0 ▽=0	GENERAL TOLERANCES (UNLESS SPECIFIED) <table border="1"> <tr> <th></th> <th>mm</th> <th>INCH</th> </tr> <tr> <td>4 PLACES</td> <td>± .005</td> <td>± .0002</td> </tr> <tr> <td>3 PLACES</td> <td>± .005</td> <td>± .0002</td> </tr> <tr> <td>2 PLACES</td> <td>± .005</td> <td>± .0002</td> </tr> <tr> <td>1 PLACE</td> <td>± .005</td> <td>± .0002</td> </tr> </table> ANGULAR ± 2°		mm	INCH	4 PLACES	± .005	± .0002	3 PLACES	± .005	± .0002	2 PLACES	± .005	± .0002	1 PLACE	± .005	± .0002	DIMENSION STYLE MM/IN DRAWN BY DATE SSS 2000/07/26 CHECKED BY DATE TEF 2000/07/27 APPROVED BY DATE GMH 2000/07/27	SCALE DESIGN UNITS METRIC THIRD ANGLE PROJECTION	TITLE MCX PLUG, R/A 50 OHMS FOR 086 CABLE MCX-PC	MATERIAL NO. SEE TABLE SIZE C	DOCUMENT NO. SD-73415-238 SHEET NO. 1 OF 1
		mm	INCH																			
	4 PLACES	± .005	± .0002																			
	3 PLACES	± .005	± .0002																			
2 PLACES	± .005	± .0002																				
1 PLACE	± .005	± .0002																				
DRAFT WHERE APPLICABLE MUST REMAIN WITHIN DIMENSIONS																						
THIS DRAWING CONTAINS INFORMATION THAT IS PROPRIETARY TO MOLEX INCORPORATED AND SHOULD NOT BE USED WITHOUT WRITTEN PERMISSION																						
MOLEX MOLEX INCORPORATED																						

MATERIALS AND FINISHES

BODY, CAP: BRASS  
PLATED SEE TABLE

CENTER CONTACT: BRASS  
PLATED GOLD

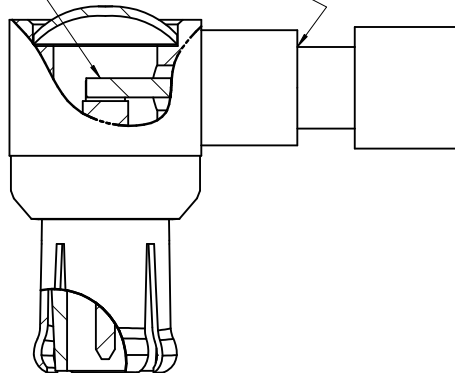
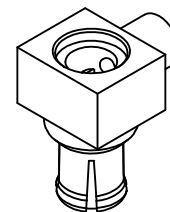
INSULATOR, SPACER: TEFLON

OUTER CONTACT: BERYLLIUM COPPER  
PLATED GOLD

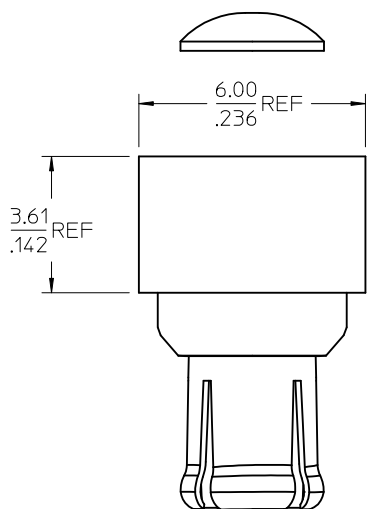
SOLDER

$\frac{2.79}{.110}$  REF

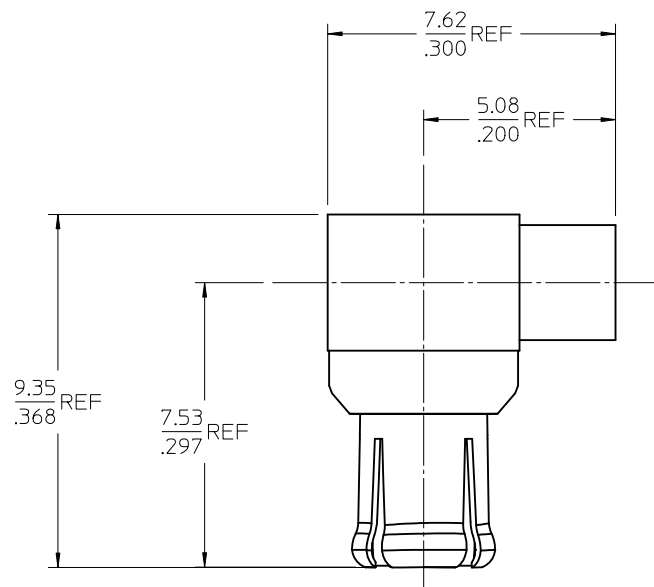
.086 OR EQUIVALENT CABLE  
BELDEN 1671J (SHOWN)



$\frac{7.11}{.280}$  REF



CAP



PS-89675-1740	PRODUCT SPECIFICATION
CECC-22-220	INTERFACE
SPECIFICATION	DESCRIPTION

73415-2383	GOLD	GOLD	-
73415-2382	NICKEL	NICKEL	73366-6032
73415-2381	GOLD	GOLD	73366-6030
73415-2380	TIN	NICKEL	73366-6031
PART NO.	BODY	CAP	SAME AS
	FINISH	FINISH	

ADDED P/N: 73415-2383 PER PDR110908 EC NO: URF2012-0568 DRW:LIN 2011/10/07 CHKD: APPR:HUANG 2012/04/11 REV: B1	QUALITY SYMBOLS = 0 = 0	GENERAL TOLERANCES (UNLESS SPECIFIED) <table border="1"> <tr> <th></th> <th>mm</th> <th>INCH</th> </tr> <tr> <td>4 PLACES</td> <td>± .005</td> <td>± .0002</td> </tr> <tr> <td>3 PLACES</td> <td>± .005</td> <td>± .0002</td> </tr> <tr> <td>2 PLACES</td> <td>± .005</td> <td>± .0002</td> </tr> <tr> <td>1 PLACE</td> <td>± .005</td> <td>± .0002</td> </tr> </table> ANGULAR ± 2°		mm	INCH	4 PLACES	± .005	± .0002	3 PLACES	± .005	± .0002	2 PLACES	± .005	± .0002	1 PLACE	± .005	± .0002	DIMENSION STYLE MM/IN DRAWN BY DATE SSS 2000/07/26 CHECKED BY DATE TEF 2000/07/27 APPROVED BY DATE GMH 2000/07/27	SCALE DESIGN UNITS METRIC THIRD ANGLE PROJECTION	TITLE MCX PLUG, R/A 50 OHMS FOR 086 CABLE MCX-PC	MATERIAL NO. SEE TABLE SIZE C	DOCUMENT NO. SD-73415-238 SHEET NO. 1 OF 1
		mm	INCH																			
	4 PLACES	± .005	± .0002																			
	3 PLACES	± .005	± .0002																			
2 PLACES	± .005	± .0002																				
1 PLACE	± .005	± .0002																				
DRAFT WHERE APPLICABLE MUST REMAIN WITHIN DIMENSIONS																						
THIS DRAWING CONTAINS INFORMATION THAT IS PROPRIETARY TO MOLEX INCORPORATED AND SHOULD NOT BE USED WITHOUT WRITTEN PERMISSION																						
MOLEX INCORPORATED																						