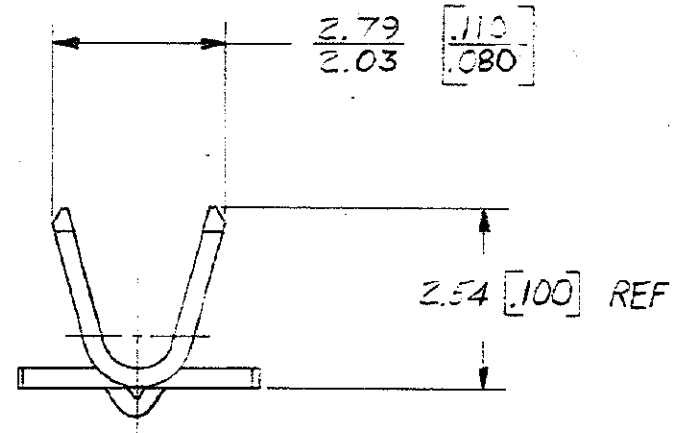
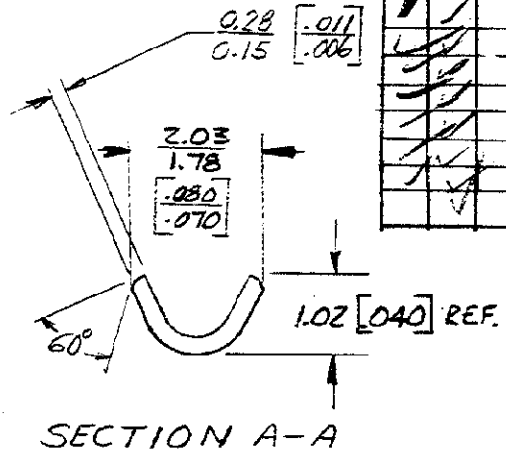
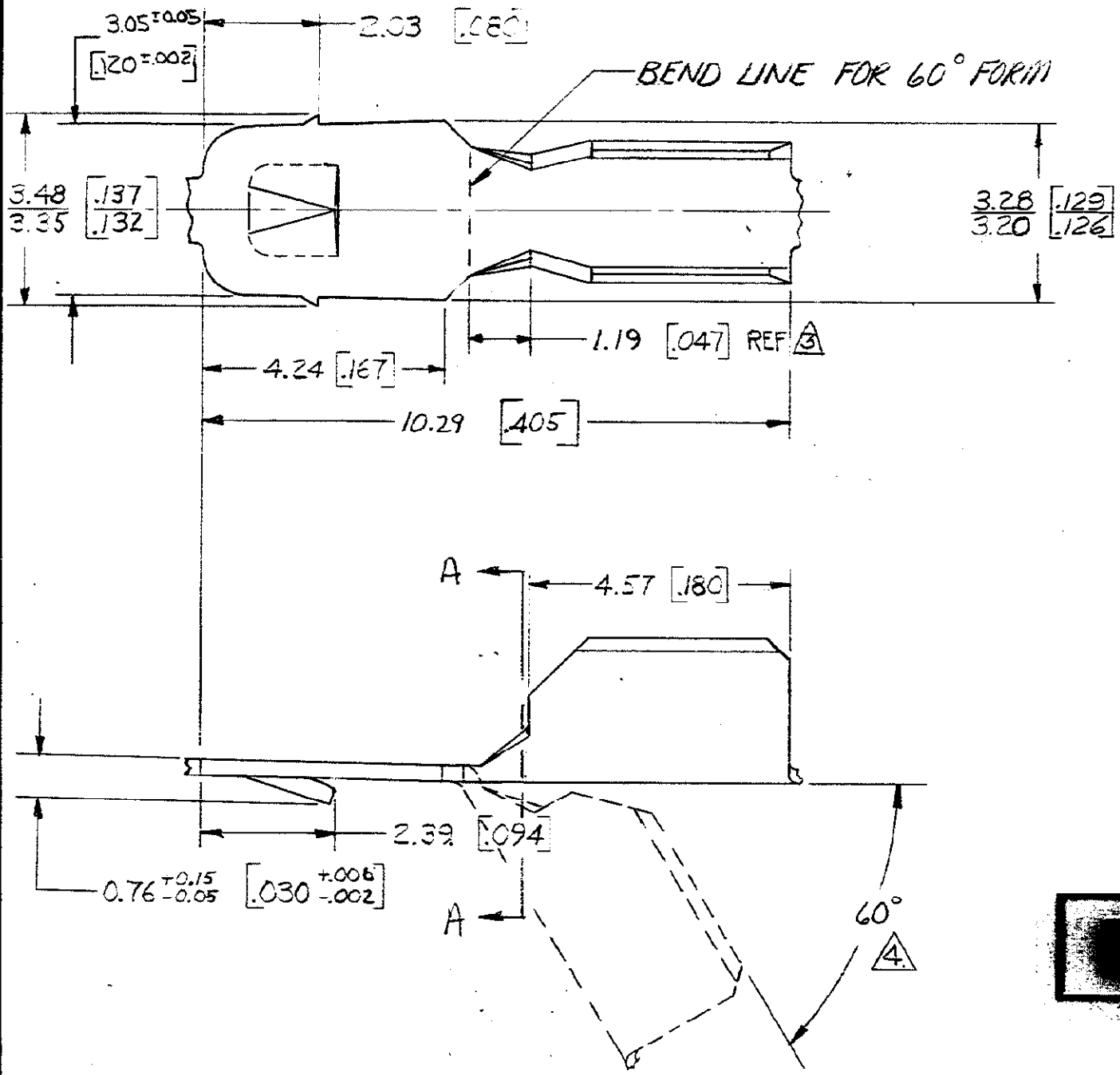


© COPYRIGHT 1978 BY AMP INCORPORATED, HARRISBURG, PA. ALL INTERNATIONAL RIGHTS RESERVED. AMP INCORPORATED PRODUCTS COVERED BY U. S. AND FOREIGN PATENTS AND/OR PATENTS PENDING.

REVOLUTIONS		DATE	APPROVED
✓	A	9-29-78	SS/BHWL
✓	B	12/20/78	SS/LTF
✓	C	1/10/79	67ENL
✓	D	2/12/79	SS/BHWL
✓	E	3/14/79	SS/BHWL
✓	F	3/26/79	SS/BHWL
✓	G	8-1-79	SS/BHWL
✓	H	5/19/80	SS/BHWL
✓	J	1-29-81	RTJ/JS
✓	K	6-5-86	MSF/64



1. CONTINUOUS STRIP ON REELS
2. DIMS IN BRACKETS ARE IN INCHES.
3. ROLLED UP TRANSITION TO HAVE OUTSIDE SWAGE.
4. MATERIAL TO BE FREE OF FRACTURE AFTER 60° FORMING BEND.
5. DIMENSIONS OF SEC A-A IN TRANSITION AREA TO BE MEASURED DIRECTLY ADJACENT TO EDGE OF WIRE BARREL.
6. FEED OVER EIGHT (8) TERMINALS SHALL BE 95.5 ±.25 [3.760 ±.010] WITH GAGE PER AMP DWG. 104356

METRIC

TIN OVER COPPER	03-09 ^{mm} [22-18]	62804-2
NONE	03-09 ^{mm} [22-18]	62804-1
FINISH	WIRE RANGE	PART NO

UNLESS OTHERWISE SPECIFIED DIMENSIONS ARE IN INCHES. MM TOLERANCES ON DECIMALS ±0.38 [015] ANGLES ±	CONTRACT NO	AMP INCORPORATED Harrisburg, Pa.	
	DR: Schaffhauer 8/15/78	NAME BOBBIN TERMINAL	
MATERIAL 0.30 [012] BRASS	CHK: G Yetter 8-16-78	SIZE B	CODE IDENT NO 00779
FINISH	APPD: [Signature] 8-21-78	DRAWING NO	62804
	DSGN APPD: [Signature] 8-22-78	SCALE	SHEET
	OTHER APPD		