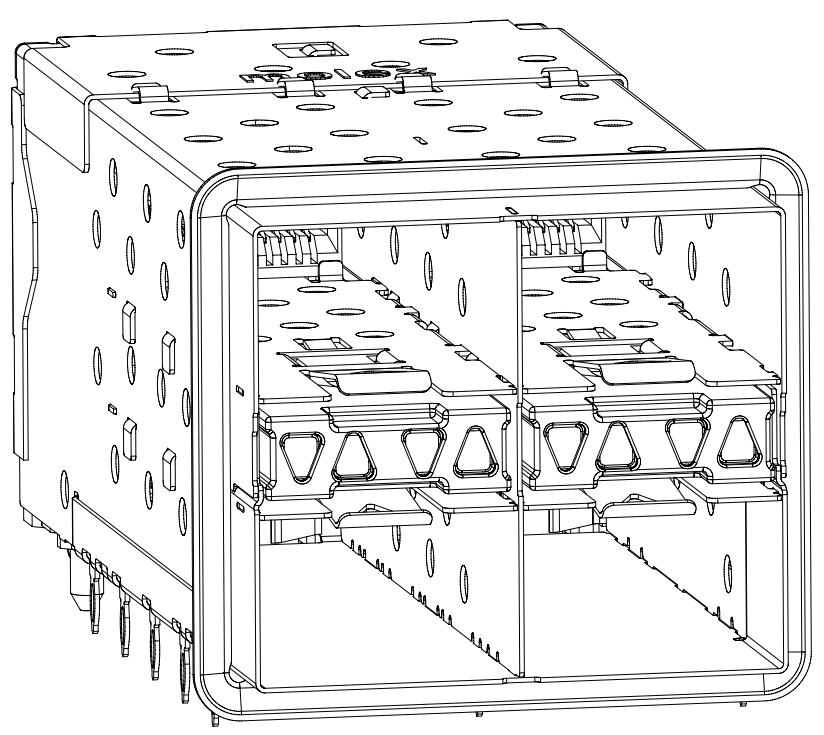


NOTES

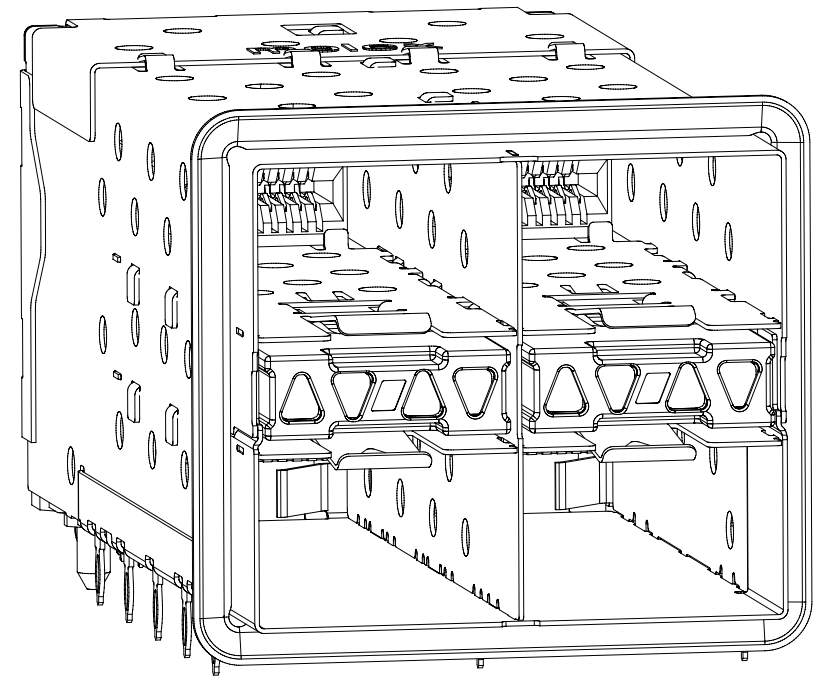
- MATERIAL:**
 CAGE: NICKEL SILVER, THICKNESS: 0.25mm
 CONNECTOR HOUSING: GLASS FILLED LIQUID CRYSTAL POLYMER (LCP), UL 94V-0, COLOR: BLACK
 OVERMOLD TERMINAL HOUSING: GLASS FILLED LIQUID CRYSTAL POLYMER (LCP), UL 94V-0, COLOR: BLACK
 TERMINALS: TIN BRASS
 EMI GASKET: CONDUCTIVE ELASTOMER
 LIGHTPIPE HOUSING: ZINC
 LIGHTPIPES: POLYCARBONATE, COLOR: CLEAR
- FINISHES:**
 TERMINALS: CONTACT AREA: 0.76 MICROMETERS MINIMUM HARD GOLD OVER 1.27 MICROMETERS MINIMUM NICKEL.
 COMPLIANT TAIL - MATTE TIN/LEAD OPTION: 0.76 TO 1.52 MICROMETERS 90/10 MATTE TIN-LEAD OVER 0.76 MICROMETERS MINIMUM NICKEL.
 COMPLIANT TAIL - MATTE TIN OPTION: 0.76 TO 1.52 MICROMETERS MATTE TIN OVER 0.76 MICROMETERS MINIMUM NICKEL.
 LIGHTPIPE HOUSING: 80 MICROMETERS MINIMUM NICKEL OVER COPPER
- REFER TO PS-75310-001 PROTECT SPEC FOR ALL ELECTRICAL, MECHANICAL, AND ENVIRONMENTAL SPECIFICATIONS.
- LIGHT PIPE PAD LAYOUT IS FOR O805 LOW-PROFILE LED PACKAGE, FOR OTHER RECOMMENDED LAYOUTS REFER TO MOLEX'S REPORT TS-75310-001.
- REFER TO PK-75714-001 FOR ALL PACKAGING SPECIFICATIONS.
- ALL EXTERIOR SURFACES TO BE A CLASS "B" SURFACE EXCEPT THE UNDER SIDE OF THE CAGE WHERE THE PCB WOULD BE LOCATED AND AS NOTED. THE SURFACES TO CONFORM TO THE MOLEX COSMETIC DOC PS-45499-002.
- REFER TO AS-76090-001 FOR HIGH SPEED ROUTING RECOMMENDATIONS.
- DATE CODE LOCATION IS SHOWN ABOVE.
 DATE CODE FORMAT: DDDY MX A1
 DDD = DAY OF THE YEAR
 Y = YEAR
 MX = MOLEX
 A = ALPHA CHARACTER - INDICATES MANUFACTURING LINE
 1 = NUMERIC CHARACTER - INDICATES PRODUCTION SHIFT

PART NUMBER	LIGHT PIPE CONFIGURATION (SEE SHEET 2)	COMPLIANT TAIL PLATING	CAGE PLATING
760910001	4 LIGHT PORTS	MATTE TIN / LEAD	N/A
760910002	INNER 2 PORTS	MATTE TIN / LEAD	N/A
760910003	OUTER 2 PORTS	MATTE TIN / LEAD	N/A
760915001	4 LIGHT PORTS	MATTE TIN	N/A
760915002	INNER 2 PORTS	MATTE TIN	N/A
760915003	OUTER 2 PORTS	MATTE TIN	N/A
760910001	4 LIGHT PORTS - SPECIAL CONFIGURATION	MATTE TIN	N/A

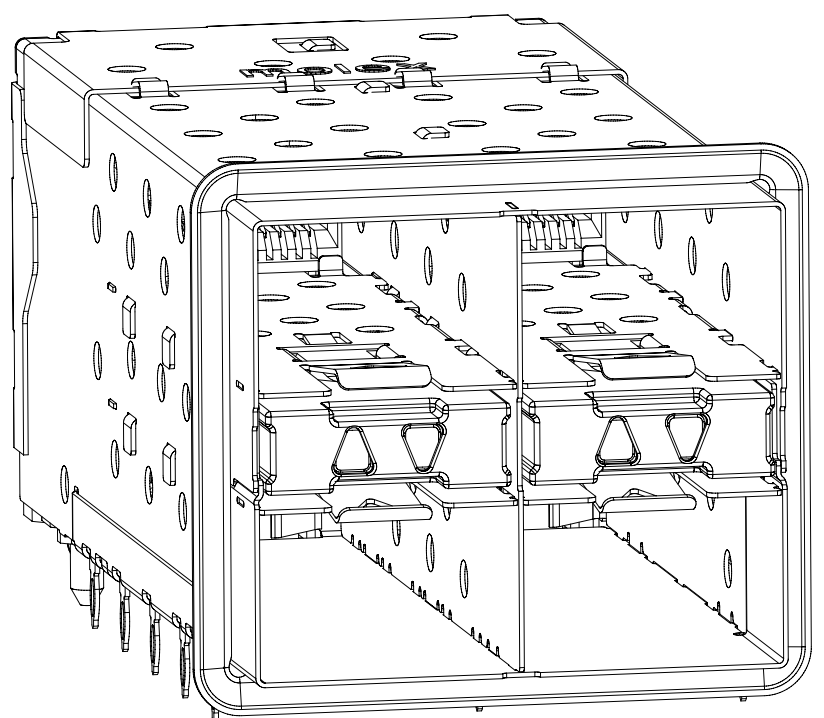
SYMBOLS		THIS DRAWING CONTAINS INFORMATION THAT IS PROPRIETARY TO MOLEX ELECTRONIC TECHNOLOGIES, LLC AND SHOULD NOT BE USED WITHOUT WRITTEN PERMISSION		CURRENT REV DESC: UPDATE FLANGE		molex	
▽ = 0	mm	SCALE	3:1	EC NO: 174126			
▽ = 0	GENERAL TOLERANCES (UNLESS SPECIFIED)			DRWN: SVANG01 2018/01/22		PRODUCT CUSTOMER DRAWING	
▽ = 0	ANGULAR TOL	± 5.0°		CHK'D: MWOLFE 2018/03/23		DOCUMENT NUMBER	
▽ = 0	4 PLACES	±		APPR: SMILLER 2018/03/23		DOC TYPE DOC PART REVISION	
▽ = 0	3 PLACES	±		INITIAL REVISION:		SD-76091-001	
▽ = 0	2 PLACES	± 0.13		DRWN: JLONG 2007/02/05		PSD 001 G	
▽ = 0	1 PLACE	± 0.25		APPR: RNELSON 2007/02/06		MATERIAL NUMBER	
▽ = 0	0 PLACES	±		THIRD ANGLE PROJECTION		CUSTOMER	
▽ = 0	DRAFT WHERE APPLICABLE MUST REMAIN WITHIN DIMENSIONS			DRAWING		SHEET NUMBER	
▽ = 0				C-SIZE		SEE TABLE	
				SERIES		GENERAL MARKET	
				76091		1 OF 4	



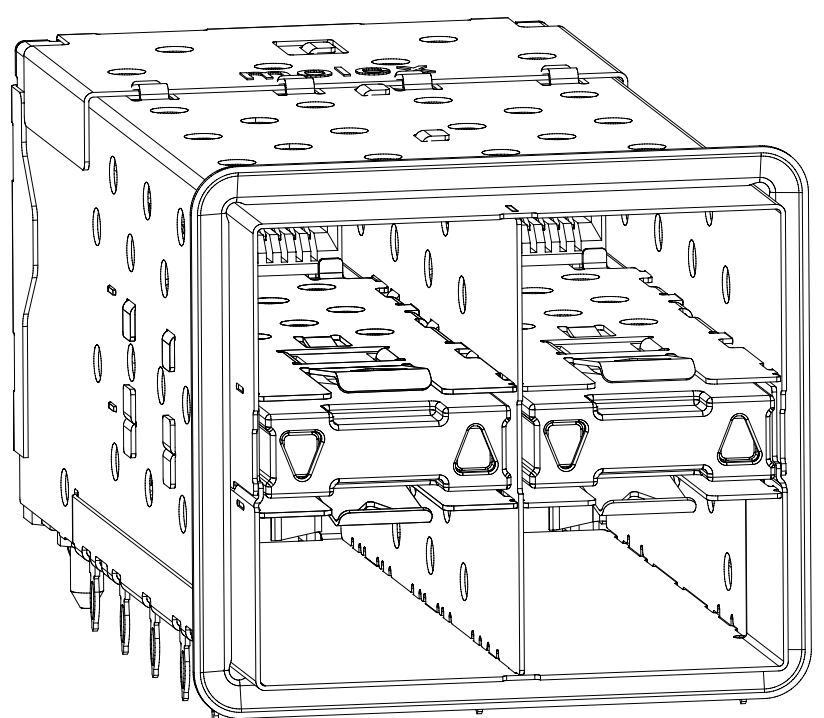
760910001 & 760915001
WITH INNER & OUTER LIGHTPIPE PORTS



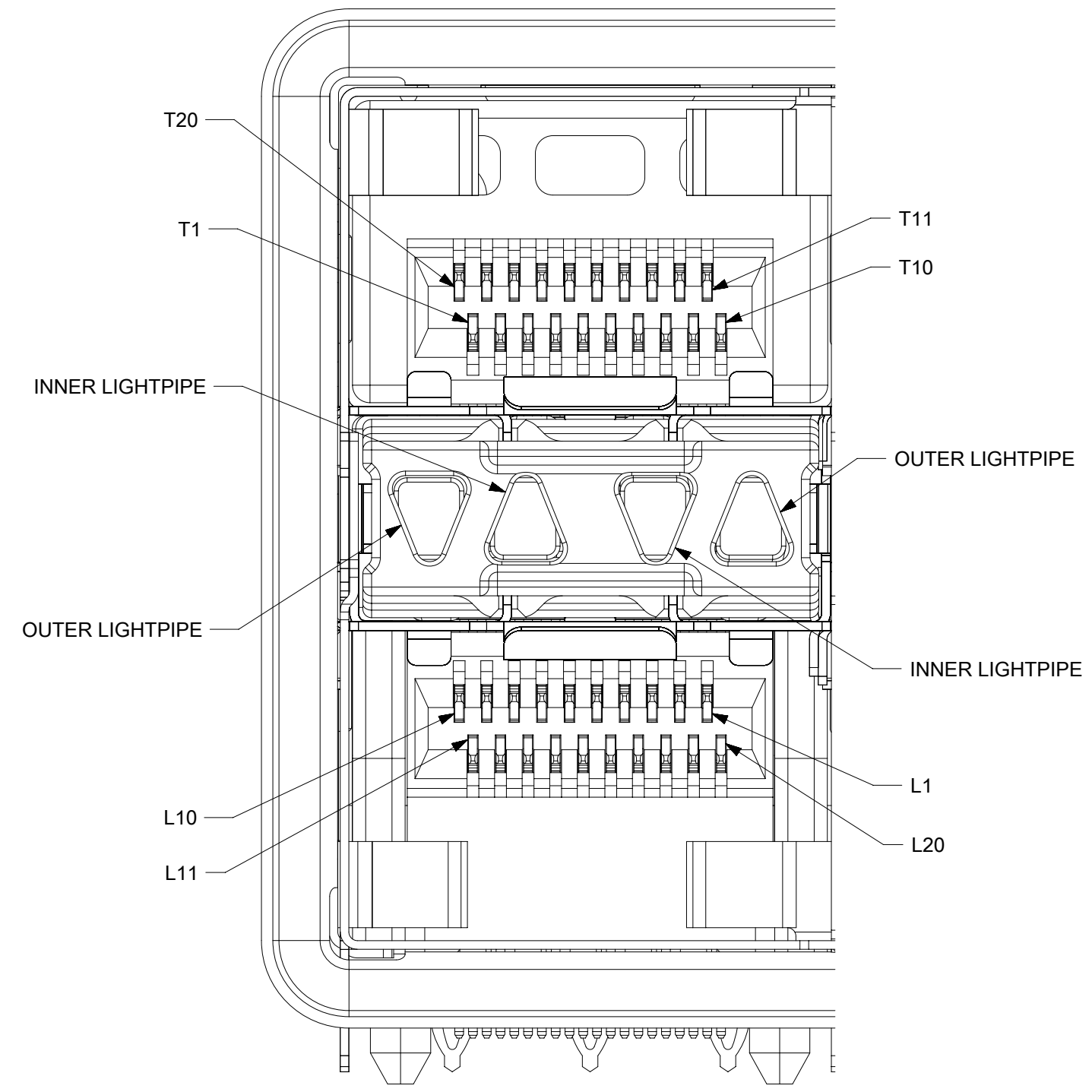
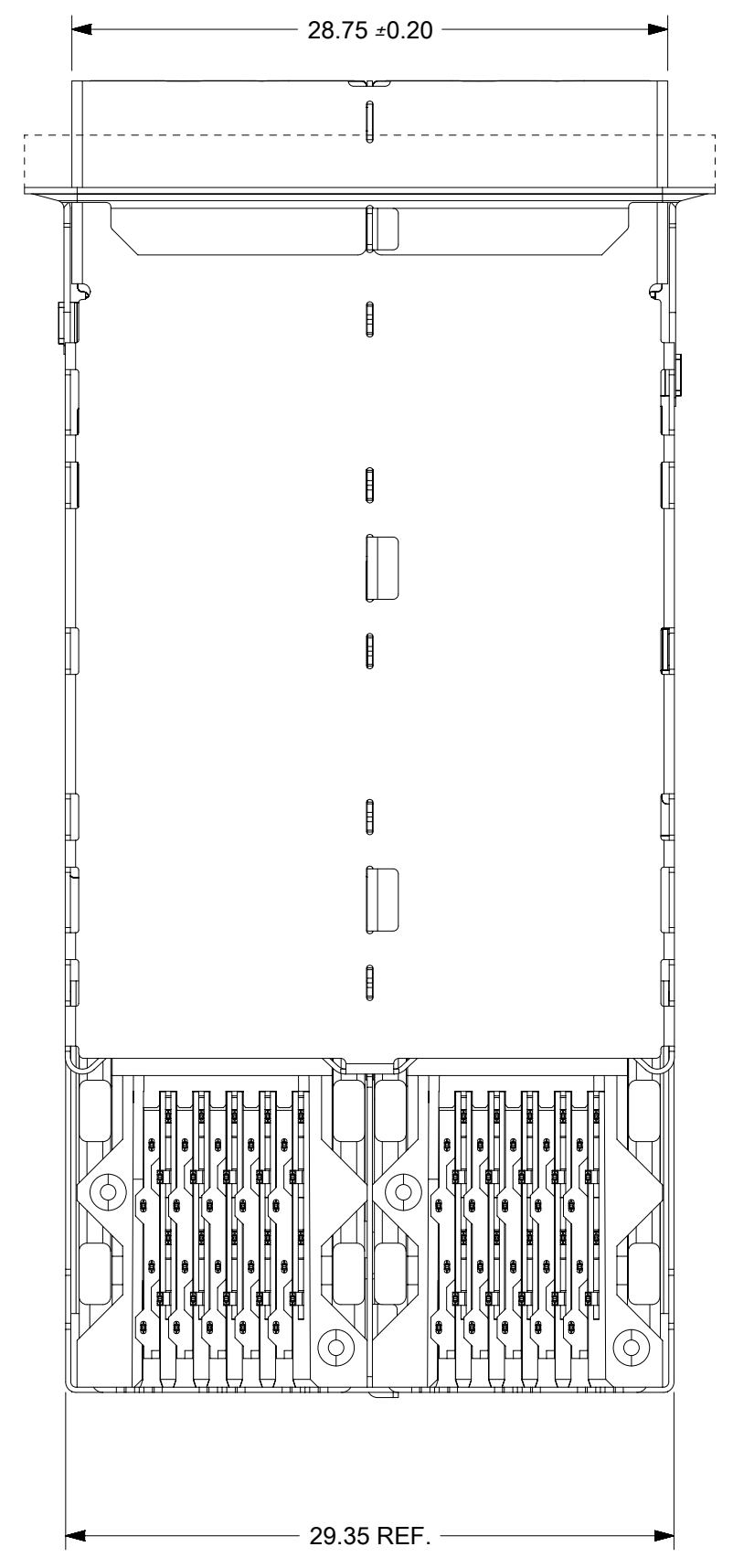
760915005
WITH INNER & OUTER LIGHTPIPE PORTS
SPECIAL CONFIGURATION



760910002 & 760915002
WITH INNER LIGHTPIPE PORTS

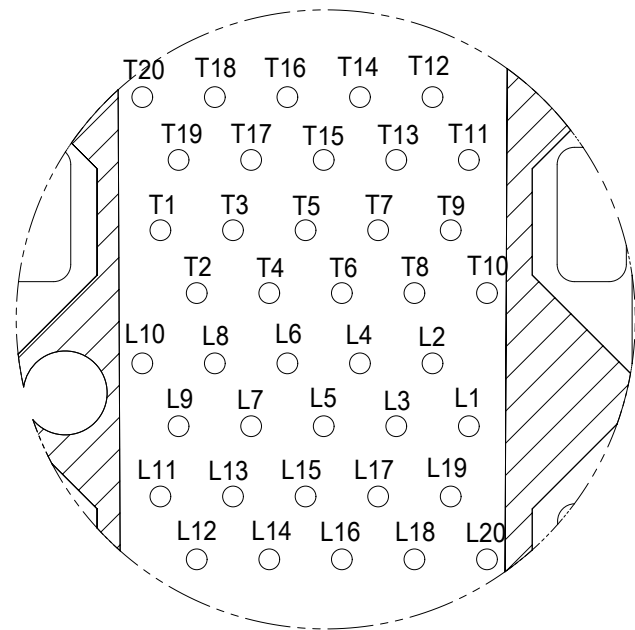


760910003 & 760915003
WITH OUTER LIGHTPIPE PORTS

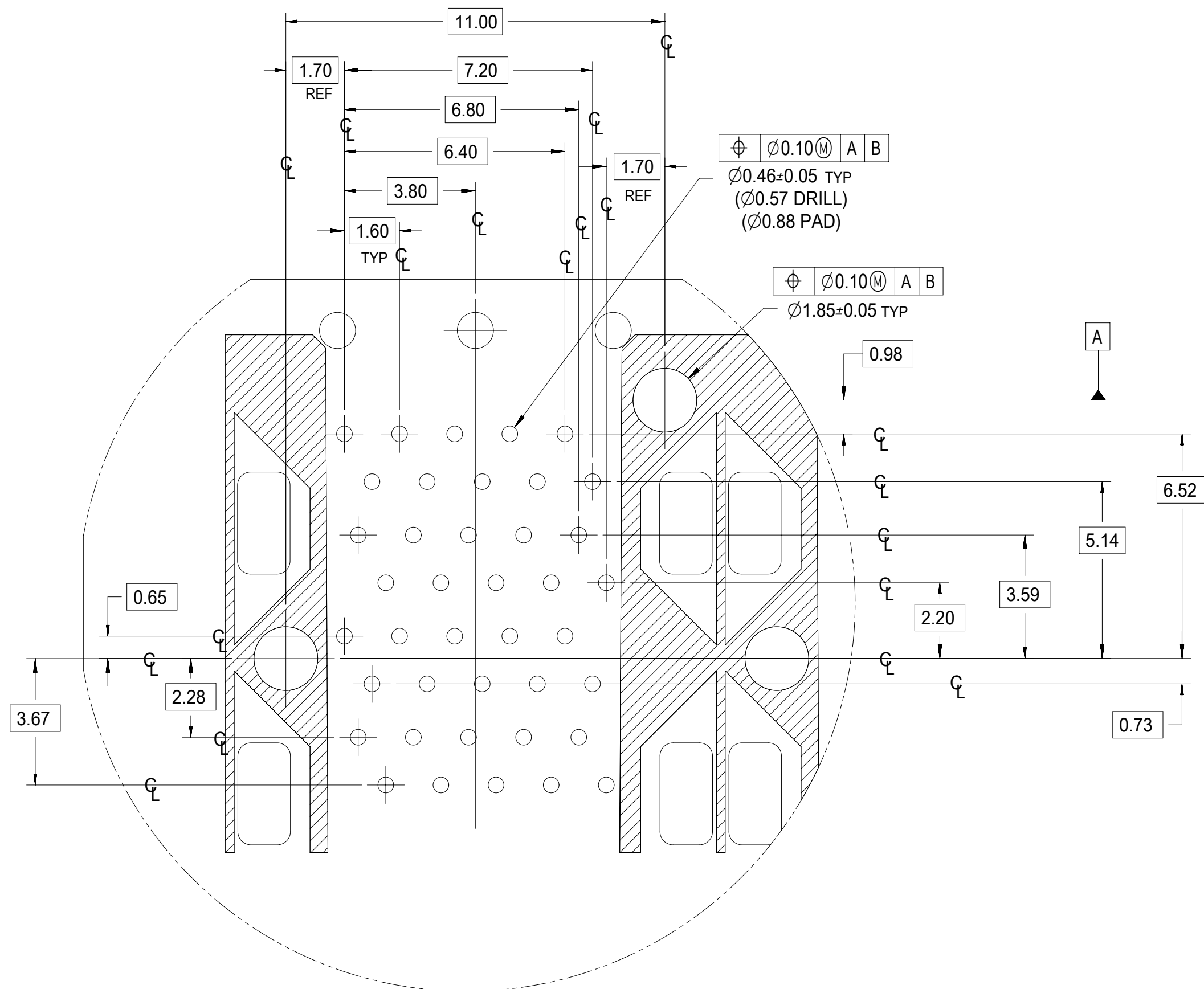


DETAIL B
SCALE 6:1
CIRCUIT NUMBERING AND
LIGHTPIPE IDENTIFICATION

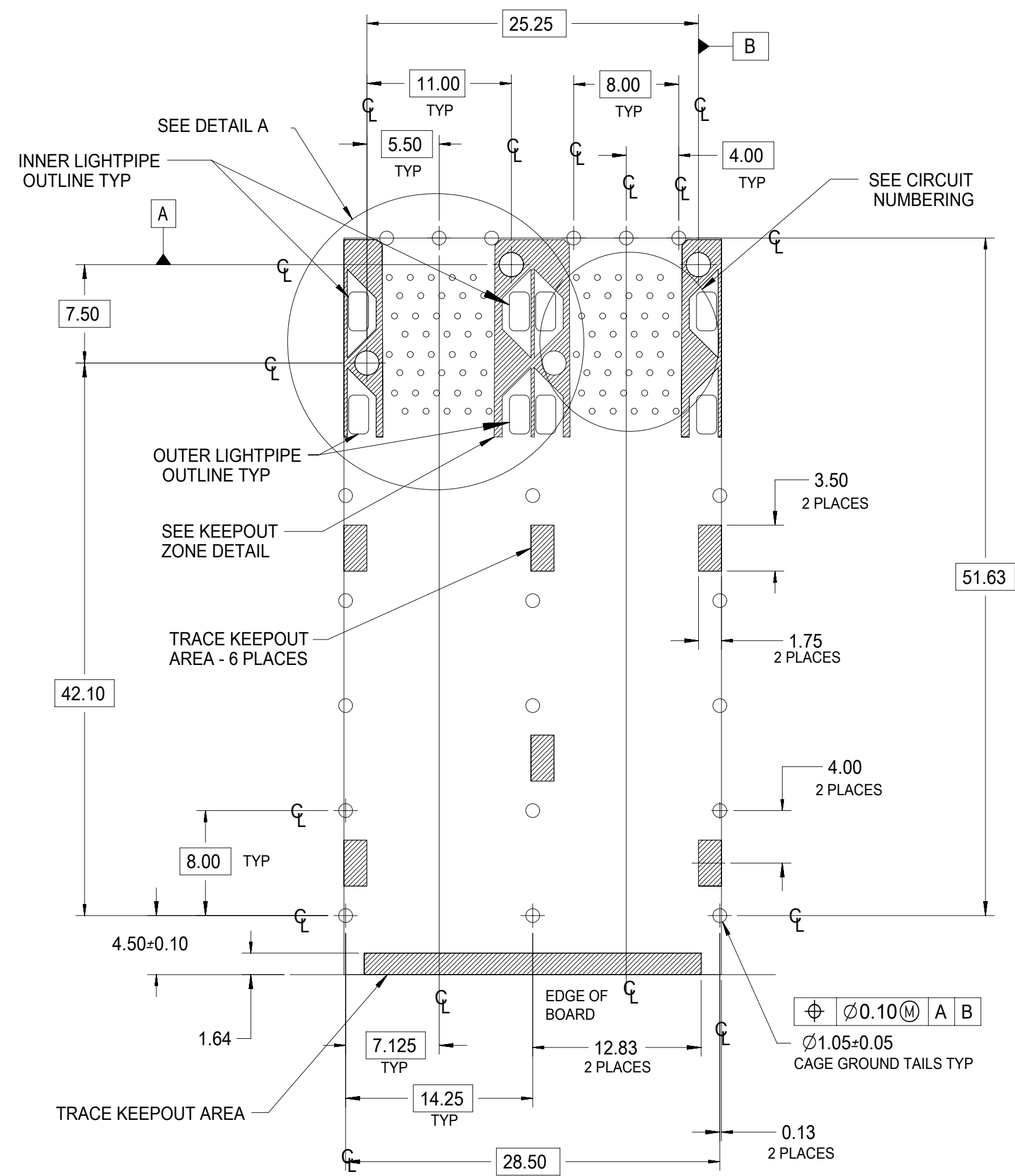
SYMBOLS DIMENSION UNITS: mm SCALE: 3:1 GENERAL TOLERANCES (UNLESS SPECIFIED): ANGULAR TOL ± 5.0° 4 PLACES ± 3 PLACES ± 2 PLACES ± 0.13 1 PLACE ± 0.25 0 PLACES ± DRAFT WHERE APPLICABLE MUST REMAIN WITHIN DIMENSIONS THIRD ANGLE PROJECTION DRAWING: C-SIZE SERIES: 76091	THIS DRAWING CONTAINS INFORMATION THAT IS PROPRIETARY TO MOLEX ELECTRONIC TECHNOLOGIES, LLC AND SHOULD NOT BE USED WITHOUT WRITTEN PERMISSION CURRENT REV DESC: UPDATE FLANGE			molex STACKED SFP+ 2X2 ASSY WITH ELASTOMERIC GASKET AND LIGHTPIPES			
	EC NO: 174126 DRWN: SVANG01 2018/01/22 CHK'D: MWOLFE 2018/03/23 APPR: SMILLER 2018/03/23						PRODUCT CUSTOMER DRAWING
	INITIAL REVISION: DRWN: JLONG 2007/02/05 APPR: RNELSON 2007/02/06			DOCUMENT NUMBER	DOC TYPE	DOC PART	REVISION
	MATERIAL NUMBER: SEE TABLE CUSTOMER: GENERAL MARKET SHEET NUMBER: 2 OF 4			SD-76091-001	PSD	001	G



CIRCUIT NUMBERING
COMPONENT SIDE OF BOARD

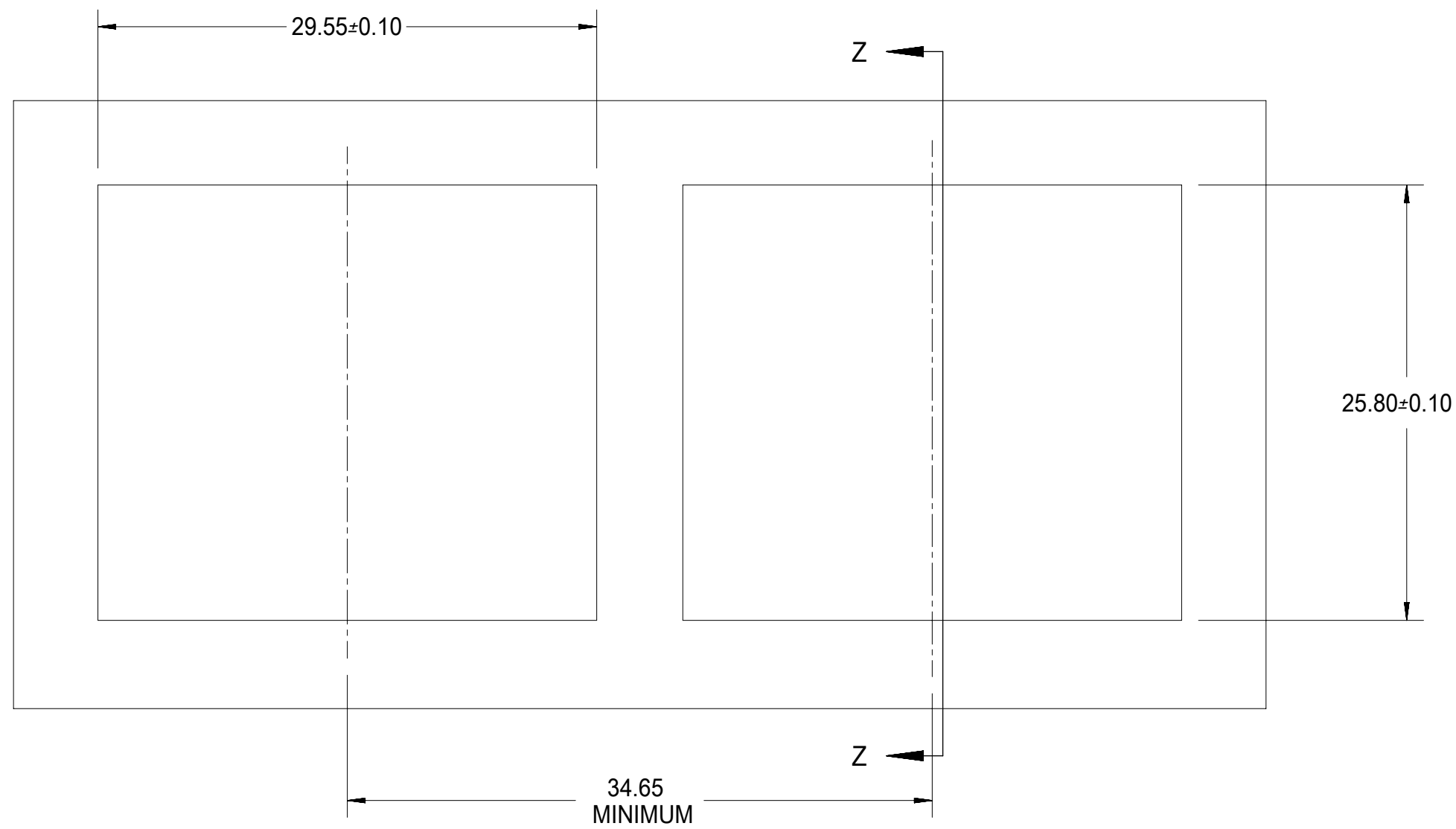


DETAIL A
SCALE 8:1

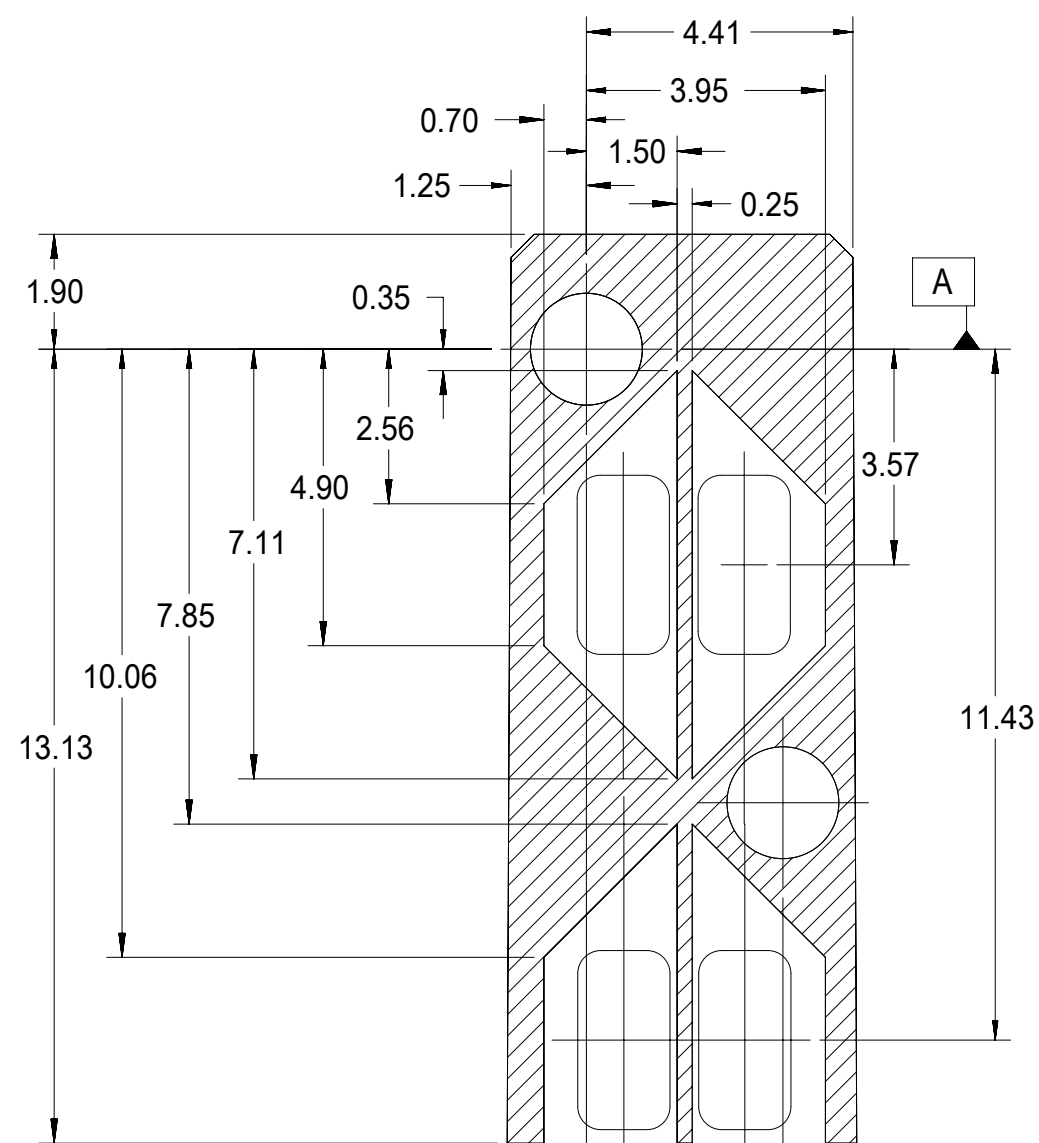
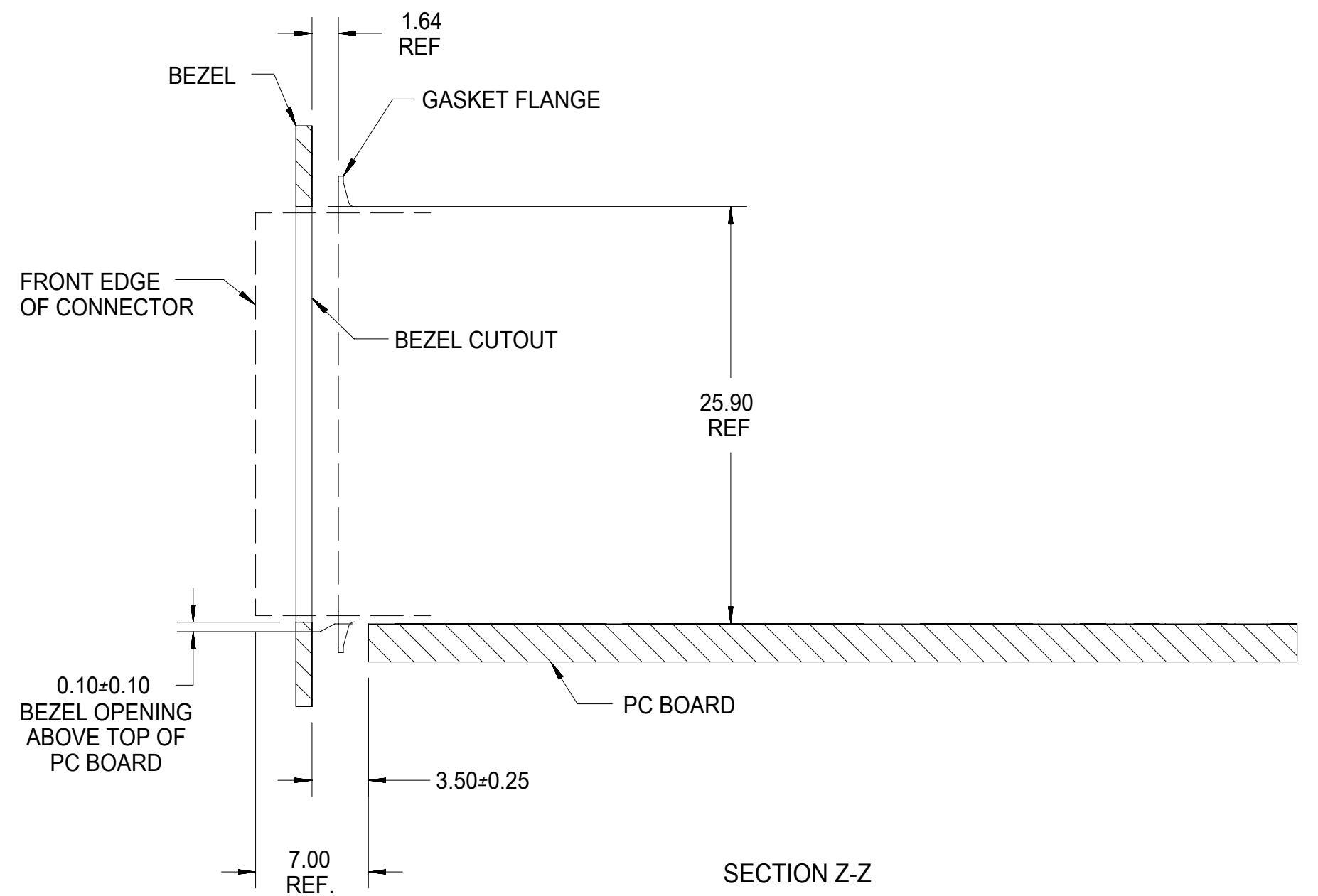


RECOMMENDED PCB LAYOUT - COMPONENT SIDE
RECOMMENDED PCB THICKNESS - 2.36 MM (.093 INCH)
THE ENTIRE AREA OF THE CONNECTOR FOOTPRINT
TO BE CONSIDERED THE KEEP OUT AREA FOR COMPONENTS
(OTHER THAN THE LIGHTPIPE LED'S)
THIS AREA IS INDICATED BY THE DASHED LINE

SYMBOLS		THIS DRAWING CONTAINS INFORMATION THAT IS PROPRIETARY TO MOLEX ELECTRONIC TECHNOLOGIES, LLC AND SHOULD NOT BE USED WITHOUT WRITTEN PERMISSION	
DIMENSION UNITS	SCALE	CURRENT REV DESC: UPDATE FLANGE	
	mm	3:1	molex STACKED SFP+ 2X2 ASSY WITH ELASTOMERIC GASKET AND LIGHTPIPES PRODUCT CUSTOMER DRAWING
	GENERAL TOLERANCES (UNLESS SPECIFIED)		
	ANGULAR TOL ± 5.0°		EC NO: 174126 DRWN: SVANG01 2018/01/22 CHK'D: MWOLFE 2018/03/23 APPR: SMILLER 2018/03/23
	4 PLACES ±		INITIAL REVISION:
	3 PLACES ±		DRWN: JLONG 2007/02/05
	2 PLACES ± 0.13		APPR: RNELSON 2007/02/06
	1 PLACE ± 0.25		DOCUMENT NUMBER
	0 PLACES ±		SD-76091-001
	DRAFT WHERE APPLICABLE MUST REMAIN WITHIN DIMENSIONS		DOC TYPE
	THIRD ANGLE PROJECTION	DRAWING	PSD
		SERIES	001
	C-SIZE	MATERIAL NUMBER	DOC PART
	76091	CUSTOMER	001
		SHEET NUMBER	G
		SEE TABLE	
		GENERAL MARKET	
		3 OF 4	



BEZEL CUT-OUT CENTER SPACING DETAIL
BEZEL THICKNESS: 0.8 - 2.6



CONNECTOR HOUSING
SCALE 8:1

KEEPOUT ZONE DETAIL - LIGHTPIPE LOCATION AND OTHER ZONES
SCALE 8:1

THE HATCHED AREA IN THIS VIEW INDICATES ZONES THAT ARE OCCUPIED BY THE PLASTIC HOUSING THAT SEATS AGAINST THE PCB AND BY THE VERTICAL METAL CAGE WALL THAT STOPS JUST SHORT OF THE PCB

THIS DRAWING CONTAINS INFORMATION THAT IS PROPRIETARY TO MOLEX ELECTRONIC TECHNOLOGIES, LLC AND SHOULD NOT BE USED WITHOUT WRITTEN PERMISSION											
SYMBOLS		DIMENSION UNITS		SCALE		CURRENT REV DESC: UPDATE FLANGE					
▽ = 0	mm	3:1									
▽ = 0	GENERAL TOLERANCES (UNLESS SPECIFIED)										
▽ = 0	ANGULAR TOL ± 5.0°										
▽ = 0	4 PLACES	±									
▽ = 0	3 PLACES	±									
▽ = 0	2 PLACES	± 0.13									
▽ = 0	1 PLACE	± 0.25									
▽ = 0	0 PLACES	±									
▽ = 0	DRAFT WHERE APPLICABLE MUST REMAIN WITHIN DIMENSIONS		THIRD ANGLE PROJECTION		DRAWING		SERIES				
			C-SIZE		76091						
DOCUMENT NUMBER						DOC TYPE		DOC PART		REVISION	
SD-76091-001						PSD		001		G	
MATERIAL NUMBER				CUSTOMER				SHEET NUMBER			
SEE TABLE				GENERAL MARKET				4 OF 4			

molex

STACKED SFP+ 2X2 ASSY
WITH ELASTOMERIC GASKET AND LIGHTPIPES

PRODUCT CUSTOMER DRAWING

EC NO: 174126
DRWN: SVANG01 2018/01/22
CHK'D: MWOLFE 2018/03/23
APPR: SMILLER 2018/03/23

INITIAL REVISION:
DRWN: JLONG 2007/02/05
APPR: RNELSON 2007/02/06