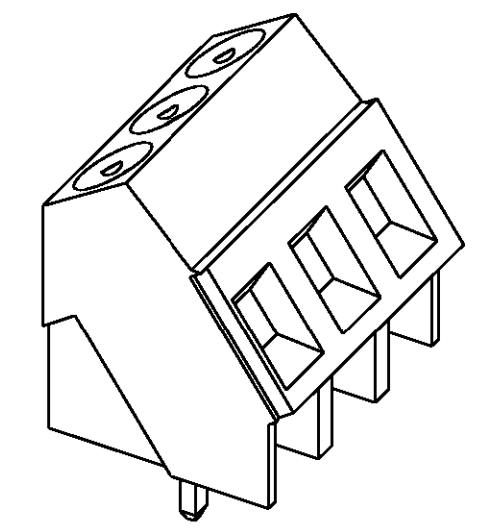
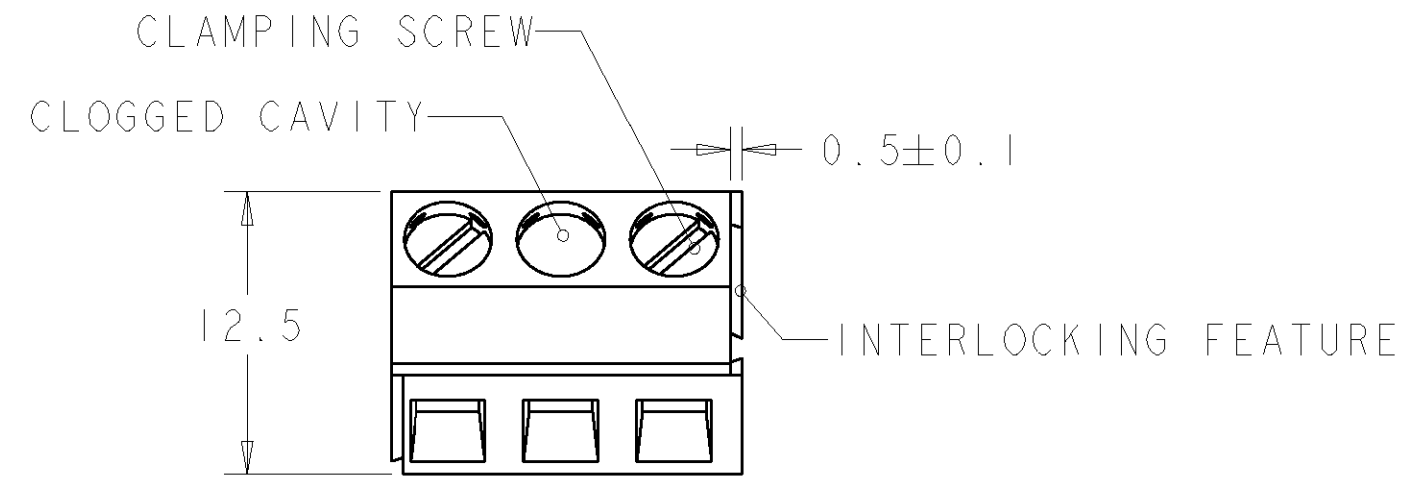
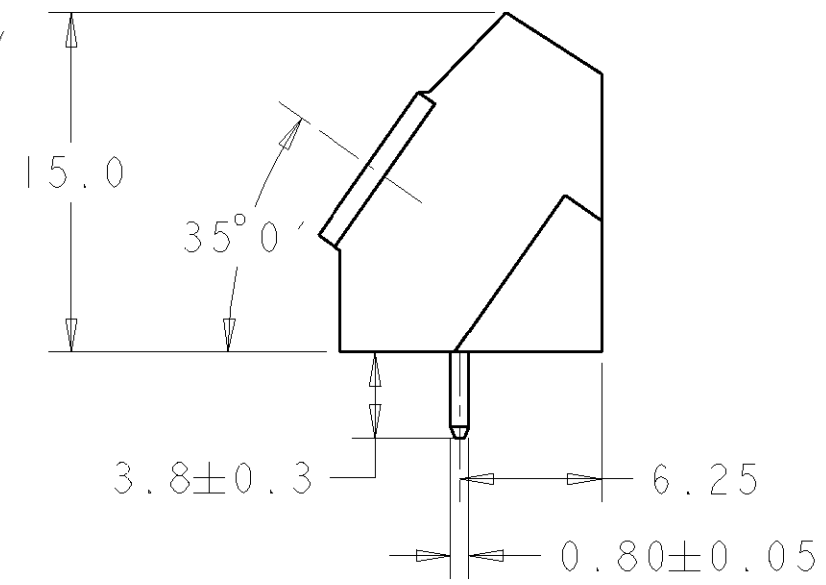
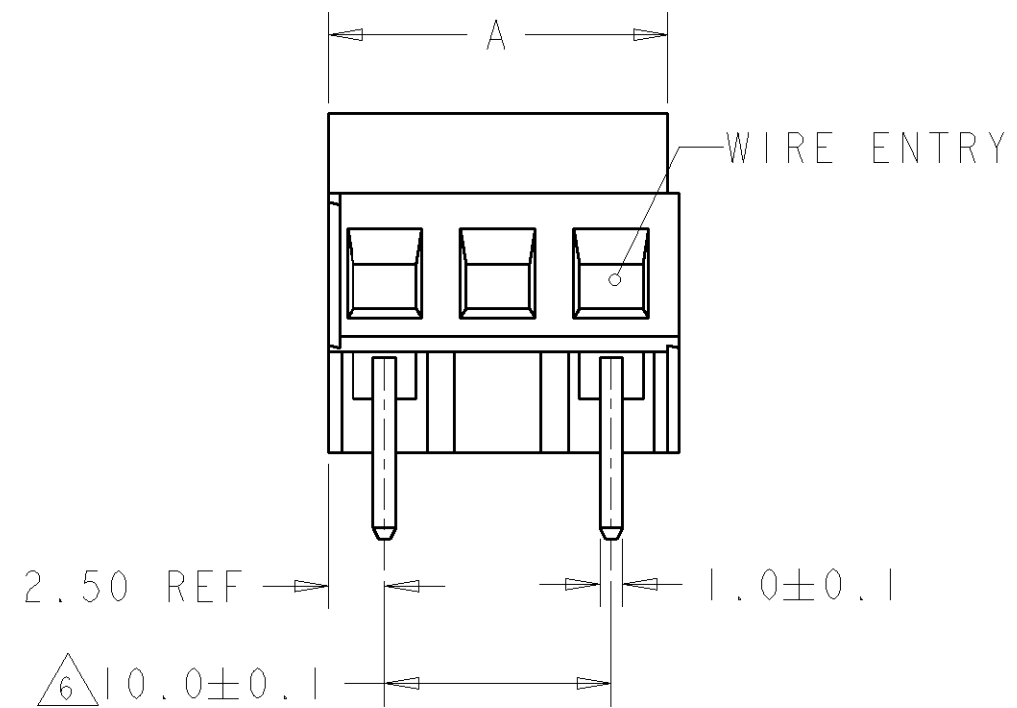


THIS DRAWING IS UNPUBLISHED. RELEASED FOR PUBLICATION 20
 © COPYRIGHT 20 BY TYCO ELECTRONICS CORPORATION. ALL RIGHTS RESERVED.

LOC	DIST	REVISIONS			
P	LTR	DESCRIPTION	DATE	DWN	APVD
FT	0	C	REVISED PER 0G3B-0119-01	17AUG2001	EZ DB

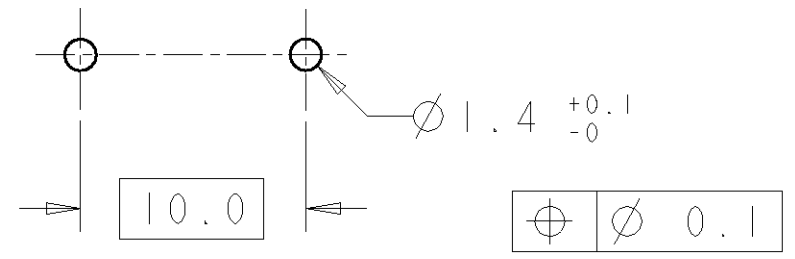


282848-2 AS SHOWN



AS SHOWN	DIM. A	N° OF POS.	PART NUMBER
25	3		282848-7
55	6		282848-6
45	5		282848-5
35	4		282848-4
25	3		282848-3
15	2		282848-2

RECOMMENDED PC BOARD LAYOUT



THIS DRAWING IS A CONTROLLED DOCUMENT FOR TYCO ELECTRONICS CORPORATION. IT IS SUBJECT TO CHANGE AND THE CONTROLLING ENGINEERING ORGANIZATION SHOULD BE CONTACTED FOR THE LATEST REVISION.

DIMENSIONS: mm	TOLERANCES UNLESS OTHERWISE SPECIFIED: 0 PLC ±- 1 PLC ±.3 2 PLC ±.25 3 PLC ±- 4 PLC ±- ANGLES ±2	DWN 17AUG2001 E. ZANOLINI CHK 17AUG2001 D. BIEVENOUR APVD 17AUG2001 D. BIEVENOUR	BUCHANAN Tyco Electronics Harrisburg, PA 17105-3608
MATERIAL	FINISH	PRODUCT SPEC 108-20166 APPLICATION SPEC 114-20079 WEIGHT -	NAME TERMINAL BLOCK PCB MOUNT ANGLED ENTRY WIRE 10mm PITCH
		CUSTOMER DRAWING	SIZE A3 CAGE CODE 00779 DRAWING NO C=282848 RESTRICTED TO -
		SCALE 3:1	SHEET 1 OF 2 REV C

THIS DRAWING IS UNPUBLISHED.

RELEASED FOR PUBLICATION

20

© COPYRIGHT 20

BY TYCO ELECTRONICS CORPORATION. ALL RIGHTS RESERVED.

LOC	DIST	REVISIONS					
		P	LTR	DESCRIPTION	DATE	DWN	APVD
FT	0		-	SEE SHEET 1	-	-	-



MATERIALS AND FINISH
 HOUSING: PA 6-6, UL 94-V0, COLOR GREEN.
 CLAMP: BRASS, NICKEL PLATED.
 TERMINAL: BRASS, TIN PLATED.
 CLAMPING SCREW: M3, BRASS, NICKEL PLATED.
 SUITABLE FOR 1,6-2,4mm PCB THICKNESS.

2

3

WIRE SIZE RANGE
 SOLID WIRE: 0,03-2,5mm (13AWG)
 STRANDED WIRE: 0,03-1,5mm (15AWG)

4

RECOGNIZED UNDER THE COMPONENT PROGRAM OF
 UNDERWRITERS LABORATORIES INC. FILE N° E60677.

5

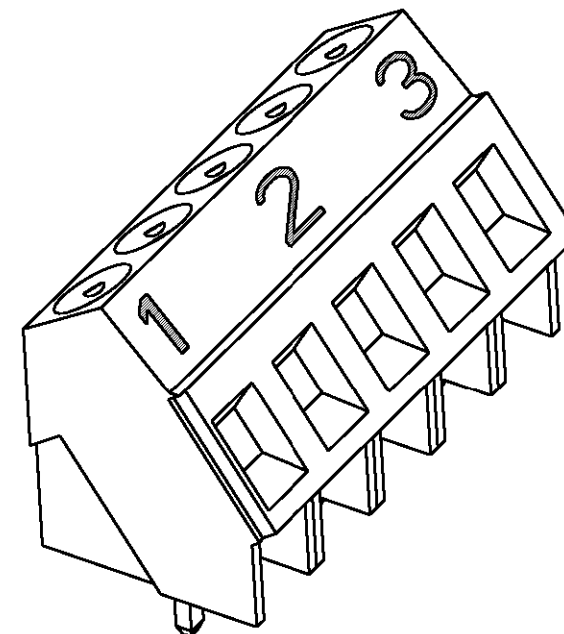
IMQ CERTIFICATE WITH SURVEILLANCE IN CONFORMITY
 WITH IEC 998-1/998-2-1.



NOT CUMULATIVE TOLERANCE.



INK MARKING, WHITE COLOR,
 UNLESS OTHERWISE SPECIFIED.
 NUMERICAL SEQUENCE: FROM LEFT TO RIGHT,
 UNLESS OTHERWISE SPECIFIED.



282848-7 AS SHOWN

<small>THIS DRAWING IS A CONTROLLED DOCUMENT FOR TYCO ELECTRONICS CORPORATION IT IS SUBJECT TO CHANGE AND THE CONTROLLING ENGINEERING ORGANIZATION SHOULD BE CONTACTED FOR THE LATEST REVISION.</small>		DWN E. ZANOLINI 17AUG2001	BUCHANAN Tyco Electronics Harrisburg, PA 17105-3608			
DIMENSIONS: mm 	TOLERANCES UNLESS OTHERWISE SPECIFIED: 0 PLC ±- 1 PLC ±- 2 PLC ±- 3 PLC ±- 4 PLC ±- ANGLES ±-	CHK D. BIEVENOUR 17AUG2001	NAME TERMINAL BLOCK PCB MOUNT ANGLED ENTRY WIRE 10mm PITCH			
		APVD D. BIEVENOUR 17AUG2001				
MATERIAL -	FINISH -	PRODUCT SPEC -	SIZE A3	CAGE CODE 00779	DRAWING NO C-282848	RESTRICTED TO -
CUSTOMER DRAWING		WEIGHT -	SCALE 3:1	SHEET 2	OF 2	REV C