

# Heterojunction Bipolar Transistor Technology (InGaP HBT)

## High Efficiency/Linearity Amplifier

The MMA20312B is a 2-stage high efficiency, Class AB InGaP HBT amplifier designed for use as a linear driver amplifier in wireless base station applications as well as an output stage in femtocell or repeater applications. It is suitable for applications with frequencies from 1800 to 2200 MHz such as TD-SCDMA, PCS, UMTS and LTE. The amplifier is housed in a cost-effective, surface mount QFN plastic package.

- Typical Performance:  $V_{CC} = 5$  Vdc,  $I_{CQ} = 70$  mA,  $P_{out} = 17$  dBm

Frequency	$G_{ps}$ (dB)	ACPR (dBc)	PAE (%)	Test Signal
1880 MHz	29.0	-47.4	9.1	TD-SCDMA
1920 MHz	29.0	-46.7	9.0	TD-SCDMA
2010 MHz	27.4	-52.0	9.3	TD-SCDMA
2025 MHz	26.8	-50.0	9.5	TD-SCDMA
2140 MHz	27.0	-51.7	9.4	W-CDMA

### Features

- Frequency: 1800-2200 MHz
- P1dB: 30.5 dBm @ 2140 MHz (CW Application Circuit)
- Power Gain: 26.4 dB @ 2140 MHz (CW Application Circuit)
- OIP3: 44.5 dBm @ 2140 MHz (W-CDMA Application Circuit)
- Active Bias Control (adjustable externally)
- Single 5 V Supply
- Cost-effective 12-pin, 3 mm QFN Surface Mount Plastic Package
- In Tape and Reel. T1 Suffix = 1,000 Units, 12 mm Tape Width, 7-inch Reel.

**MMA20312BT1**

**1800-2200 MHz, 27.2 dB  
30.5 dBm  
InGaP HBT LINEAR AMPLIFIER**



**QFN 3 x 3**

**Table 1. Typical CW Performance (1)**

Characteristic	Symbol	1800 MHz	2140 MHz	2200 MHz	Unit
Small-Signal Gain (S21)	$G_p$	28.8	26.4	25.5	dB
Input Return Loss (S11)	IRL	-17.6	-10.9	-9.7	dB
Output Return Loss (S22)	ORL	-20.3	-14.7	-13.7	dB
Power Output @ 1dB Compression	P1dB	30.5	30.5	30.5	dBm

1.  $V_{CC1} = V_{CC2} = V_{BIAS} = 5$  Vdc,  $T_A = 25^\circ\text{C}$ , 50 ohm system, CW Application Circuit

**Table 2. Maximum Ratings**

Rating	Symbol	Value	Unit
Supply Voltage	$V_{CC}$	6	V
Supply Current	$I_{CC}$	550	mA
RF Input Power	$P_{in}$	14	dBm
Storage Temperature Range	$T_{stg}$	-65 to +150	$^\circ\text{C}$
Junction Temperature	$T_J$	175	$^\circ\text{C}$

**Table 3. Thermal Characteristics**

Characteristic	Symbol	Value (2)	Unit
Thermal Resistance, Junction to Case Case Temperature $86^\circ\text{C}$ , $V_{CC1} = V_{CC2} = V_{BIAS} = 5$ Vdc	$R_{\theta JC}$	52	$^\circ\text{C/W}$

2. Refer to AN1955, *Thermal Measurement Methodology of RF Power Amplifiers*. Go to <http://www.freescale.com/rf>. Select Documentation/Application Notes - AN1955.

**Table 4. Electrical Characteristics** ( $V_{CC1} = V_{CC2} = V_{BIAS} = 5$  Vdc, 2140 MHz,  $T_A = 25^\circ\text{C}$ , 50 ohm system, in Freescale W-CDMA Application Circuit)

Characteristic	Symbol	Min	Typ	Max	Unit
Small-Signal Gain (S21) (1)	$G_p$	23.6	27.2	—	dB
Input Return Loss (S11)	IRL	—	-10.7	—	dB
Output Return Loss (S22)	ORL	—	-15.5	—	dB
Power Output @ 1dB Compression, CW	P1dB	—	28.2	—	dBm
Third Order Output Intercept Point, Two-Tone CW	OIP3	—	44.5	—	dBm
Noise Figure	NF	—	3.3	—	dB
Supply Current (1)	$I_{CQ}$	62.5	70	77	mA
Supply Voltage	$V_{CC}$	—	5	—	V

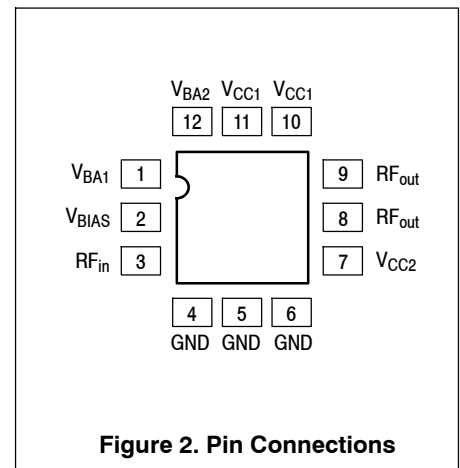
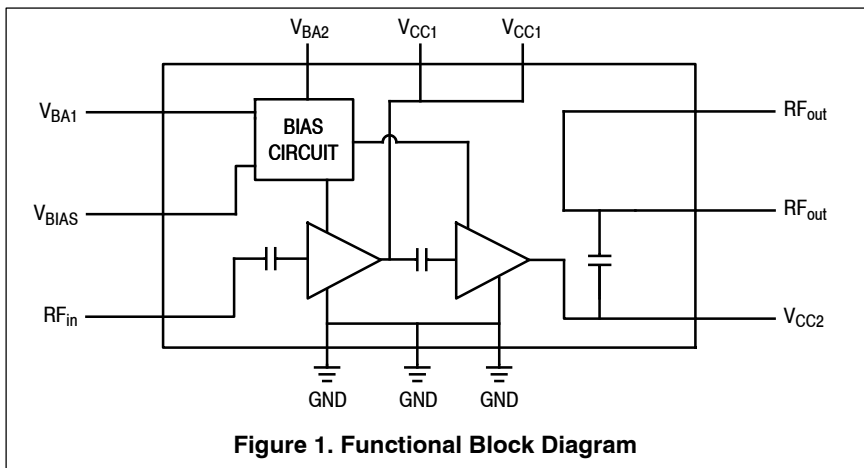
**Table 5. ESD Protection Characteristics**

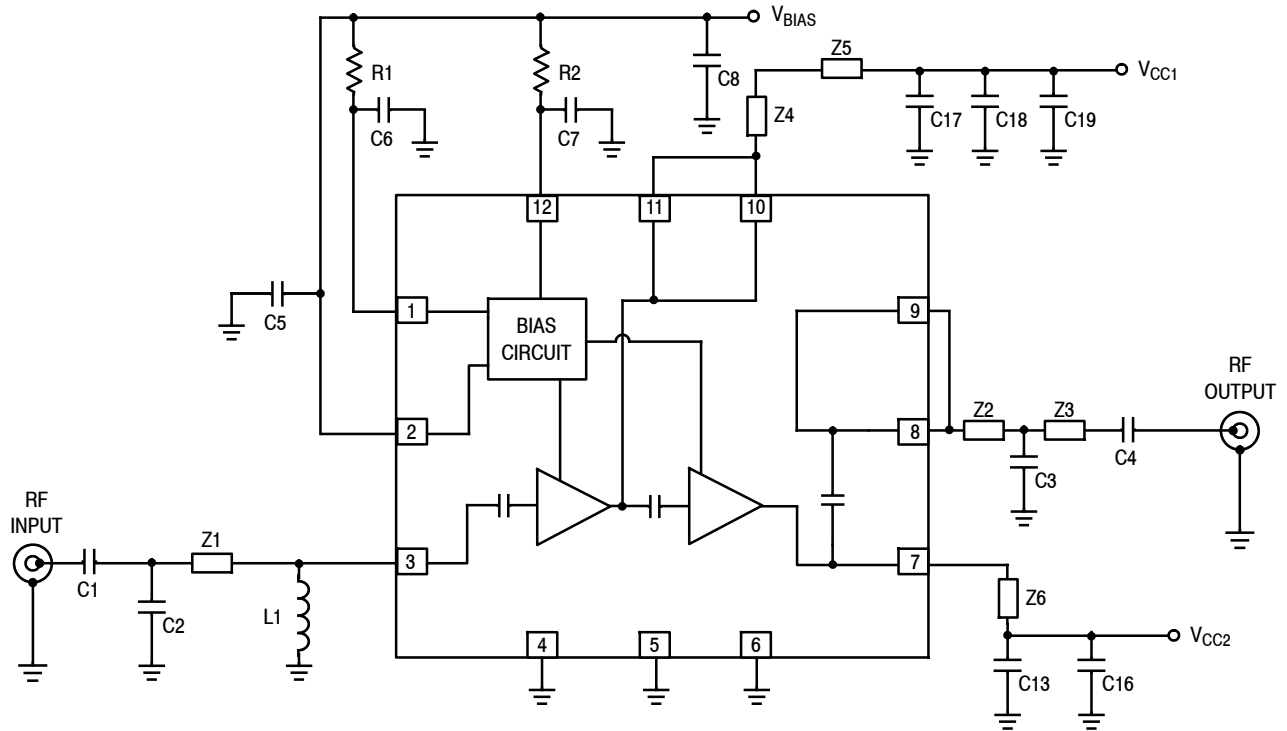
Test Methodology	Class
Human Body Model (per JESD22-A114)	0, rated to 150 V
Machine Model (per EIA/JESD22-A115)	A
Charge Device Model (per JESD22-C101)	III

**Table 6. Moisture Sensitivity Level**

Test Methodology	Rating	Package Peak Temperature	Unit
Per JESD22-A113, IPC/JEDEC J-STD-020	3	260	$^\circ\text{C}$

1. Specified data is based on performance of soldered down part in W-CDMA application circuit.





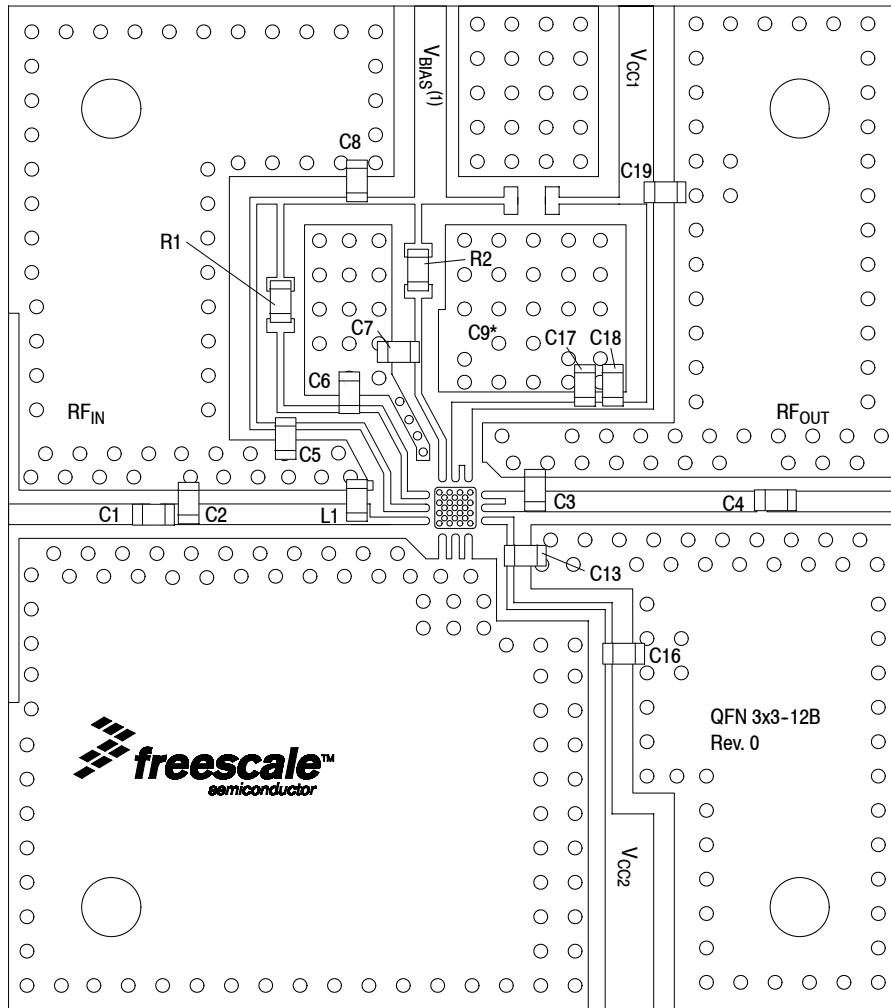
Z1	0.250" x 0.030" Microstrip	Z4	0.080" x 0.030" Microstrip
Z2	0.035" x 0.030" Microstrip	Z5	0.155" x 0.010" Microstrip
Z3	0.283" x 0.030" Microstrip	Z6	0.045" x 0.010" Microstrip

**Figure 3. MMA20312BT1 Test Circuit Schematic — TD-SCDMA**

**Table 7. MMA20312BT1 Test Circuit Component Designations and Values — TD-SCDMA**

Part	Description	Part Number	Manufacturer
C1, C5	22 pF Chip Capacitors	06033J220GBS	AVX
C2	1.8 pF Chip Capacitor	06035J1R8BBS	AVX
C3	2.2 pF Chip Capacitor	06035J2R2BBS	AVX
C4	5.6 pF Chip Capacitor	06035J5R6BBS	AVX
C6, C7, C13	10 pF Chip Capacitors	06035J100GBS	AVX
C8, C18	1 $\mu$ F Chip Capacitors	GRM188R61A105KA61	Murata
C9	Component Not Placed		
C16, C19	10 $\mu$ F Chip Capacitors	GRM188R60J106ME47	Murata
C17	0.1 $\mu$ F Chip Capacitor	GRM188R71H104KA93	Murata
L1	1.8 nH Chip Inductor	LL1608-FS1N8S	TOKO
R1	120 $\Omega$ Chip Resistor	RR0816Q-121-D	Susumu
R2	1300 $\Omega$ Chip Resistor	RR0816Q-132-D	Susumu
PCB	0.01", $\epsilon_r = 3.38$	680-338	Isola

Note: Component number C9 is labeled on board but not placed. C10, C11, C12, C14 and C15 are intentionally omitted.



(1)  $V_{BIAS}$  [Board] supplies  $V_{BA1}$ ,  $V_{BA2}$  and  $V_{BIAS}$  [Device].  
 Note: Component number C9\* is labeled on board but not placed.

**Figure 4. MMA20312BT1 Test Circuit Component Layout — TD-SCDMA**

**Table 7. MMA20312BT1 Test Circuit Component Designations and Values — TD-SCDMA**

Part	Description	Part Number	Manufacturer
C1, C5	22 pF Chip Capacitors	06033J220GBS	AVX
C2	1.8 pF Chip Capacitor	06035J1R8BBS	AVX
C3	2.2 pF Chip Capacitor	06035J2R2BBS	AVX
C4	5.6 pF Chip Capacitor	06035J5R6BBS	AVX
C6, C7, C13	10 pF Chip Capacitors	06035J100GBS	AVX
C8, C18	1 $\mu$ F Chip Capacitors	GRM188R61A105KA61	Murata
C9	Component Not Placed		
C16, C19	10 $\mu$ F Chip Capacitors	GRM188R60J106ME47	Murata
C17	0.1 $\mu$ F Chip Capacitor	GRM188R71H104KA93	Murata
L1	1.8 nH Chip Inductor	LL1608-FS1N8S	TOKO
R1	120 $\Omega$ Chip Resistor	RR0816Q-121-D	Susumu
R2	1300 $\Omega$ Chip Resistor	RR0816Q-132-D	Susumu
PCB	0.01", $\epsilon_r = 3.38$	680-338	Isola

Note: Component numbers C10, C11, C12, C14 and C15 are intentionally omitted.

(Test Circuit Component Designations and Values table repeated for reference.)

TYPICAL CHARACTERISTICS — TD-SCDMA

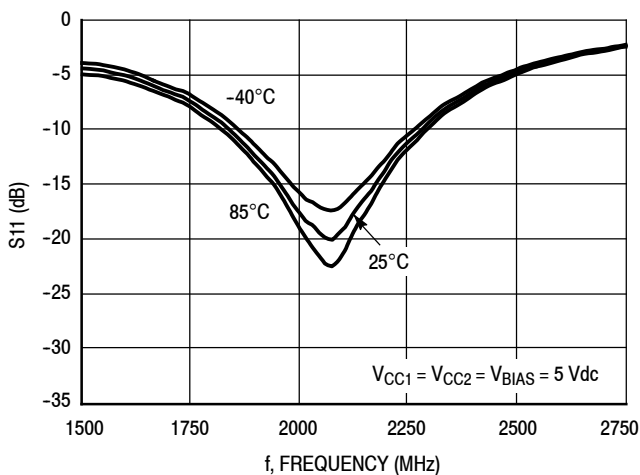


Figure 5. S11 versus Frequency versus Temperature

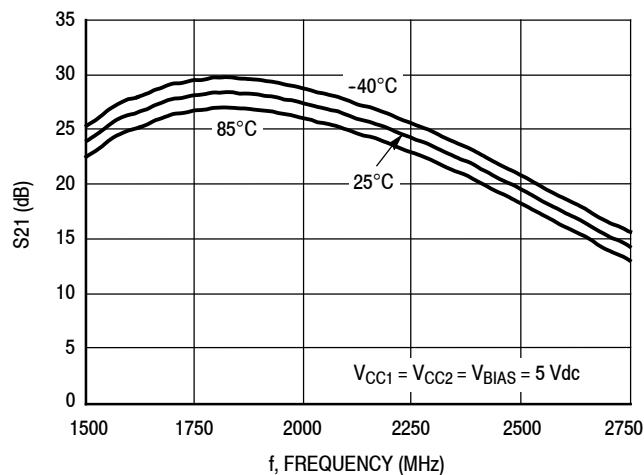


Figure 6. S21 versus Frequency versus Temperature

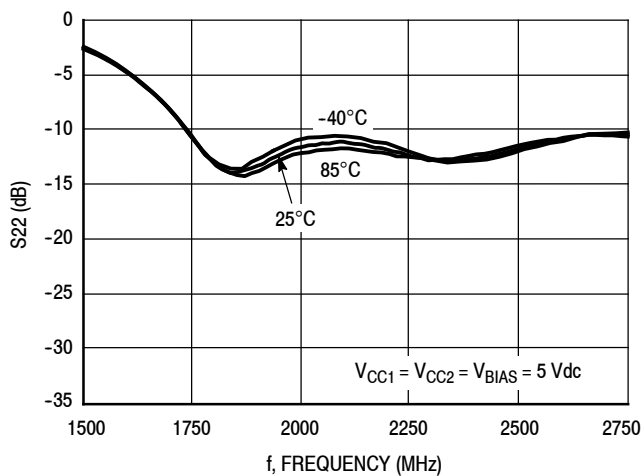
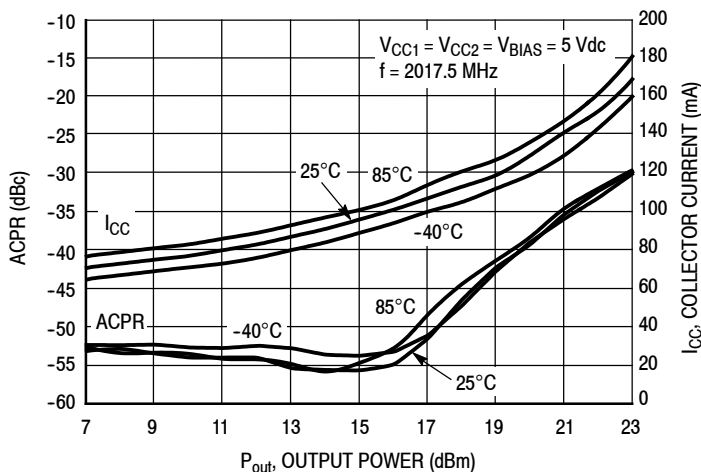
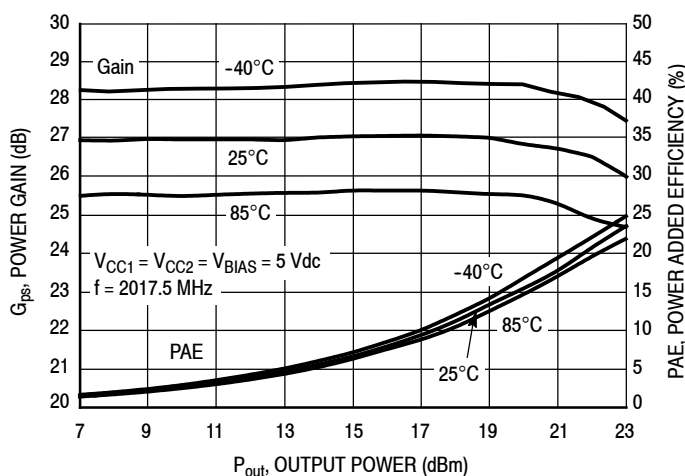


Figure 7. S22 versus Frequency versus Temperature

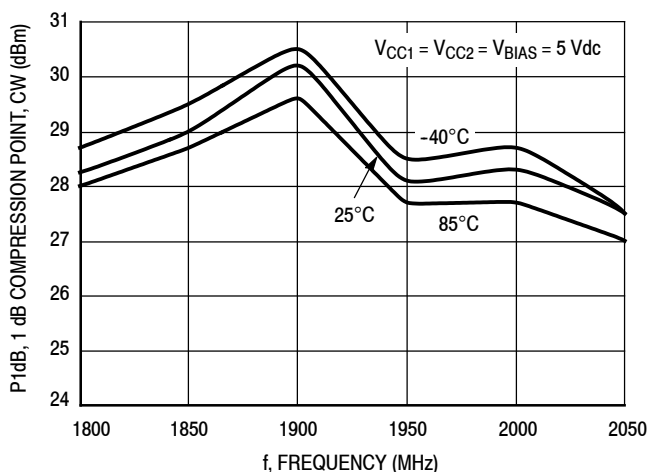
### TYPICAL CHARACTERISTICS — TD-SCDMA



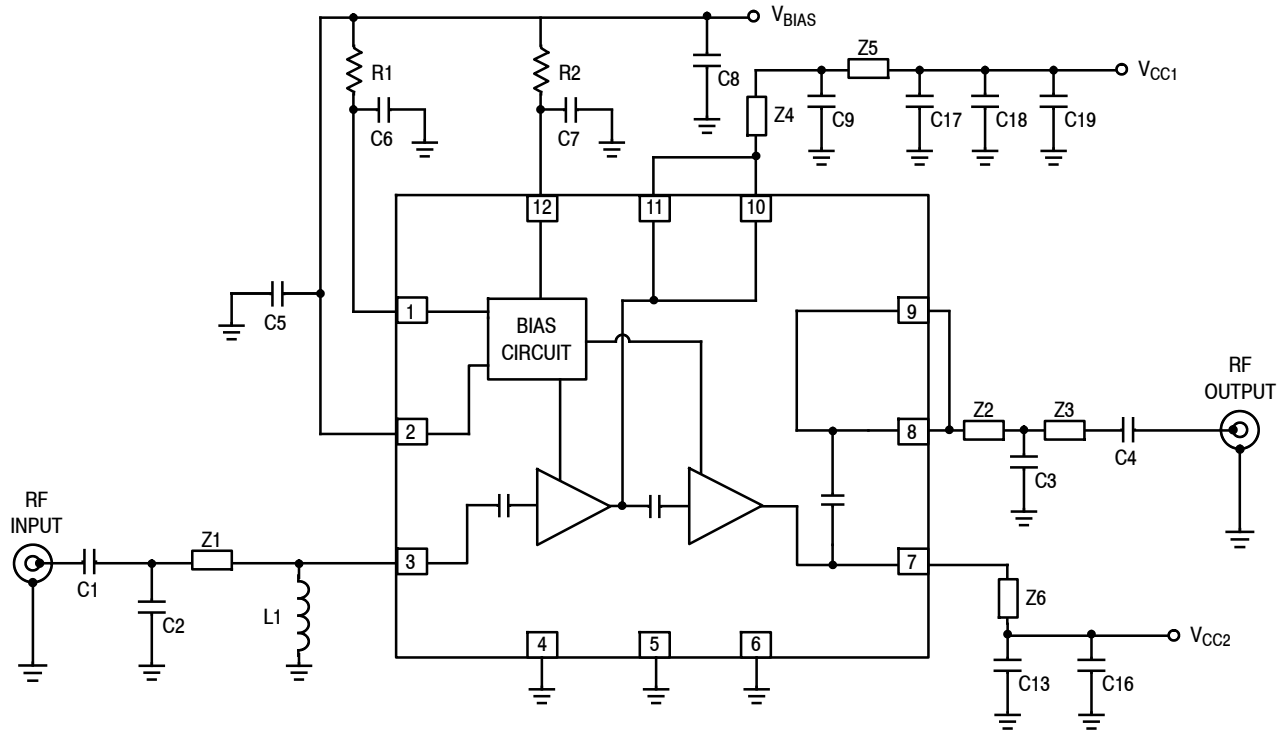
**Figure 8. ACPR versus Collector Current versus Output Power versus Temperature**



**Figure 9. Power Gain versus Power Added Efficiency versus Output Power versus Temperature**



**Figure 10. P1dB versus Frequency versus Temperature, CW**



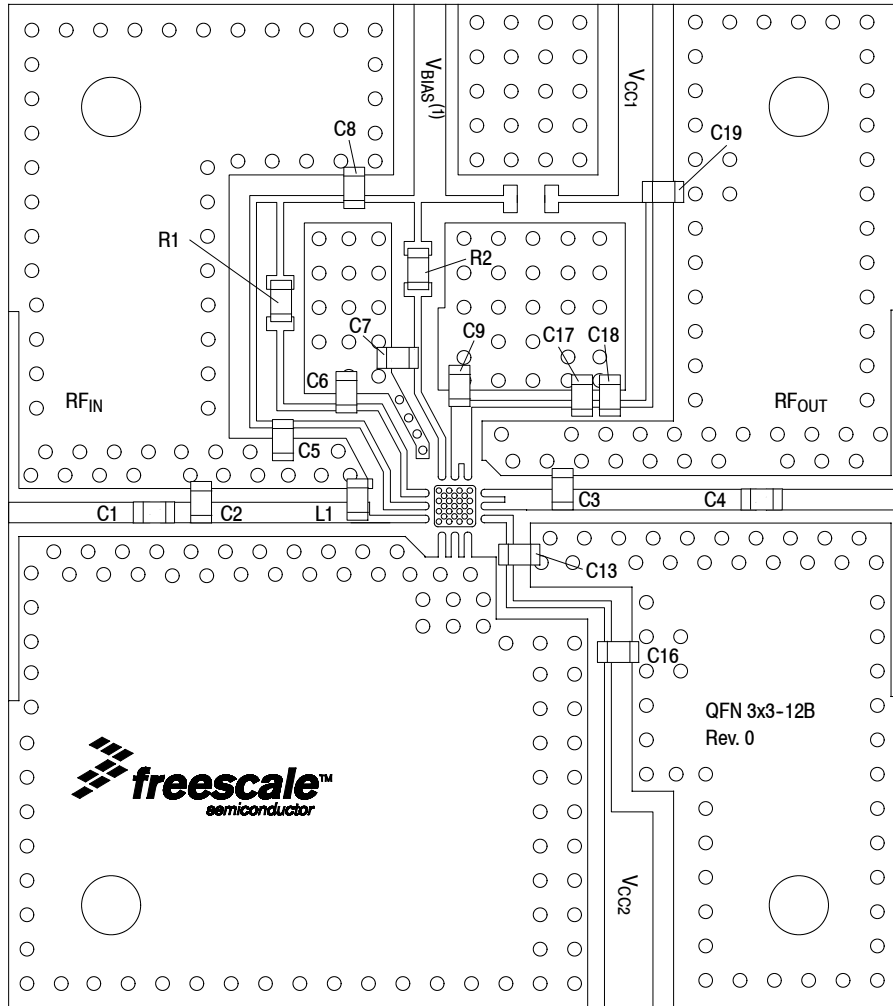
Z1	0.218" x 0.030" Microstrip	Z4	0.080" x 0.030" Microstrip
Z2	0.068" x 0.030" Microstrip	Z5	0.155" x 0.010" Microstrip
Z3	0.250" x 0.030" Microstrip	Z6	0.045" x 0.010" Microstrip

**Figure 11. MMA20312BT1 Test Circuit Schematic — W-CDMA**

**Table 8. MMA20312BT1 Test Circuit Component Designations and Values — W-CDMA**

Part	Description	Part Number	Manufacturer
C1, C5, C9	22 pF Chip Capacitors	06033J220GBS	AVX
C2, C3	1.8 pF Chip Capacitors	06035J1R8BBS	AVX
C4	5.6 pF Chip Capacitor	06035J5R6BBS	AVX
C6, C7, C13	10 pF Chip Capacitors	06035J100GBS	AVX
C8, C18	1 μF Chip Capacitors	GRM188R61A105KA61	Murata
C16, C19	10 μF Chip Capacitors	GRM188R60J106ME47	Murata
C17	0.1 μF Chip Capacitor	GRM188R71H104KA93	Murata
L1	1.8 nH Chip Inductor	LL1608-FS1N8S	TOKO
R1	120 Ω Chip Resistor	RR0816Q-121-D	Susumu
R2	1500 Ω Chip Resistor	RR0816Q-152-D	Susumu
PCB	0.01", ε <sub>r</sub> = 3.38	680-338	Isola

Note: Component numbers C10, C11, C12, C14 and C15 are intentionally omitted.



(1)  $V_{BIAS}$  [Board] supplies  $V_{BA1}$ ,  $V_{BA2}$  and  $V_{BIAS}$  [Device].

**Figure 12. MMA20312BT1 Test Circuit Component Layout — W-CDMA**

**Table 8. MMA20312BT1 Test Circuit Component Designations and Values — W-CDMA**

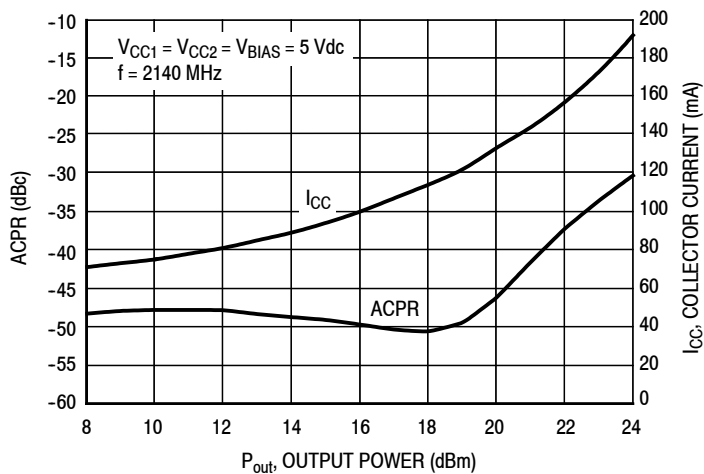
Part	Description	Part Number	Manufacturer
C1, C5, C9	22 pF Chip Capacitors	06033J220GBS	AVX
C2, C3	1.8 pF Chip Capacitors	06035J1R8BBS	AVX
C4	5.6 pF Chip Capacitor	06035J5R6BBS	AVX
C6, C7, C13	10 pF Chip Capacitors	06035J100GBS	AVX
C8, C18	1 $\mu$ F Chip Capacitors	GRM188R61A105KA61	Murata
C16, C19	10 $\mu$ F Chip Capacitors	GRM188R60J106ME47	Murata
C17	0.1 $\mu$ F Chip Capacitor	GRM188R71H104KA93	Murata
L1	1.8 nH Chip Inductor	LL1608-FS1N8S	TOKO
R1	120 $\Omega$ Chip Resistor	RR0816Q-121-D	Susumu
R2	1500 $\Omega$ Chip Resistor	RR0816Q-152-D	Susumu
PCB	0.01", $\epsilon_r = 3.38$	680-338	Isola

Note: Component numbers C10, C11, C12, C14 and C15 are intentionally omitted.

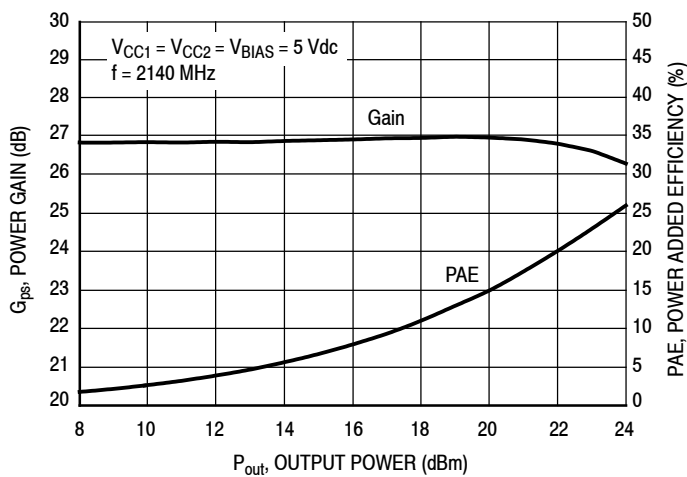
(Test Circuit Component Designations and Values table repeated for reference.)



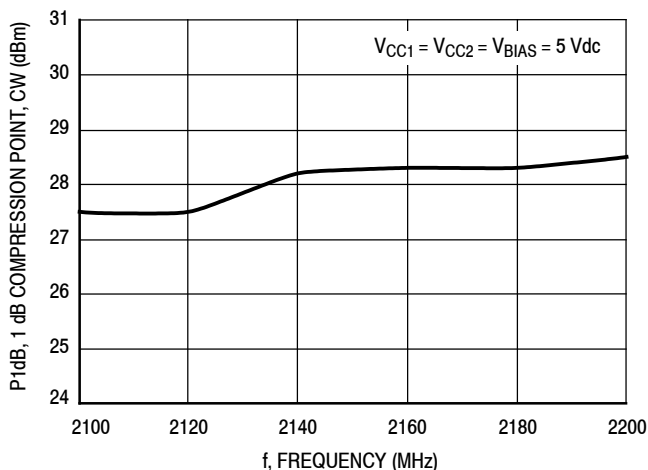
### TYPICAL CHARACTERISTICS — W-CDMA



**Figure 13. ACPR versus Collector Current versus Output Power**



**Figure 14. Power Gain versus Power Added Efficiency versus Output Power**



**Figure 15. P1dB versus Frequency, CW**

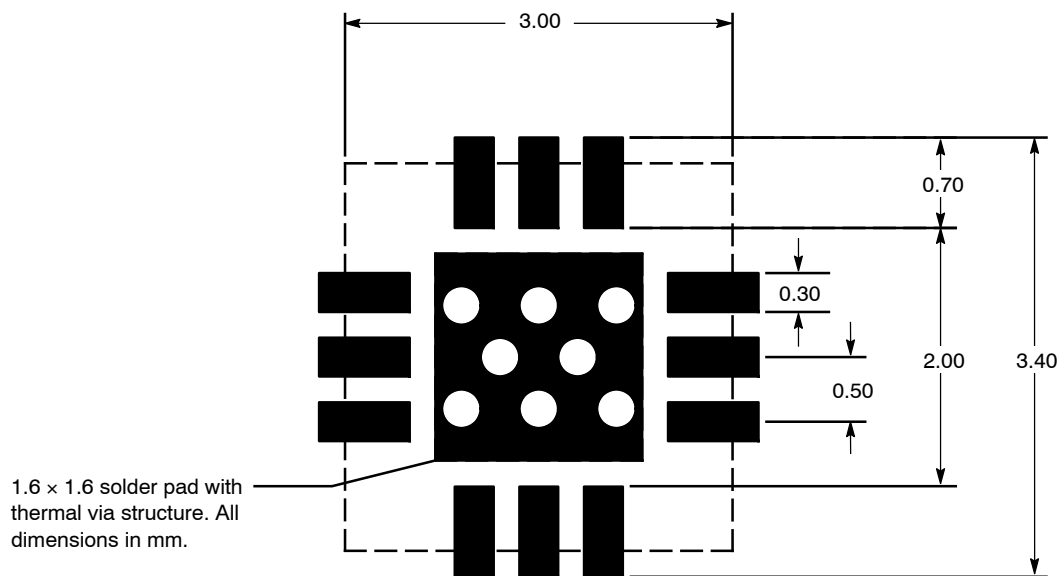
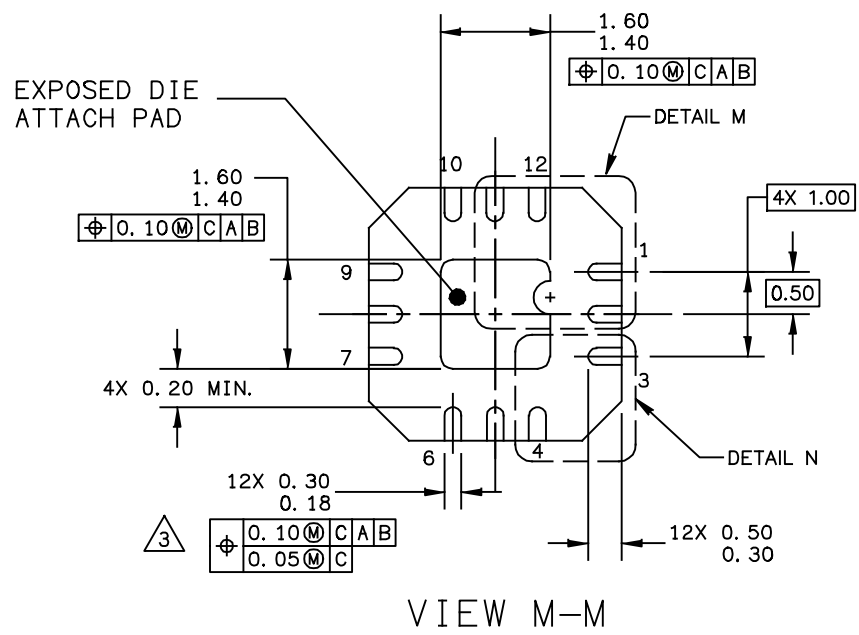
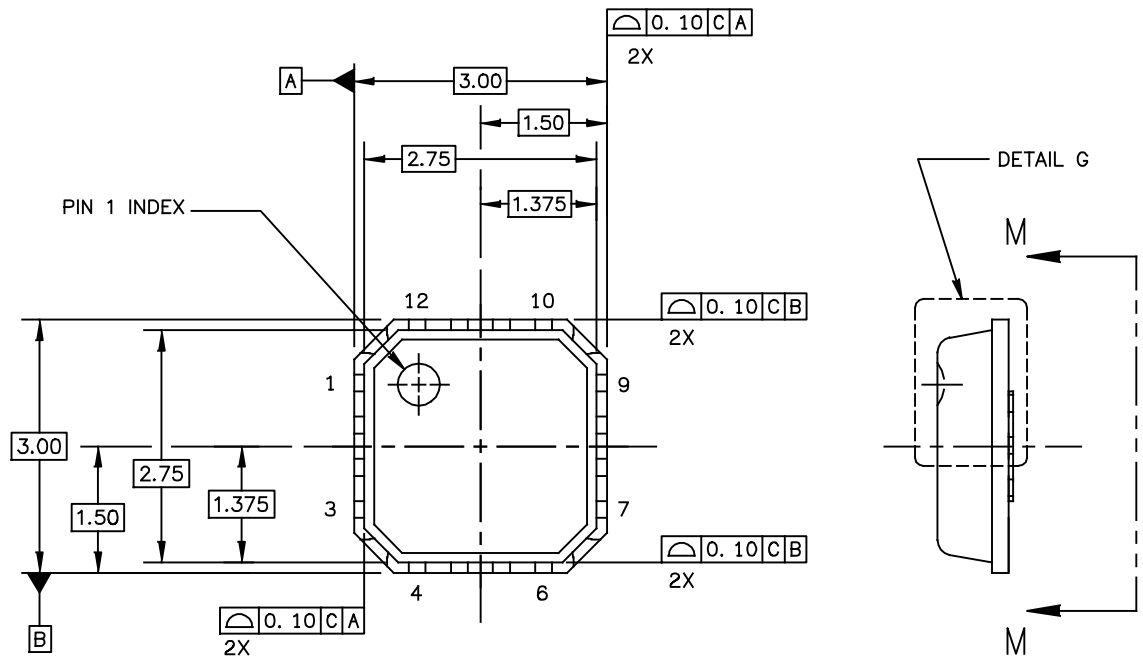


Figure 16. PCB Pad Layout for QFN 3 × 3

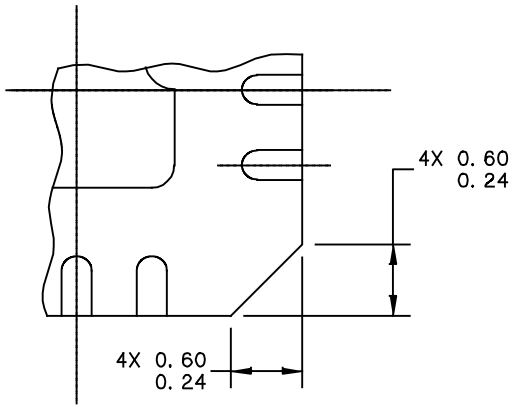


Figure 17. Product Marking

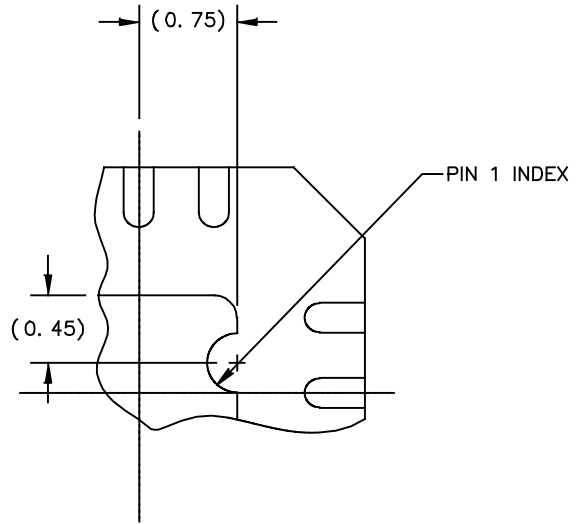
### PACKAGE DIMENSIONS



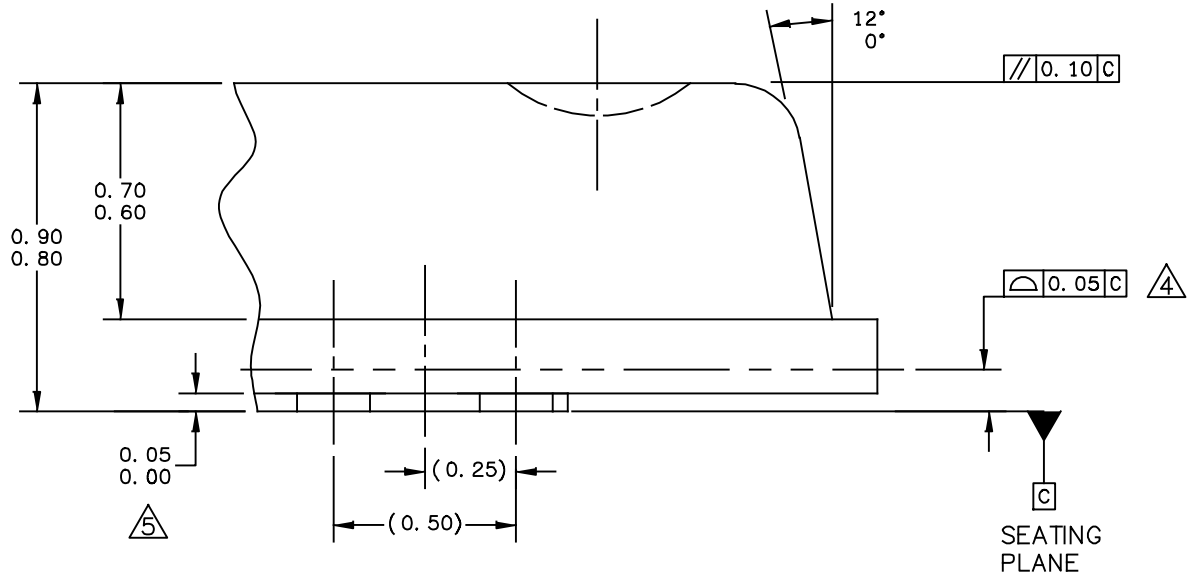
© FREESCALE SEMICONDUCTOR, INC. ALL RIGHTS RESERVED.	MECHANICAL OUTLINE	PRINT VERSION NOT TO SCALE	
TITLE: THERMALLY ENHANCED QUAD FLAT NON-LEADED PACKAGE (QFN) 12 TERMINAL, 0.5 PITCH (3X3X0.85)	DOCUMENT NO: 98ASA00227D	REV: 0	
	CASE NUMBER: 2131-01	14 MAY 2010	
	STANDARD: NON-JEDEC		



DETAIL N  
CORNER CONFIGURATION



DETAIL M  
PIN 1 BACKSIDE INDEX



DETAIL G  
VIEW ROTATED 90° CW

© FREESCALE SEMICONDUCTOR, INC. ALL RIGHTS RESERVED.	MECHANICAL OUTLINE	PRINT VERSION NOT TO SCALE	
TITLE: THERMALLY ENHANCED QUAD FLAT NON-LEADED PACKAGE (QFN) 12 TERMINAL, 0.5 PITCH (3X3X0.85)	DOCUMENT NO: 98ASA00227D	REV: 0	
	CASE NUMBER: 2131-01	14 MAY 2010	
	STANDARD: NON-JEDEC		

NOTE:

1. ALL DIMENSIONS ARE IN MILLIMETERS.
2. DIMENSIONING & TOLERANCING PER ASME Y14.5 – 2009.
3. THIS DIMENSION APPLIES TO PLATED TERMINAL AND IS MEASURED BETWEEN 0.15 AND 0.30 MM FROM TERMINAL TIP.
4. BILATERAL COPLANARITY ZONE APPLIES TO THE EXPOSED PAD AS WELL AS THE TERMINALS.
5. THIS DIMENSION APPLIED ONLY FOR TERMINALS.

© FREESCALE SEMICONDUCTOR, INC. ALL RIGHTS RESERVED.	MECHANICAL OUTLINE	PRINT VERSION NOT TO SCALE	
TITLE: THERMALLY ENHANCED QUAD FLAT NON-LEADED PACKAGE (QFN) 12 TERMINAL, 0.5 PITCH (3X3X0.85)		DOCUMENT NO: 98ASA00227D	REV: 0
		CASE NUMBER: 2131-01	14 MAY 2010
		STANDARD: NON-JEDEC	

Refer to the following resources to aid your design process.

**Application Notes**

- AN1955: Thermal Measurement Methodology of RF Power Amplifiers

**Software**

- .s2p File

**Development Tools**

- Printed Circuit Boards

For Software and Tools, do a Part Number search at <http://www.freescale.com>, and select the “Part Number” link. Go to Software & Tools on the part’s Product Summary page to download the respective tool.

**FAILURE ANALYSIS**

At this time, because of the physical characteristics of the part, failure analysis is limited to electrical signature analysis. In cases where Freescale is contractually obligated to perform failure analysis (FA) services, full FA may be performed by third party vendors with moderate success. For updates contact your local Freescale Sales Office.

**REVISION HISTORY**

The following table summarizes revisions to this document.

Revision	Date	Description
0	Oct. 2010	<ul style="list-style-type: none"> <li>• Initial Release of Data Sheet</li> </ul>
1	Mar. 2011	<ul style="list-style-type: none"> <li>• Added “OIP3: 44.5 dBm @ 2140 MHz (W-CDMA Application Circuit)” to Features list, p. 1</li> <li>• Typical CW Performance table: removed OIP3, p. 1</li> <li>• Figs. 4 and 12, Test Circuit Component Layout, updated component part layout identifier to reflect package type. Changed from MMA20312B to QFN 3x3-12B, pp. 4, 8</li> </ul>
1.1	Mar. 2011	<ul style="list-style-type: none"> <li>• Updated device descriptor box to reflect W-CDMA application circuit small-signal gain value, p. 1</li> </ul>
1.2	Feb. 2012	<ul style="list-style-type: none"> <li>• All references to “V<sub>CTRL</sub>” in the data sheet tables, test circuit schematics and component layouts are replaced with “V<sub>BIAS</sub>”. V<sub>BIAS</sub> is the supply voltage which sets the internal bias conditions via pins 1, 2, and 12, p. 1-3, 5-7, 9. Footnote “(1) V<sub>BIAS</sub> [Board] supplies V<sub>BA1</sub>, V<sub>BA2</sub> and V<sub>BIAS</sub> [Device]” added to test circuit component layouts, pp. 4, 8.</li> <li>• Fig. 3, Test Circuit Schematic - TD-SCDMA, Table 7, Test Circuit Component Designations and Values - TD-SCDMA, Fig. 4, Test Circuit Component Layout - TD-SCDMA, Fig. 11, Test Circuit Schematic - W-CDMA, Table 8, Test Circuit Component Designations and Values - W-CDMA and Fig. 12, Test Circuit Component Layout - W-CDMA: clarified components not placed and components intentionally omitted, pp. 3, 4, 7, 8</li> </ul>
2	Sept. 2014	<ul style="list-style-type: none"> <li>• Table 2, Maximum Ratings: updated Junction Temperature from 150°C to 175°C to reflect recent test results of the device, p. 1</li> <li>• Added Failure Analysis information, p. 14</li> </ul>

### ***How to Reach Us:***

**Home Page:**  
[freescale.com](http://freescale.com)

**Web Support:**  
[freescale.com/support](http://freescale.com/support)

Information in this document is provided solely to enable system and software implementers to use Freescale products. There are no express or implied copyright licenses granted hereunder to design or fabricate any integrated circuits based on the information in this document.

Freescale reserves the right to make changes without further notice to any products herein. Freescale makes no warranty, representation, or guarantee regarding the suitability of its products for any particular purpose, nor does Freescale assume any liability arising out of the application or use of any product or circuit, and specifically disclaims any and all liability, including without limitation consequential or incidental damages. "Typical" parameters that may be provided in Freescale data sheets and/or specifications can and do vary in different applications, and actual performance may vary over time. All operating parameters, including "typicals," must be validated for each customer application by customer's technical experts. Freescale does not convey any license under its patent rights nor the rights of others. Freescale sells products pursuant to standard terms and conditions of sale, which can be found at the following address: [freescale.com/SalesTermsandConditions](http://freescale.com/SalesTermsandConditions).

Freescale and the Freescale logo are trademarks of Freescale Semiconductor, Inc., Reg. U.S. Pat. & Tm. Off. All other product or service names are the property of their respective owners.

© 2010–2012, 2014 Freescale Semiconductor, Inc.