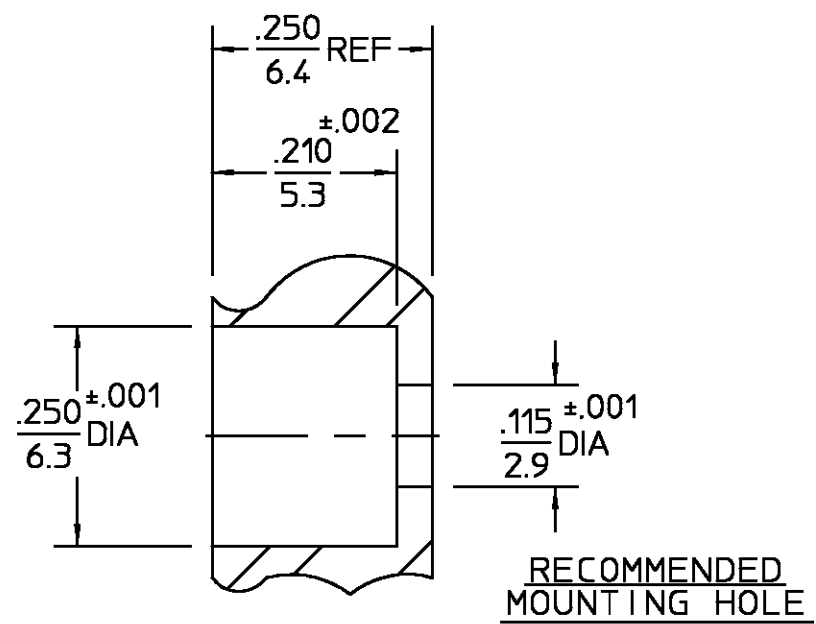
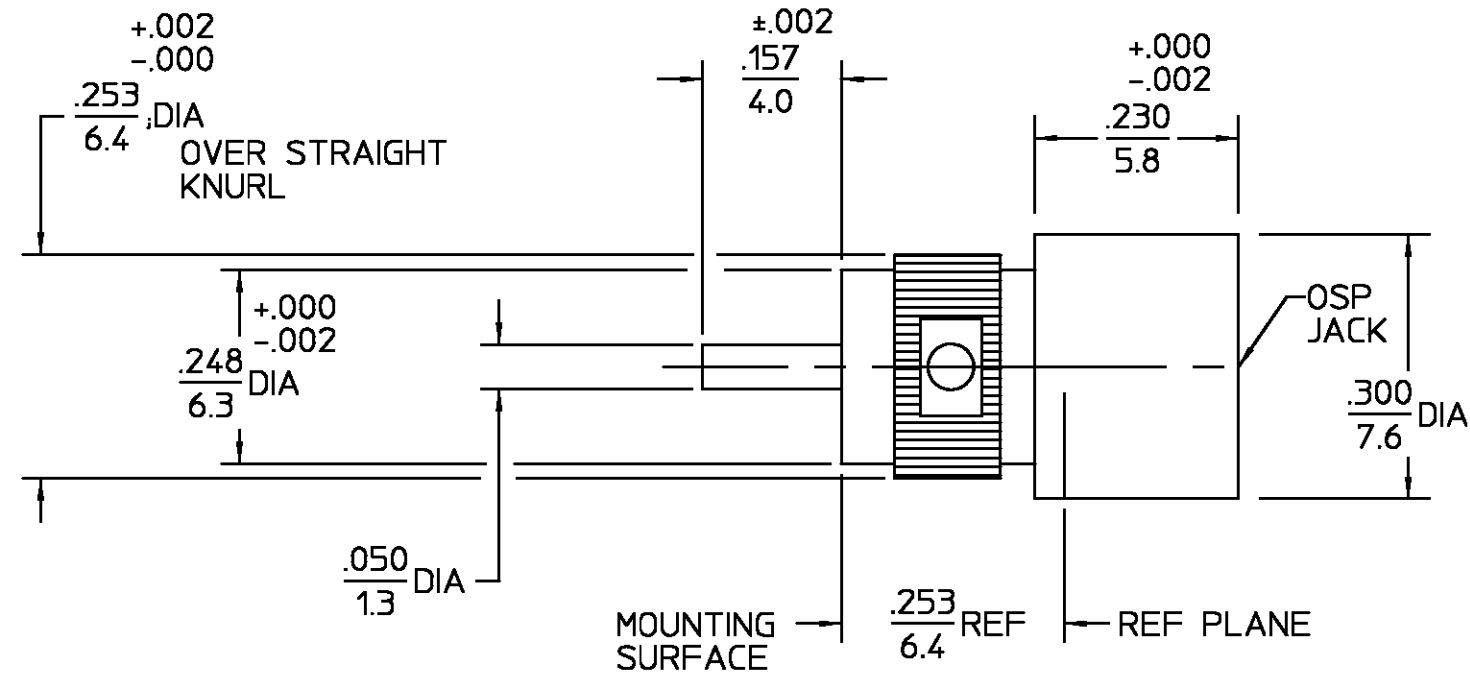


REVISIONS			
REV	DESCRIPTION	DATE	APPROVED
01 ₀	RELEASED	6/1/95	<i>M.M.</i>



ELECTRICAL	
Nominal Impedance (Ohms)	50
Frequency Range (GHz)	DC to 18
Volt Rating (VRMS MAX)	
@ Sea Level	500
VSWR	1.05+0.005f(GHz)
Insertion Loss (dB MAX)	.03x√f(GHz)
RF Leakage (dB MIN) (Interface Only, Fully Mated)	-(90-f(GHz))
Corona, 70,000 Ft (VRMS MIN)	335
Dielectric Withstanding Voltage (VRMS MIN) @ Sea Level	1000
Contact Resistance (Milliohms MAX)	
Center Contact	2.0
Outer Contact	2.0
Cable to Housing	N/A
RF High Potential @ Sea Level (VRMS MIN @ 5 MHz)	1000
LR.(Megohms MIN)	5000

MECHANICAL	
Interface Dimensions	PER M/A-COM CATALOG
Mating Characteristics:	
Insertion (MAX Lbs)	3
Withdrawal (MIN Oz)	1
Force to Engage (In-Lbs MAX) & Disengage (In-Lbs MAX)	3 & 15
Center Contact Captivation	
Axial (Lbs)	6
Cable Retention	
Axial Force (Lbs MIN)	N/A
Torque (In-Oz MIN)	N/A
Weight (Grams)	TBD

ENVIRONMENTAL	
Temperature Rating	-65° to +125°C
Vibration	MIL-STD-202, Method 204, Condition D
Shock	MIL-STD-202, Method 213, Condition I
Thermal Shock	MIL-STD-202, Method 107, Condition B
Moisture Resistance	MIL-STD-202, Method 106
Corrosion	MIL-STD-202, Method 101, Condition B

HOUSING	
DIELECTRIC	STAINLESS STEEL PER ASTM-A484 AND ASTM-A582, TYPE 303
CENTER CONTACT	TFE FLUOROCARBON PER ASTM-D-1457
CONTACT SLEEVE	BERYLLIUM COPPER PER ASTM B 196, ALLOY C17300, CONDITION H
CONTACT RING	BERYLLIUM COPPER PER ASTM B 194, ALLOY C17200, CONDITION H

COMPONENT	
	MATERIAL

FINISH	
	PASSIVATE PER ASTM-A380
	N/A
	GOLD PLATE PER MIL-G-45204
	GOLD PLATE PER MIL-G-45204

UNLESS OTHERWISE SPECIFIED DIMENSIONS ARE IN INCHES TOLERANCE ON

FRAC.	DEC.	ANGLES
± 1/64	±.005	± °

These drawings and specifications are the property of Omni Spectra Incorporated and shall not be reproduced or copied or used in whole or in part as the basis for the manufacture or sale of item(s) without written permission.

DRAWN BY *JANUAR* DATE 6/1/95
 CHECKED BY
 APPD BY
 USE ASS'Y PROCEDURE
 NO. AP. N/A

AMP Incorporated
 140 Fourth Avenue
 Waltham, MA 02451-7599

TITLE OSP PANEL FEEDTHRU JACK RECEPTACLE STRAIGHT TERMINAL

SIZE B	CODE IDENT NO. 26805	4558-5336-02	REV 01 ₀
--------	----------------------	--------------	---------------------

SCALE 5:1 SHEET 1 OF 1

.XXX = in
 XX.X = mm