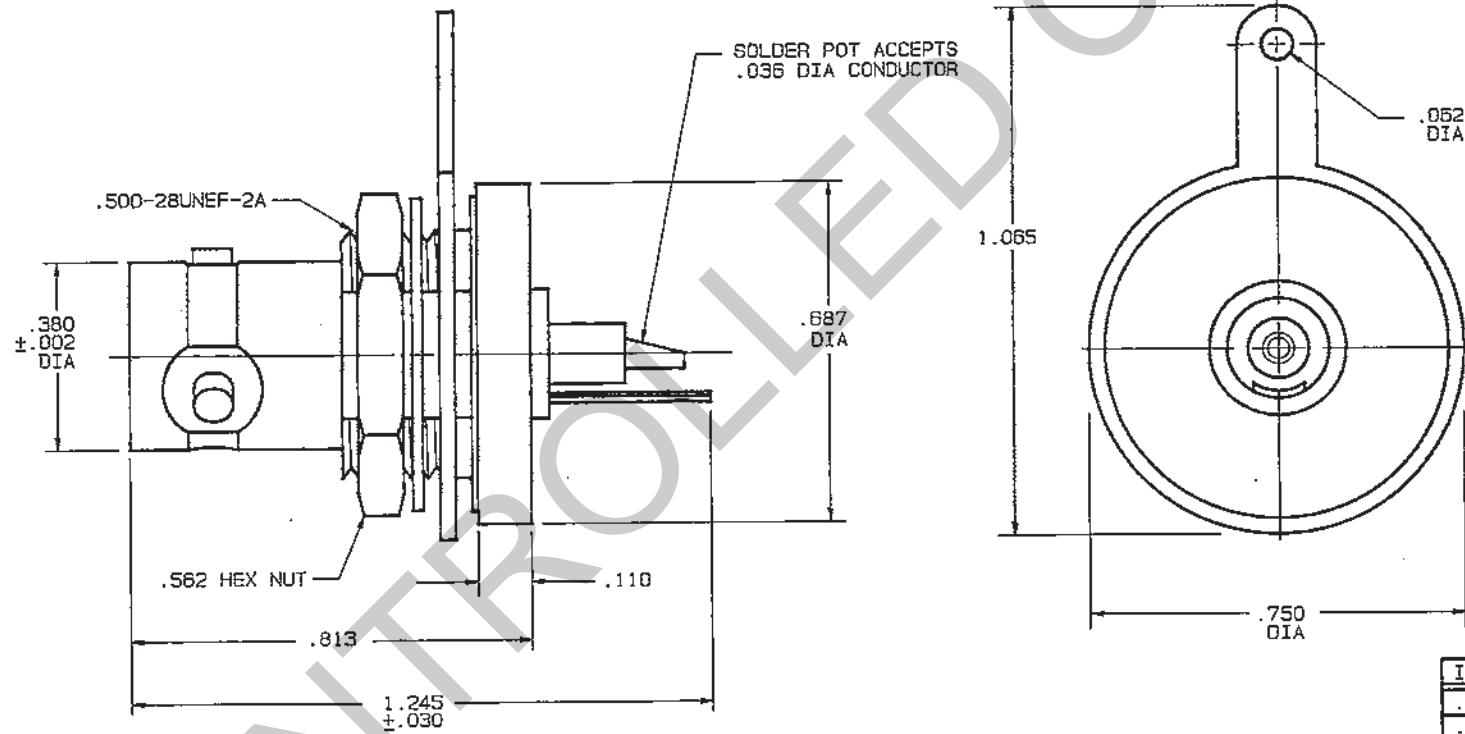
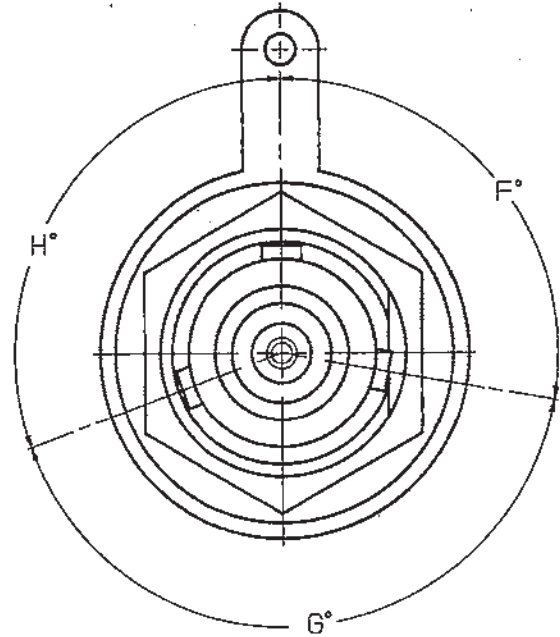


DISK # DWG SIZE DATA CONTAINED IN THIS DOCUMENT IS PROPRIETARY TO TROMPETER ELECTRONICS INC. AND SHALL NOT BE DISCLOSED, COPIED OR USED FOR PROCUREMENT OR MANUFACTURE WITHOUT EXPRESS WRITTEN PERMISSION.

REV		EO	DESCRIPTION	DWN	APPROVED	DATE
K		9164	ADDED -1 THRU -9; -9 WAS BASIC; ADDED POLARIZATION CHART TABLE; ADDED END VIEW & NOTE 6; NOTE 5 WAS FOR POLARIZED VERSION SEE 305-0763 & ADDED (5) TO ITEM 1	J S	E.M.	1/25/91

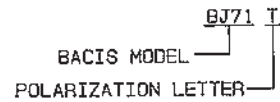
3-0258 SH 1

DASH NO	KEYING LETTER	F DEGREES	G DEGREES	H DEGREES	COLOR BAND
-1	T	100°	150°	110°	RED
-2	U	120°	130°	110°	ORANGE
-3	V	115°	130°	115°	YELLOW
-4	W	125°	110°	125°	GREEN
-5	X	130°	100°	130°	BLUE
-6	Y	110°	140°	110°	VIOLET
-7	Z	100°	160°	100°	GRAY
-8	S	135°	135°	90°	WHITE
-9	NONE	120°	120°	120°	NONE

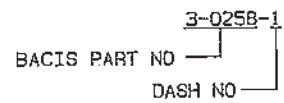


-1 SHOWN

6. EXAMPLE OF COMPLETE MODEL NO:



5. EXAMPLE OF COMPLETE PART NO:

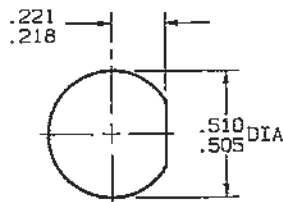


4. MAX PANEL THK .094

3. CONCENTRIC TWINAX/TRIAX TRS REAR MOUNT SOLDER POT BULKHEAD RECEPTACLE

2. FINISH: TFS-1A (NICKEL)

1. ALL DIM ARE IN INCHES



RECOMMENDED
PANEL CUTOUT
SCALE: 2/1

INCH	MM
.002	0.05
.005	0.13
.030	0.76
.036	0.91
.052	1.57
.094	2.39
.110	2.79
.218	5.54
.221	5.61
.360	9.65
.505	12.83
.510	12.95
.562	14.27
.687	17.45
.750	19.05
.813	20.65
1.065	27.05
1.245	31.62

QTY	DESCRIPTION	PART NUMBER	ITEM
TOL UNLESS SPECIFIED			
.XX ±			
.XXX ± .005			
.XXXX ±			
ANGLES			
DWN	J S	1/21/91	MATERIAL
CHK	E.M.	1/22/91	CODE IDENT
ENGR			DRAWING NO.
APPR			REV
NEXT ASSY			SCALE 4/1
			DATE 1/11/82
			SHEET 1 OF 2



B771

14949

3-0258

K

RED INDICATES ORIGINAL