

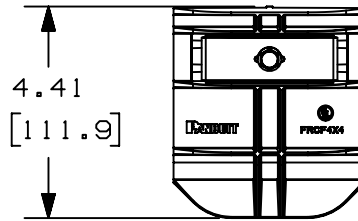
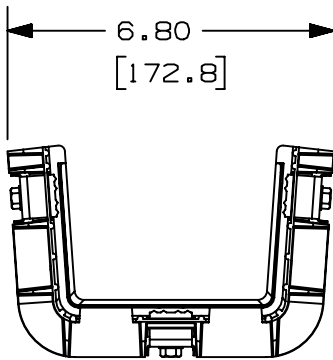
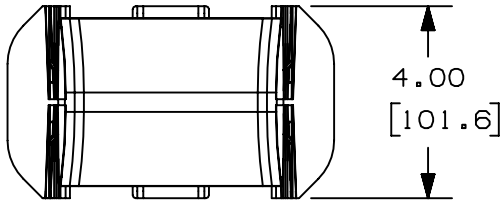
2

1

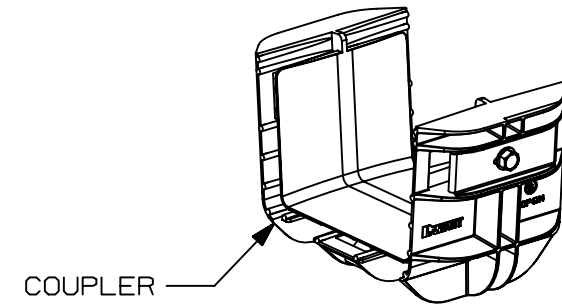
THIS COPY IS PROVIDED ON A RESTRICTED BASIS AND IS NOT TO BE USED IN ANY WAY DETRIMENTAL TO THE INTERESTS OF PANDUIT CORP.

NOTES:

1. SEE CURRENT CATALOG FOR ADDITIONAL PART SUFFIXES TO INDICATE COLOR AND/OR PACKAGE QUANTITY.
2. DIMENSIONS IN PARENTHESES ARE IN METRIC.
3. PARTS SUPPLIED:  
(1) - COUPLER



PANDUIT PART NUMBER	WEIGHT	MATERIAL
FRBC4X4**	0.71 LB/EACH (322g/EACH)	ABS
FRBC4X4L**	0.71 LB/EACH (322g/EACH)	PC/ABS



REV	DATE	BY	CHK	APR	DESCRIPTION	ECN
04B	8/31/20	MEX-JAGC	DWR	DWR	ADDED PART NUMBER	V09002DZ/11
4	02-20-13	JBN	RTFI	RN	J. UPDATED DRAWING BORDER & TITLE BLOCK	37847-50

<p>TITLE</p> <p><b>FIBERRUNNER 4X4 QUIKLOCK COUPLER</b> <b>(FRBC4X4**, FRBC4X4L**)</b></p> <p>CUSTOMER DRAWING</p>			
<p>ITEM REVISION NAME</p> <p><b>D37847CT/03</b></p>			
<p>DATASET FILE NAME</p> <p><b>D37847CT_DC/03C</b></p>			
<p>MATERIAL:</p> <p>SEE PART NUMBER TABLE ABOVE</p>		<p>DRAWING NUMBER:</p> <p><b>37847-50</b></p>	
<p>DRAWN BY</p> <p>JHNU</p>	<p>DATE</p> <p>07-13-01</p>	<p>CHK</p> <p>DJWA</p>	<p>SCALE</p> <p>NONE</p>
<p>THIRD ANGLE PROJECTION</p>		<p>SHT 1 OF 1</p>	
<p>SIZE</p> <p>A</p>			

2

1