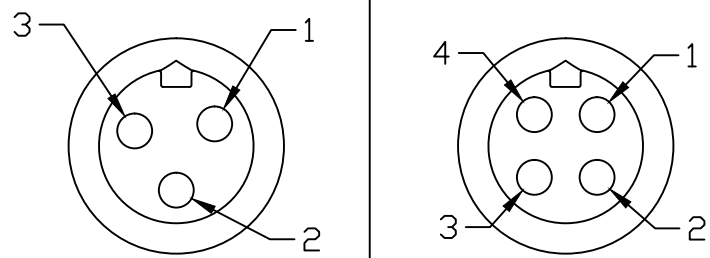


FACE VIEW-MALE INSERT



- |         |         |
|---------|---------|
| 1 BLACK | 1 BLACK |
| 2 GREEN | 2 GREEN |
| 3 WHITE | 3 RED   |
|         | 4 WHITE |

PART NUMBER LEGEND

CR4006A30M0108

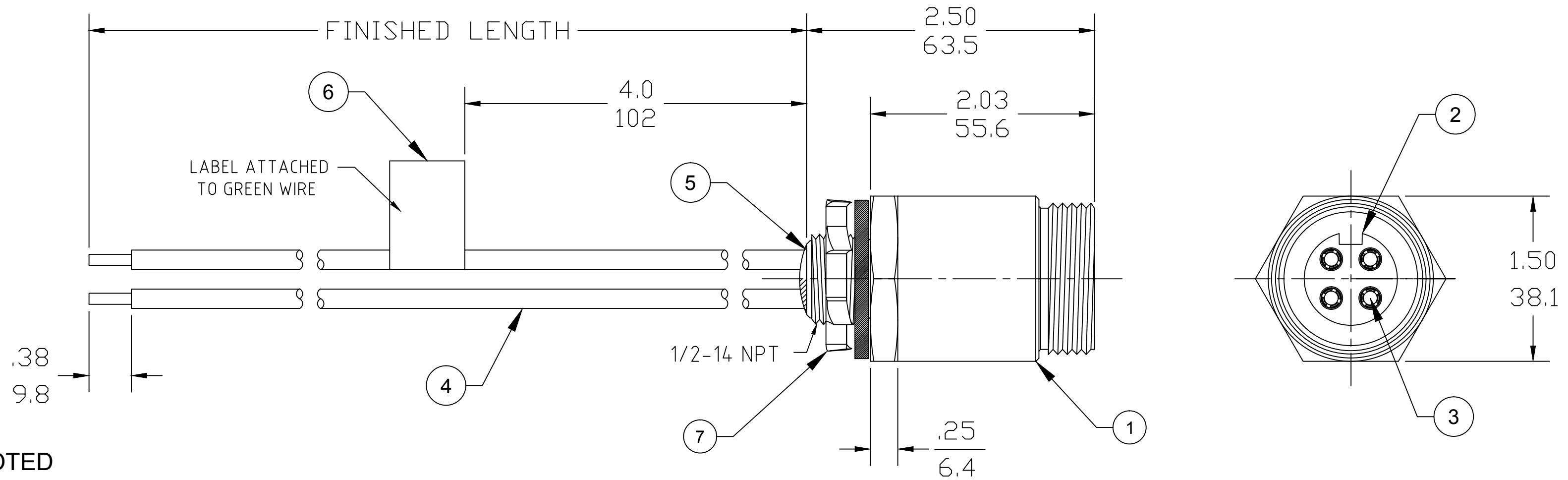
POLES

SS SHELL

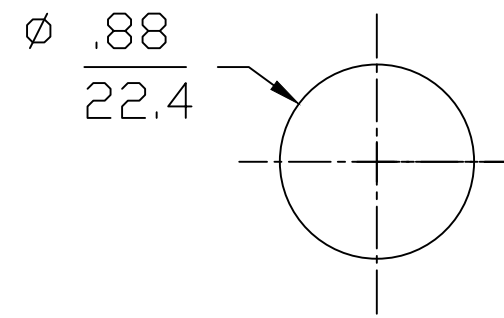
WIRE TYPE  
10 AWG PVC

FINISHED LENGTH:  
M005= 0.5 METER  
M010= 1 METER  
M100= 10 METER

CABLE LENGTH TOLERANCES	
>.3M [1FT]:	+19mm-0 [+ .75in-0]
.3 - .9M [1 - 3FT]:	+44.5mm-0 [+1.75in-0]
.9 - 1.8M [3 - 6FT]:	+55.6mm-0 [+2.19in-0]
1.8 - 3.7M [6 - 12FT]:	+88.9mm-0 [+3.50in-0]
3.7 - 7.3M [12 - 24FT]:	+165.1mm-0 [+6.50in-0]
7.3-14.6M [24 - 48FT]:	+317.5mm-0 [+12.50in-0]
14.6 - 30.5M [48-100FT]:	+622.3mm-0 [+24.50in-0]
OVER 30M [100FT]	+2% OF FINISHED LENGTH



- NOTES:
- MATERIAL: AS NOTED
  - FINISH: AS NOTED
  - ELECTRICAL:  
VOLTAGE: 3P: 630V PER IEC60664  
4P: 500V PER IEC60664  
600V PER UL2237  
CURRENT: 32A
  - TEMP RATING: -20°TO +90°C
  - PROTECTION: IP67 (WHEN MATED)
  - COUPLING THREAD: 1 3/8-16UN
  - UL LISTED FILE: E258922
  - ALL DIMS ARE FOR REFERENCE UNLESS NOTED OTHERWISE



REF. KNOCKOUT HOLE

CHART

PART NO.	ENGINEERING NO.	FINISHED LENGTH	POLES
1300660120	CR3006A30M0108	1.0M (3FT 3IN)	3
1300660172	CR4006A30M0108	1.0M (3FT 3IN)	4
1300662006	CR4006A30M0058	0.5M (1FT 8IN)	4

ITEM	DESCRIPTION	MATERIAL	FINISH
7	LOCK-NUT	STEEL	ZINC PLATED
6	FLAG LABEL	VINYL	BLACK/YELLOW
5	POTTING MATERIAL	EPOXY	
4	WIRE, 10 AWG UL 1015	PVC INSULATION	SEE FACE VIEW
3	CONTACT PIN	COPPER ALLOY	GOLD PLATED
2	MALE INSERT	PVC	BLACK
1	RECEPTACLE SHELL	ST. STEEL	PASSIVATED

UL 1015 WAS THHN	EC NO: ICG2019-0166	DRWN: JCAPPOZZ 2018/10/11	CHKD: ---	APPR: BWOODMAN2017/10/04	DESCRIPTION
QUALITY SYMBOL	▽=0	▽=0			

GENERAL TOLERANCES (UNLESS SPECIFIED)	
	IN/MM
4 PLACES	±--- ±---
3 PLACES	±--- ±---
2 PLACES	±--- ±---
1 PLACE	±--- ±---
ANGULAR ±---°	
DRAFT WHERE APPLICABLE MUST REMAIN WITHIN DIMENSIONS	

DIMENSION STYLE	
IN/MM	
DRAWN BY	DATE
RSTONE	2017/09/14
CHECKED BY	DATE
M ZIELIN	----
APPROVED BY	DATE
BWOODMAN	2017/10/04
MATERIAL NO.	SEE CHART
SIZE	C

SCALE	DESIGN UNITS	THIRD ANGLE PROJECTION	
---	INCH		
TITLE			
QUICK CHANGE RECEPTACLE MALE, 3 & 4 POLE 10 AWG, SS			
MOLEX INCORPORATED		SHEET NO. 1 OF 1	
DOCUMENT NO. SD-130066-084			
THIS DRAWING CONTAINS INFORMATION THAT IS PROPRIETARY TO MOLEX INCORPORATED AND SHOULD NOT BE USED WITHOUT WRITTEN PERMISSION			