

## Elbow cable gland

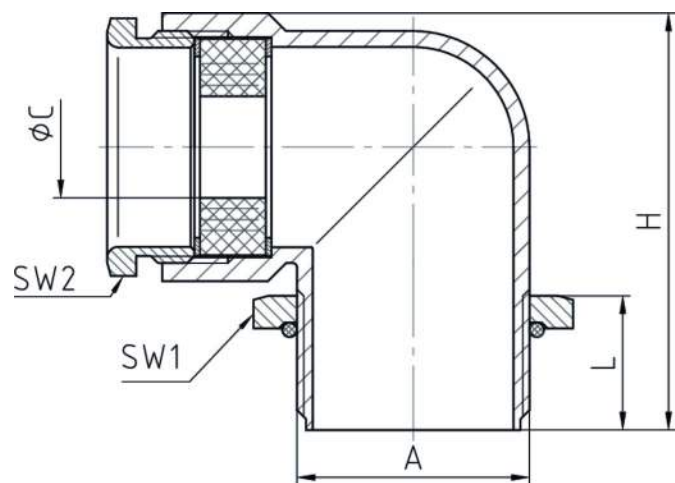
21.7xxM

<b>Pressure screw</b>	Brass CuZn39Pb3, nickel-plated
<b>Washers</b>	Steel, zinc-plated
<b>Sealing ring</b>	SBR/NBR, multiple perforation
<b>Elbow</b>	Zinc die-casting, nickel-plated
<b>Locknut</b>	Brass CuZn39Pb3, nickel-plated
<b>O-ring</b>	Nitrile rubber NBR
<b>Connecting thread</b>	metric, as per EN 60423




### Properties

	<ul style="list-style-type: none"> <li>for application in installation areas with small amounts of space due to construction dimensions</li> <li>locknut allows adjustment in any position</li> </ul>
<b>Temperature range</b>	-20 °C +100 °C
<b>Protection grade</b>	IP55



### Features

Connecting thread standard length

A	ØC	L	SW1	SW2	H	 VPE	Part No.
M16x1,5	5 - 9	16	22	16	38	100	21.716M
M20x1,5	7 - 12	16	26	20	42	50	21.720M
M25x1,5	8,5 - 15	16,5	34	25	48,5	50	21.725M
M32x1,5	14 - 20	18,5	40	32	57,5	25	21.732M

\* The maximum clamping range is dependent on type of cable and assembling.