

Beam0412-140-Blue (4-Pack)

SKU: 60715 Weight: 50.40 Gram

What Are Beams?

Beams are the most frequently-used parts of Makeblock platform which can be used to build all kinds of mechanical structures. Beam 0412 series is usually applied as linking-rod parts and comes with different length varying from 36mm to 236mm for various building needs.

Versatile Usage

- Works perfectly with Plastic Gear, Timing Pulley, other wheel-related parts, and motor shafts;
- Build various linking-rod structures thru different combinations;
- Can be used with angular sensor to enables angle feedback between 2 linking-rod parts;
- Equipped with slots for easy and flexible connection with Beam 0808 & 0824.

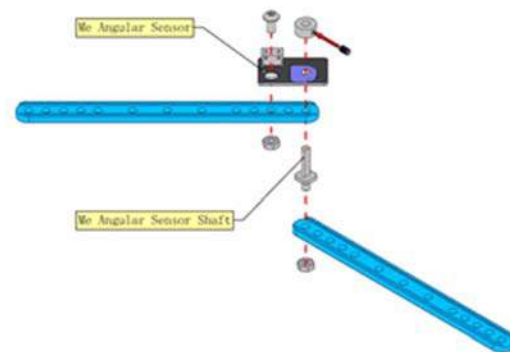
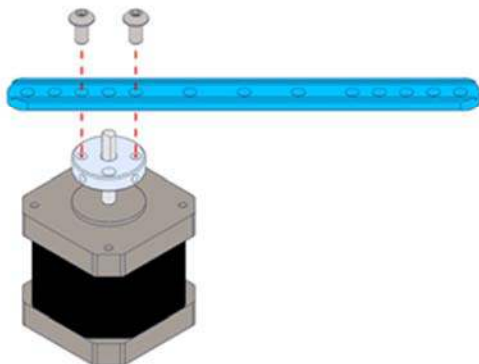
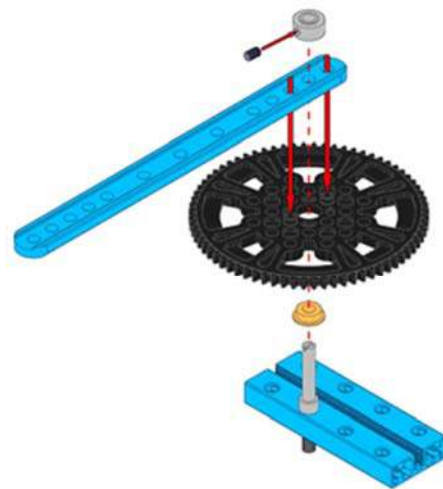
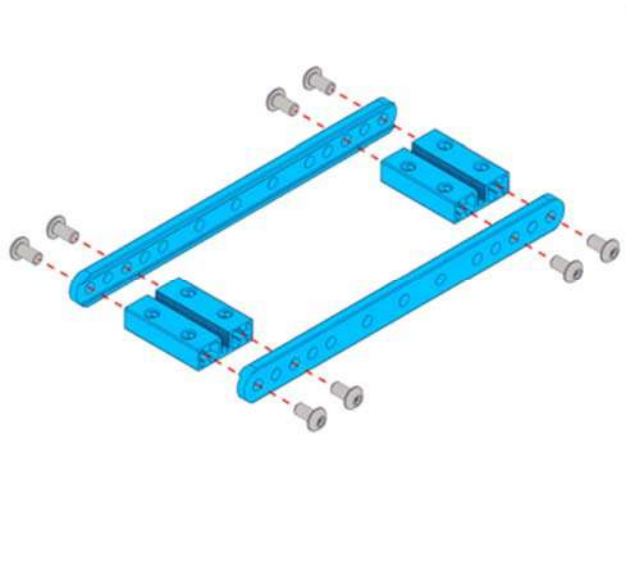
Design & Material

- Compatible with most Makeblock motions and structure components;
- Made from heavy-duty 6061 aluminum extrusion with anodized surface for long-time use;
- With 4mm diameter through-holes on 16mm increments.

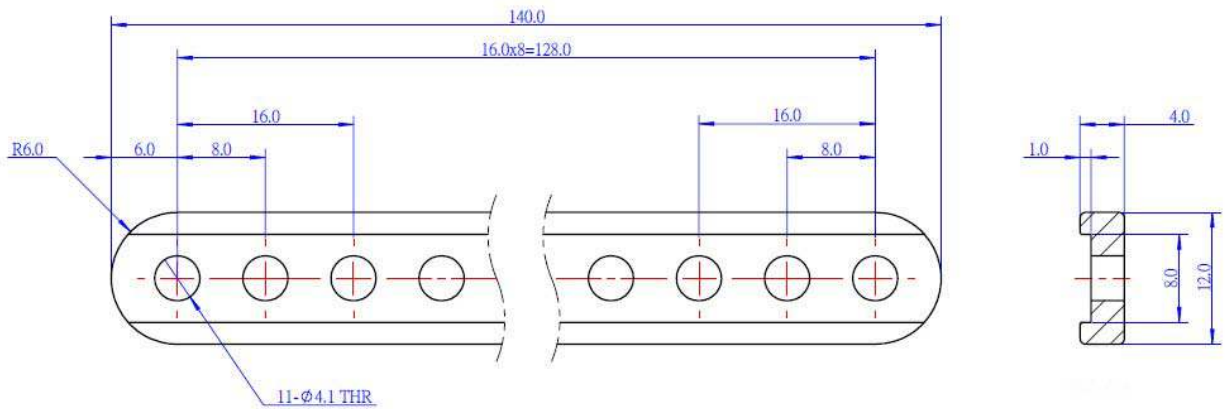
Note

This page is for Beam 0412-140 with length of 140mm. For other configuration, please search Beam 0412 in our website.

Building Examples:



Size Chart (mm):



Specifications

| | |
|--------------------|--------------------------------------|
| SKU | 60715 |
| Material | 6061 Aluminum |
| Diameter of holes | 4mm |
| Cross-section area | 4 x 12mm |
| Length | 140mm |
| Package content | 4 x Beam 0412-140 |
| Dimension | 140 x 12 x 4mm (5.51 x 0.47 x 0.16") |
| Net Weight | 50.4g (1.78oz) |