

THIS DRAWING IS UNPUBLISHED.

RELEASED FOR PUBLICATION

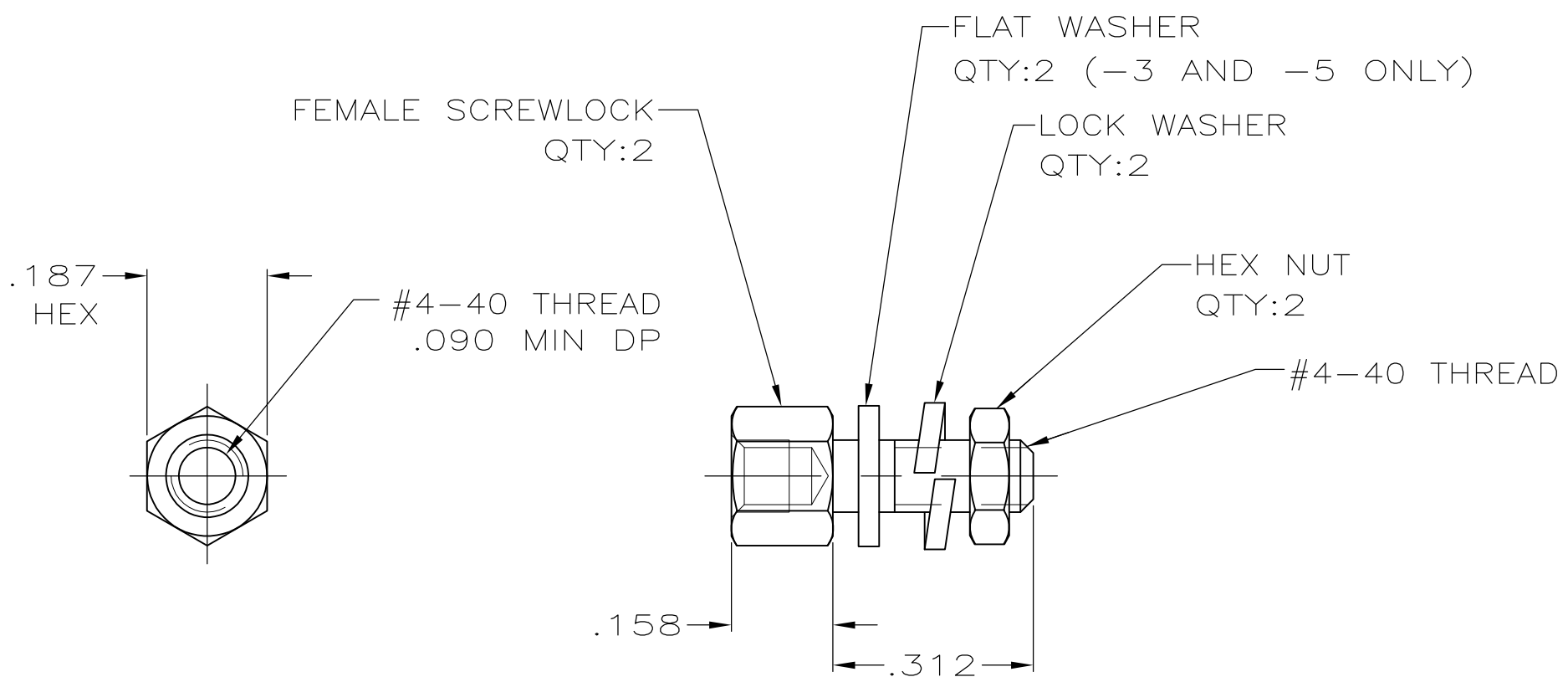
ALL RIGHTS RESERVED.

© COPYRIGHT - By -

LOC GP DIST 00

REVISIONS

P	LTR	DESCRIPTION	DATE	DWN	APVD
	R	REVISED PER ECO-15-002171	04MAR2015	AP	PR



- 1. PARTS PACKAGED UNASSEMBLED.
- 2. PARTS PACKAGED AS A UNIT KIT.
- 3 ZINC PLATING .000200-.000400 THICK, YELLOW CHROMATE COATING.
- 4 ZINC PLATING .000200-.000400 THICK, CLEAR CHROMATE COATING.

4	W/ FLAT WASHER	5748271-5
	W/O FLAT WASHER	5748271-4
3	W/ FLAT WASHER	5748271-3
	W/O FLAT WASHER	5748271-1
FINISH	REMARKS	PART NUMBER

THIS DRAWING IS A CONTROLLED DOCUMENT.		DWN S.WAITMAN 12JUL05	<b>STE</b> TE Connectivity		
DIMENSIONS: INCHES		CHK C.ROHDE 12JUL05			
TOLERANCES UNLESS OTHERWISE SPECIFIED:		APVD M.WALMSLEY 12JUL05	NAME FEMALE SCREWLOCK KIT, SHORT HEAD, .090 PANEL, AMPLIMITE		
0 PLC ± -		PRODUCT SPEC -	APPLICATION SPEC -		
1 PLC ± -		WEIGHT -	SIZE A3	CAGE CODE 00779	DRAWING NO C-5748271
2 PLC ± -		FINISH 3	RESTRICTED TO -		
3 PLC ± .005			SCALE 4:1	SHEET 1 OF 1	REV R
4 PLC ± -		CUSTOMER DRAWING			
ANGLES ± -					
MATERIAL STEEL					