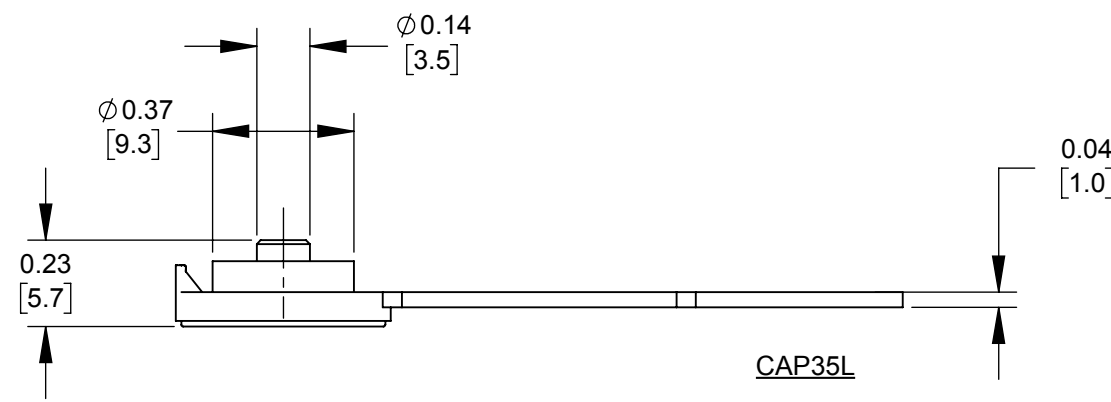


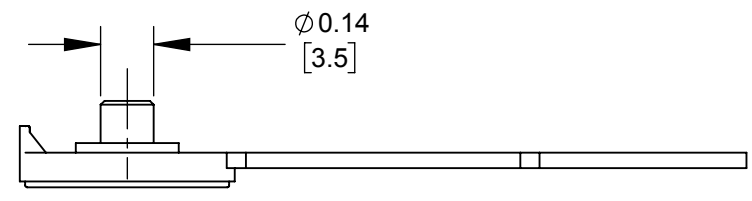
CAP35N

CAP35S

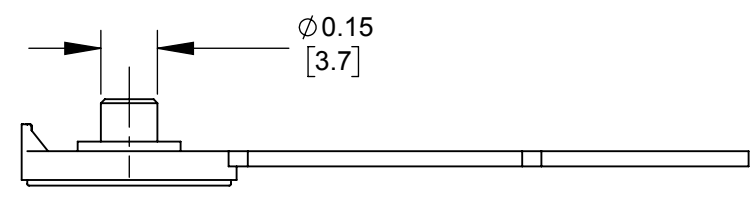
CAP35L



CAP35L



CAP35S



CAP35N

CAP35

L - USE WITH 35FM3LS, 35FM3L, 35FM3AUL, 35FM3AULS
35RM3LS, 35RM3L, 35RM3AUL, 35RM3AULS

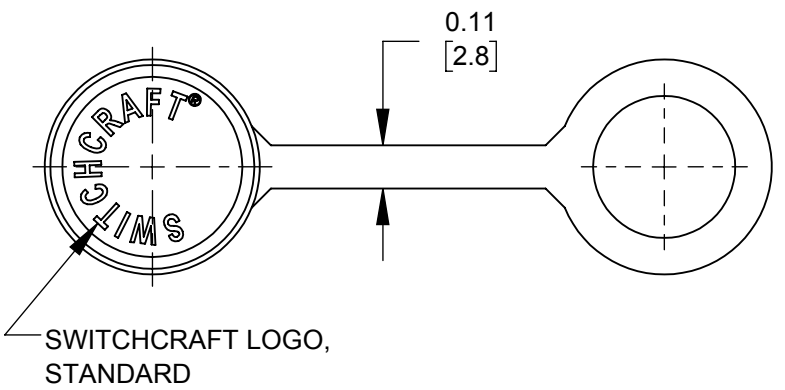
S - USE WITH 35FM3S, 35FM3AUS, 35RM3S, 35RM3AUS

N - USE WITH 35FM3, 35FM3AU, 35RM3, 35RM3AU

NOTES:

- PROTECTIVE DUST CAPS TO BE USED ON 3.5MM PANEL MOUNT JACKS.
WEATHERTIGHT RATINGS - IP67 & IP68
THERMAL SHOCK-MIL-STD-202G, METHOD 107G
MOISTURE RESISTANCE- MIL-STD-202G, METHOD 106G
- DIMENSIONS SHOWN FOR REFERENCE ONLY
- MATERIAL: THERMOPLASTIC ELASTOMER, BLACK COLOR
- THIS PART IS RoHS COMPLIANT

CUSTOMER DRAWING



SWITCHCRAFT LOGO,
STANDARD

REV	ECO NUMBER	DATE	BY	APVD
0B	ADDED IP RATINGS	05/21/18	AM	*
0A	FIRST DRAWN	02/22/18	AM	*

UNLESS OTHERWISE SPECIFIED
1. ALL DIMENSIONS IN INCHES [mm]
- TWO PLACE DECIMALS ±0.02 [0.5]
- THREE PLACE DECIMALS ±0.005 [0.13]

DO NOT SCALE DRAWING

THIS DRAWING DESCRIBES A DESIGN CONSIDERED PROPRIETARY IN NATURE, DEVELOPED AND MANUFACTURED BY SWITCHCRAFT INC. AND IS RELEASED ON A CONFIDENTIAL BASIS FOR IDENTIFICATION PURPOSES ONLY.				
SIZE *	WIDTH *	MULT *	LBS/M *	TEMPER *
FINISH *			MATERIAL *	
SPEC No. *			SPEC No. *	
FIRST USED ON *		SCALE 2:1		
DATE DRAWN	BY	CHKD	APVD	
02/22/18	AM	*	*	
NAME PROTECTIVE CAP, RoHS PNL MNT 3.5MM JACKS			PART No. CAP35 SERIES	
REV 0B			SHEET 1 OF 1	