

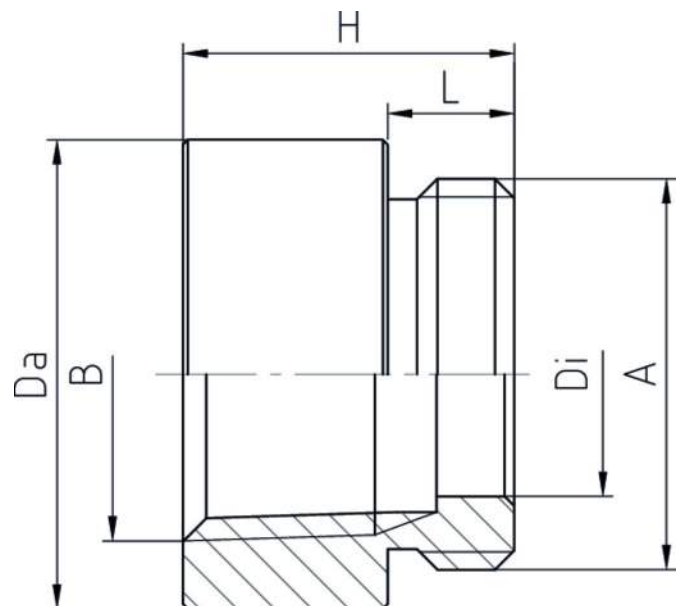
### Adapter

<b>Adapter</b>	Brass CuZn39Pb3, nickel-plated
<b>External thread</b>	metric, as per EN 60423
<b>Internal thread</b>	NPT



### Properties

<b>Temperature range</b>	-60 °C +200 °C
<b>Protection grade</b>	dependent on the combination with other components
<b>Comment</b>	<ul style="list-style-type: none"> <li>• adapter from metric to NPT-threaded holes</li> </ul> available on request with O-ring made of Nitrile rubber NBR Part code MxxNPTxxx/OM selected sizes also available with hexagonal



### Features

A	B	L	H	Da	Di	VPE	Part No.
M16x1,5	NPT 1/2"	6,5	25	24	11	100	M16NPT1/2
M20x1,5	NPT 1/2"	6,5	25	24	15	50	M20NPT1/2
M25x1,5	NPT 3/4"	7	28	30	18	25	M25NPT3/4
M32x1,5	NPT 3/4"	8	26	37	23	25	M32NPT3/4
M32x1,5	NPT 1"	8	33	38	27	25	M32NPT1
M40x1,5	NPT1 1/4"	8	34	46	34	10	M40NPT11/4