

Description:

10Gigabit (10GBase-T) single port RJ45 right angle entry, mid-mount PCB platform with integrated magnetics connector, designed to support applications, such as embedded computing, NIC Cards, Low Profile Servers and switches



- Ⓢ RoHS peak wave solder temperature rating 260°C
- Ⓢ Side entry, mid-mount to minimize height above PCB to less than 9.6mm
- Ⓢ Meets IEEE 802.3 specification
- Ⓢ Matched to leading 10G Phys in the Market
- Ⓢ High performance for maximum EMI suppression
- Ⓢ Lead (Pb) and Halogen Free

Electrical Specifications @ 25°C - Operating Temperature 0°C to +70°C

Part Number	LEDs ¹	OCL PHY side (MIN) (100KHz, 100V)	Number of Channels	Insertion Loss TX/RX (dB)	Return Loss (dB MIN) 100Ω (±15Ω)					Cross Talk (dB TYP)		Common Mode Rejection (dB TYP)			Hipot (MIN) @60Hz 1 MIN
					1-100 MHz	1-100 MHz	200 MHz	300 MHz	400-500 MHz	1-100 MHz	200-500 MHz	1-100 MHz	100-300 MHz	300-500 MHz	
JT3-1105HL	G/G-Y	180uH	N/A	-1.2	-2.2	-16	-13	-9	-28	-19	-38	-30	-25	1500Vrms	
JT3-1115HL	G-Y/G	180uH	N/A	-1.2	-2.2	-16	-13	-9	-28	-19	-38	-30	-25	1500Vrms	
JT3-1125HL	G-Y/G	180uH	N/A	-1.0	-2.2	-18	-13	-9	-28	-19	-38	-30	-25	1500Vrms	
JT3-1128HL	None	180uH	N/A	-1.0	-2.2	-18	-13	-9	-28	-19	-38	-30	-25	1500Vrms	

Notes: 1. LEDs Left/Right G = green, Y = yellow

RJ45 Durability Testing Rating

Part Number	Mating Force (MAX)	Unmating Force (MAX)	Durability	Plug to Jack Retention (MIN)
JT3 Series	5 lbs./2.268 kgs.	5 lbs./2.268 kgs.	750 Insertions	20 lbs./9.072 kgs.

RJ45 Material Specification

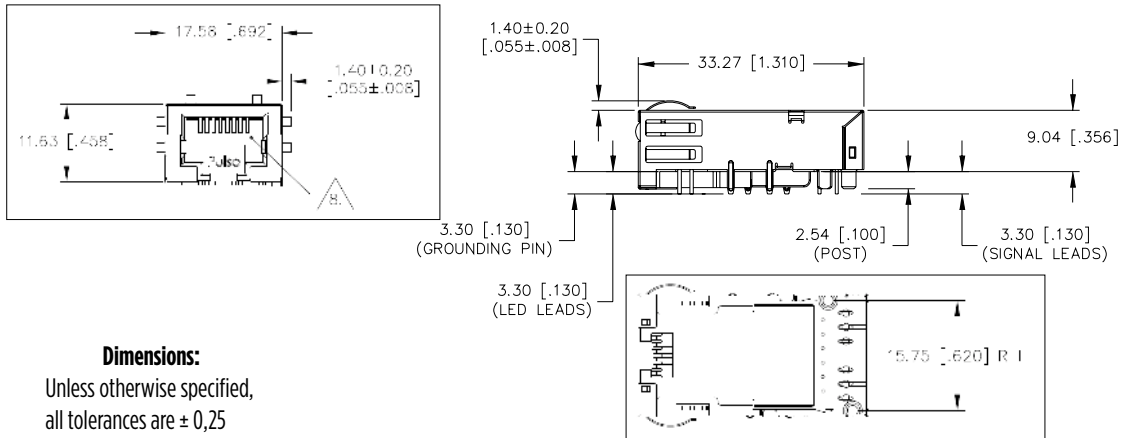
Part Number	Shield		Contact			Housing		MSL ² Rating
	Material	Finish	Material	Plating Area	Solder Area	Material	Specification	
JT3 Series	Brass	30-50μ inches thick nickel over brass	Phosphor Bronze	30μ inches gold over 50μ inches nickel	Tin matte finish over nickel	Thermoplastic	UL 94 V-0	1

Notes: 1. Connector dimensions comply with FCC dimension requirements.

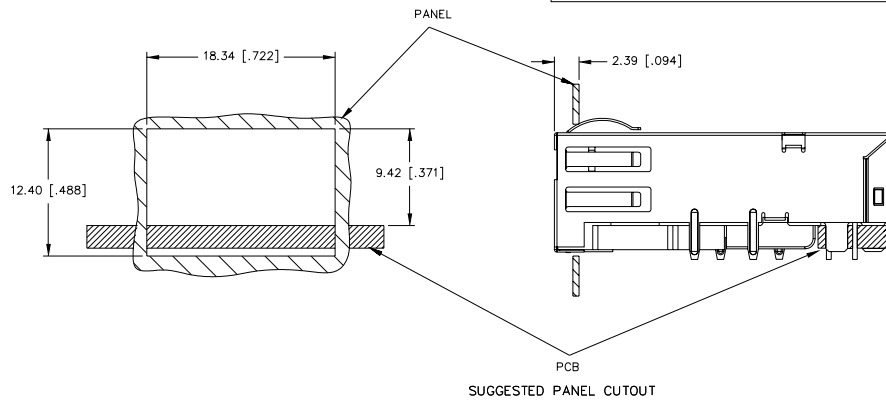
2. MSL - Moisture Sensitivity Level

MECHANICALS

JXD2-0Z11NL/-0Z14NL

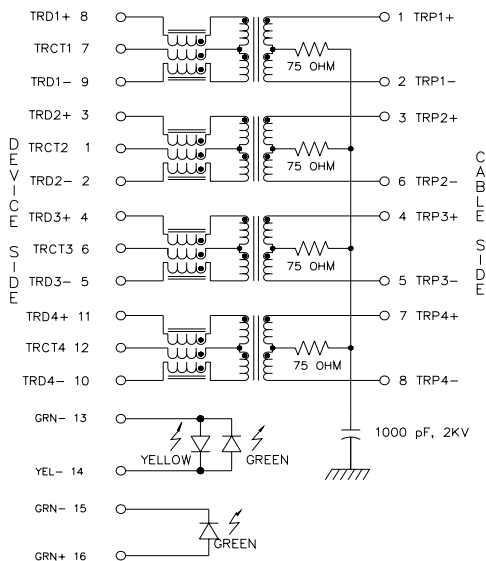


Dimensions:
Unless otherwise specified,
all tolerances are ± 0,25

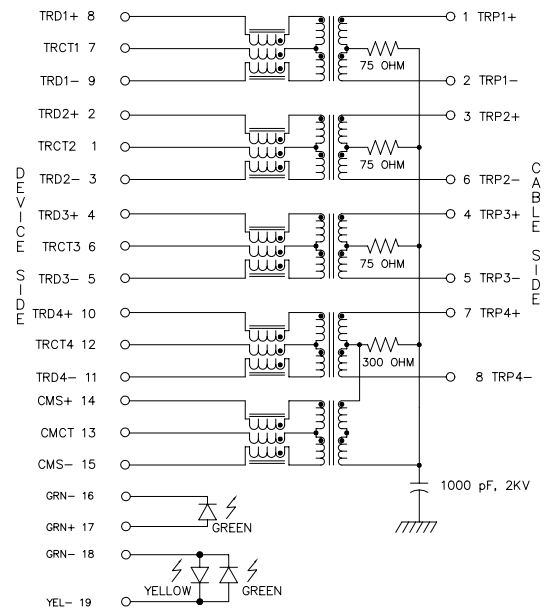


SCHEMATICS

JT3-1105NL

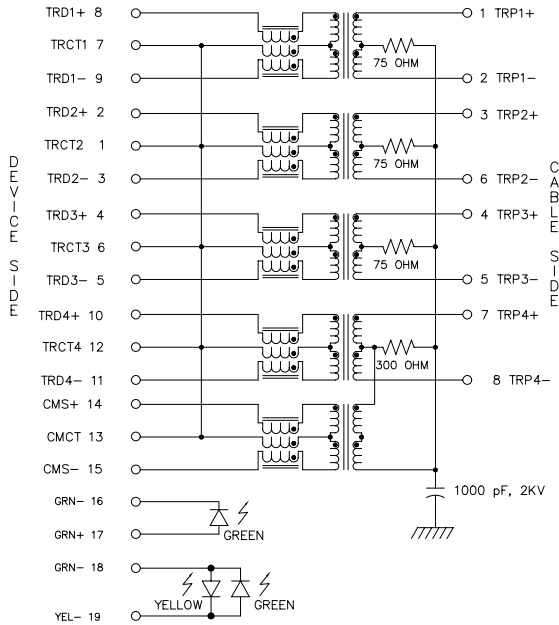


JT3-1115NL

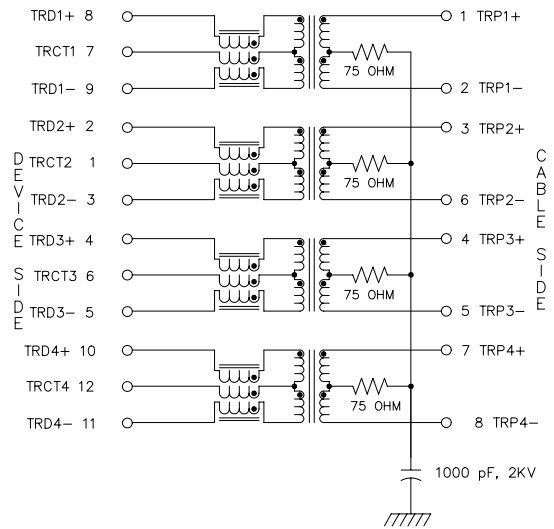


SCHEMATICS

JT3-1125HL

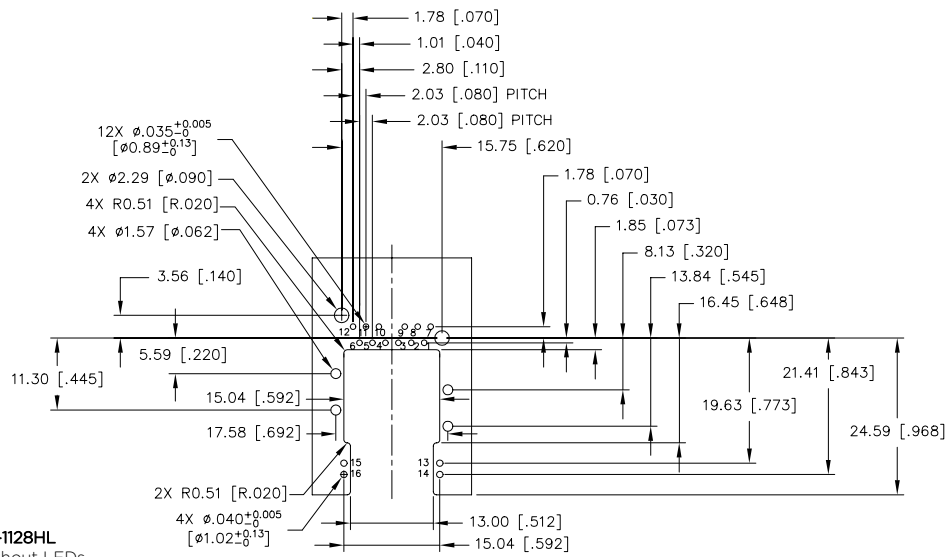


JT3-1128HL



PCB LAYOUT

JT3-1105HL, JT3-1128HL - 4 Channel

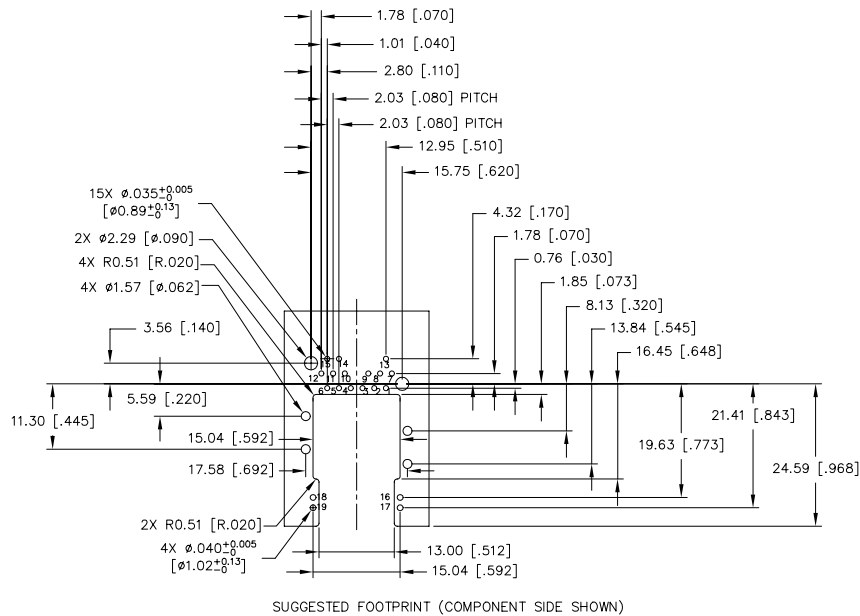


NOTE: JT3-1128HL
-Option without LEDs
OMIT PINS 13 - 15

SUGGESTED FOOTPRINT (COMPONENT SIDE SHOWN)

PCB LAYOUT

JT3-1115HL, JT3-1125HL - 5 Channel



LED DETAILS

JT3-11xxHL

EMITTED COLOR	GREEN	YELLOW
WAVELENGTH (nm)	565	590
POWER DISSIPATION (Pd)	105 mW MAX	105 mW MAX
DC FORWARD CURRENT	20 mA MAX	20 mA MAX
FORWARD VOLTAGE (VF) @ 20 mA	2.2V TYP	2.1V TYP

Note: Per Vendor Specification

For More Information:

Americas - prod_info_network_americas@yageo.com | Europe - prod_info_network_emea@yageo.com | Asia - prod_info_network_apac@yageo.com

Performance warranty of products offered on this data sheet is limited to the parameters specified. Data is subject to change without notice. Other brand and product names mentioned herein may be trademarks or registered trademarks of their respective owners. © Copyright, 2023. Pulse Electronics, Inc. All rights reserved.