

GW PL DP/HART - Protocol converter



2316362

<https://www.phoenixcontact.com/us/products/2316362>

Please be informed that the data shown in this PDF document is generated from our online catalog. Please find the complete data in the user documentation. Our general terms of use for downloads are valid.

HART to PROFIBUS DP protocol converter



Product description

Protocol converter capable of connecting four HART (4-20 mA) devices to a PROFIBUS DP network

Commercial data

Item number	2316362
Packing unit	1 pc
Sales key	DN11
Product key	DNC135
Catalog page	Page 462 (C-6-2019)
GTIN	4055626128306
Weight per piece (including packing)	274.3 g
Weight per piece (excluding packing)	267.3 g
Customs tariff number	85176200
Country of origin	US

Technical data

Notes

Utilization restriction

EMC note	EMC: class A product, see manufacturer's declaration in the download area
----------	---

Product properties

Product type	Interface converter
--------------	---------------------

Insulation characteristics

Overvoltage category	II
Degree of pollution	2

Electrical properties

Supply

Supply voltage range	18.5 V DC ... 30 V DC ()
Nominal supply voltage	24 V DC
Max. current consumption	75 mA
Connection method	COMBICON plug-in screw terminal block

Connection data

Supply

Connection method	COMBICON plug-in screw terminal block
Conductor cross section, flexible	0.20 mm ² ... 2.50 mm ²
Conductor cross section, rigid	0.20 mm ² ... 2.50 mm ²
Conductor cross section AWG	24 ... 12
Tightening torque	0.5 Nm ... 0.6 Nm

Interfaces

Data: PROFIBUS DP

Data rate	9.6 kbps (min.)
	12 Mbps (max.)
Number of connections	2
Connection method	D-SUB-9, COMBICON
No. of channels	1
Tightening torque	0.5 Nm ... 0.6 Nm
Connection technology	Screw connection
Termination resistor	390 Ω - 220 Ω - 390 Ω (switchable)
Conductor cross section flexible max.	2.5 mm ²
Conductor cross section flexible min.	0.2 mm ²
Conductor cross section, rigid max.	2.5 mm ²

GW PL DP/HART - Protocol converter

2316362

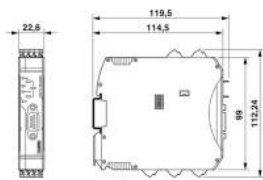
<https://www.phoenixcontact.com/us/products/2316362>

Conductor cross section, rigid min.	0.2 mm ²
Conductor cross section AWG max.	12
Conductor cross section AWG min.	24
Protocols supported	HART, PROFIBUS DP

Data: HART FSK

Number of connections	3
Connection method	COMBICON
No. of channels	4 (Active/Passive HART devices)
Tightening torque	0.5 Nm ... 0.6 Nm
Connection technology	Screw connection
Conductor cross section flexible max.	2.5 mm ²
Conductor cross section flexible min.	0.2 mm ²
Conductor cross section, rigid max.	2.5 mm ²
Conductor cross section, rigid min.	0.02 mm ²
Conductor cross section AWG max.	12
Conductor cross section AWG min.	24

Dimensions

Dimensional drawing	
Width	22.5 mm
Height	99 mm
Depth	114.5 mm

Material specifications

Color	gray
Housing material	PA V0

Environmental and real-life conditions

Ambient conditions

Degree of protection	IP20
Ambient temperature (operation)	-40 °C ... 85 °C
Ambient temperature (storage/transport)	-40 °C ... 85 °C
Altitude	2000 m
Permissible humidity (operation)	95 % (non-condensing)
Shock	30g, 18 ms
Vibration (operation)	5g, 10 Hz ... 150 Hz

Approvals

GW PL DP/HART - Protocol converter



2316362

<https://www.phoenixcontact.com/us/products/2316362>

Ex data

ATEX	PRESAFE 16ATEX7686X, II 3G, Ex nA IIC T4 Gc
IECEX	IECEX PRE 16.0001X, Ex nA IIC T4 Gc
UL, USA / Canada	Class I, Div. 2, Groups A, B, C, D Class I, Zone 2, AEx nA IIC T4, Ex nA IIC T4 GcX

Mounting

Mounting type	DIN rail: 35 mm
Assembly instructions	on standard DIN rail NS 35 in accordance with EN 60715
Mounting position	On horizontal DIN rail NS 35 in acc. with EN 60715

GW PL DP/HART - Protocol converter

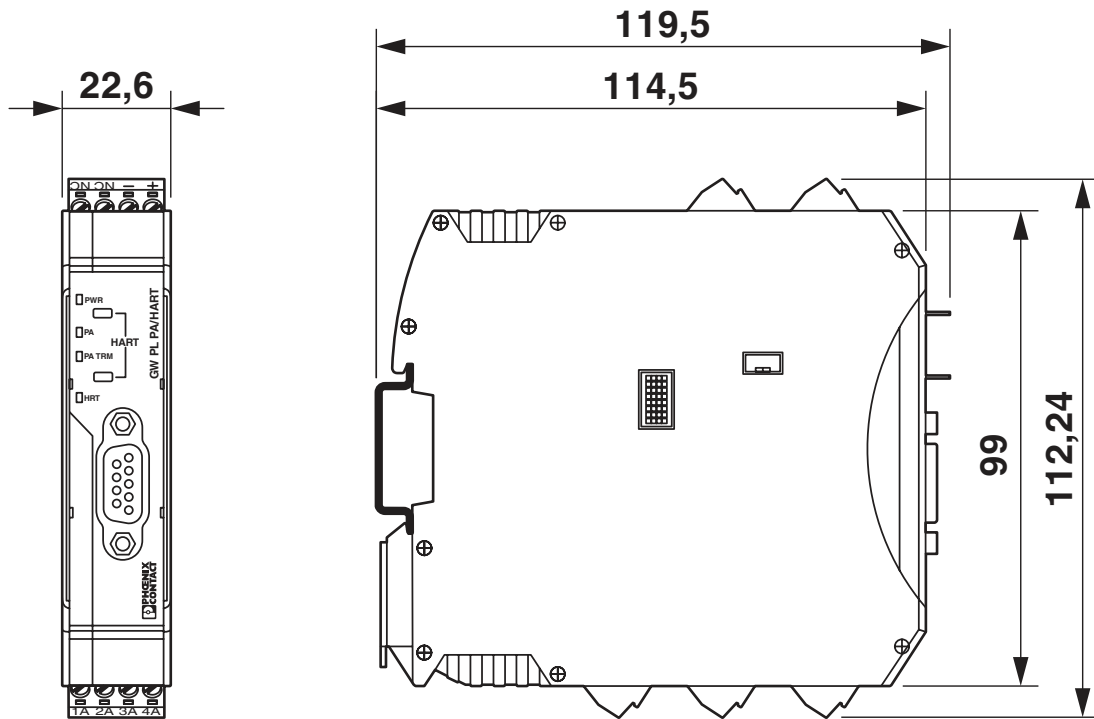


2316362

<https://www.phoenixcontact.com/us/products/2316362>

Drawings

Dimensional drawing



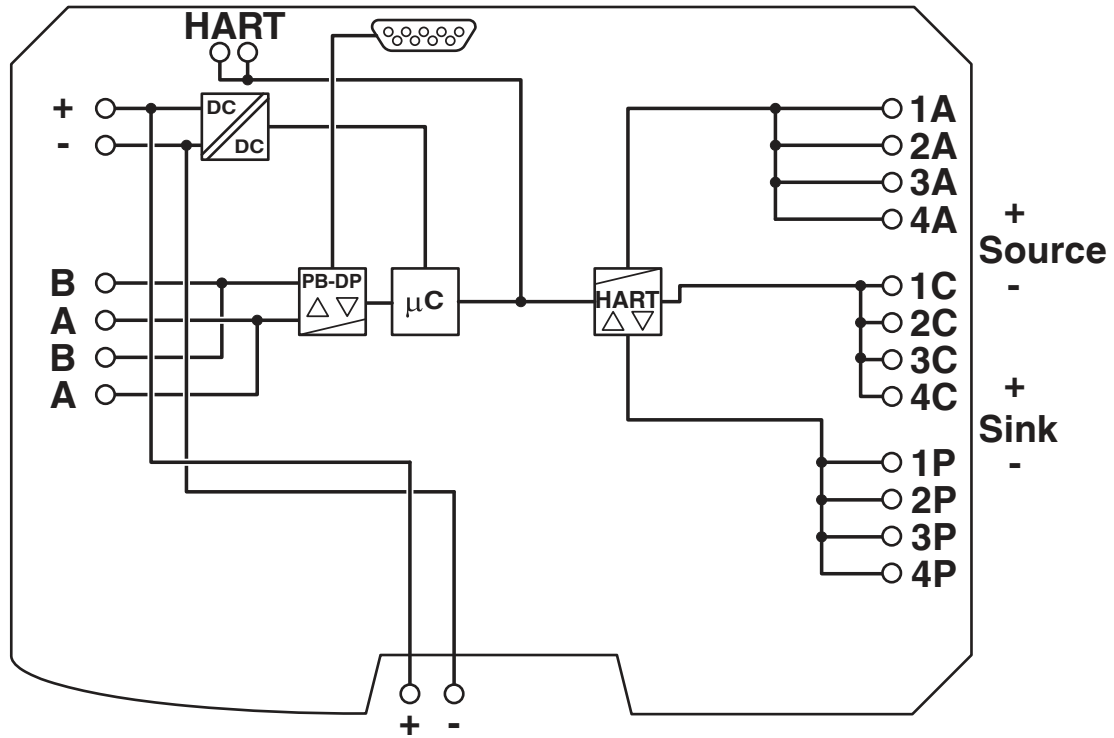
GW PL DP/HART - Protocol converter

2316362

<https://www.phoenixcontact.com/us/products/2316362>



Block diagram



GW PL DP/HART - Protocol converter



2316362

<https://www.phoenixcontact.com/us/products/2316362>

Approvals

To download certificates, visit the product detail page: <https://www.phoenixcontact.com/us/products/2316362>



IECEX

Approval ID: IECEX PRE 16.0001X



cUL Listed

Approval ID: FILE E 199827



UL Listed

Approval ID: FILE E 199827



ATEX

Approval ID: Presafe 16ATEX7686X

cULus Listed

GW PL DP/HART - Protocol converter



2316362

<https://www.phoenixcontact.com/us/products/2316362>

Classifications

ECLASS

ECLASS-11.0	27242208
ECLASS-12.0	27242208
ECLASS-13.0	27242208

ETIM

ETIM 8.0	EC001423
----------	----------

UNSPSC

UNSPSC 21.0	32151700
-------------	----------

GW PL DP/HART - Protocol converter



2316362

<https://www.phoenixcontact.com/us/products/2316362>

Environmental product compliance

China RoHS	Environmentally Friendly Use Period = 50 years For information on hazardous substances, refer to the manufacturer's declaration available under "Downloads"
------------	--

GW PL DP/HART - Protocol converter

2316362

<https://www.phoenixcontact.com/us/products/2316362>



Accessories

ME 22,5 TBUS 1,5/ 5-ST-3,81 GY - DIN rail bus connectors

2201937

<https://www.phoenixcontact.com/us/products/2201937>



DIN rail connector, color: gray, nominal current: 8 A (parallel contacts), rated voltage (III/2): 125 V, number of positions: 5, pitch: 3.81 mm, mounting: DIN rail mounting, locking: without, mounting: without, type of packaging: packed in cardboard, Item with gold-plated contacts, bus connectors for connecting with electronics housings, 5 parallel contacts

SUBCON-PLUS-PROFIB/90/IDC - D-SUB bus connector

2313672

<https://www.phoenixcontact.com/us/products/2313672>



D-SUB connector, 9-pos., male connector, 90° cable entry, bus system: PROFIBUS DP up to 12 Mbps, termination resistor can be switched on via slide switch, pin assignment: 3, 5, 6, 8; IDC terminal block connection

GW PL DP/HART - Protocol converter

2316362

<https://www.phoenixcontact.com/us/products/2316362>



SUBCON-PLUS-PROFIB/90/SC - D-SUB bus connector

2313698

<https://www.phoenixcontact.com/us/products/2313698>



D-SUB connector, 9-pos., male connector, 90° cable entry, bus system: PROFIBUS DP up to 12 Mbps, termination resistor can be switched on via slide switch, pin assignment: 3, 5, 6, 8; screw connection terminal blocks

SUBCON-PLUS-PROFIB/90/PG/SC - D-SUB bus connector

2313708

<https://www.phoenixcontact.com/us/products/2313708>



D-SUB connector, 9-pos., male connector, 90° cable entry, bus system: PROFIBUS DP up to 12 Mbps with PG D-SUB socket for connecting a programming device, termination resistor can be switched on via slide switch, pin assignment: 3, 5, 6, 8; screw connection terminal blocks

Phoenix Contact 2023 © - all rights reserved
<https://www.phoenixcontact.com>

Phoenix Contact USA
586 Fulling Mill Road
Middletown, PA 17057, United States
(+717) 944-1300
info@phoenixcon.com