
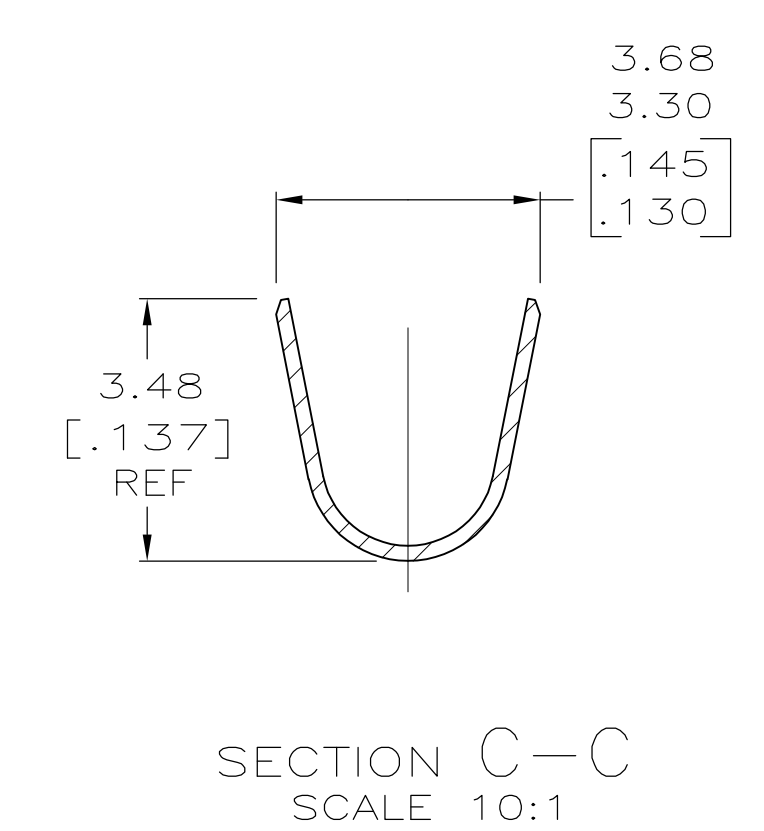
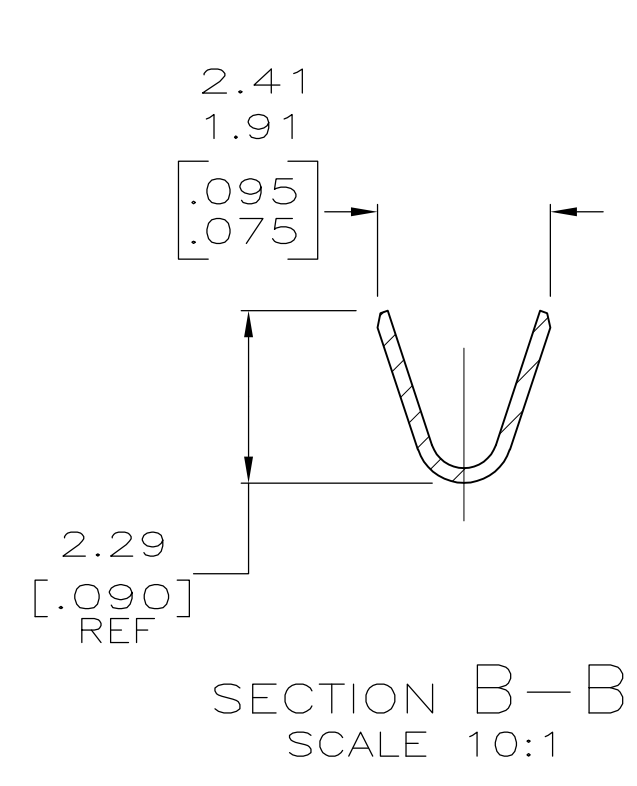
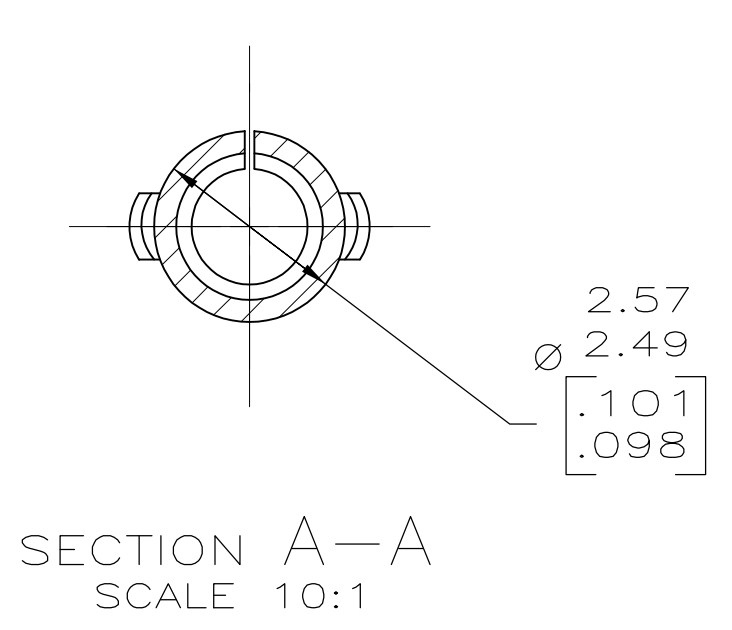
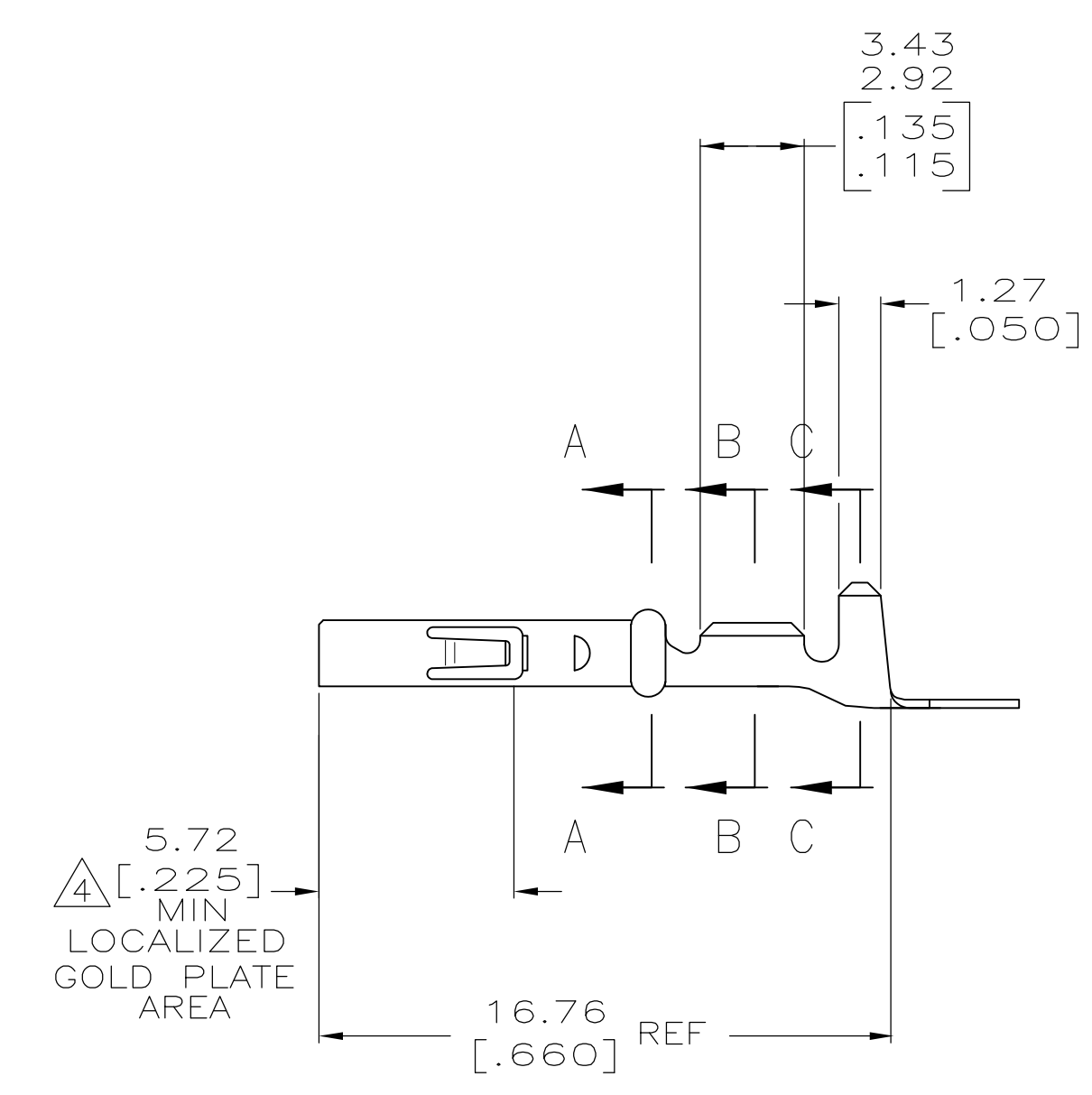
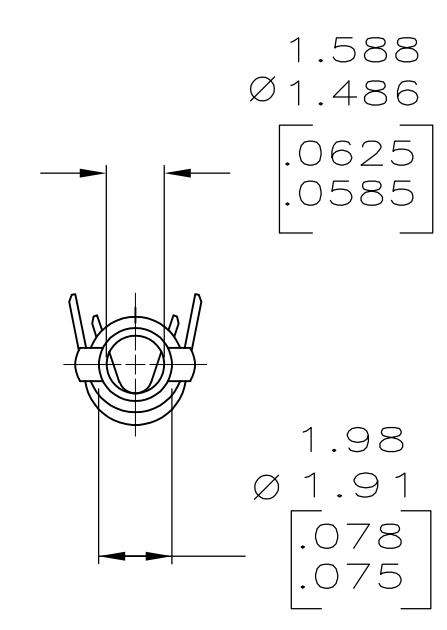
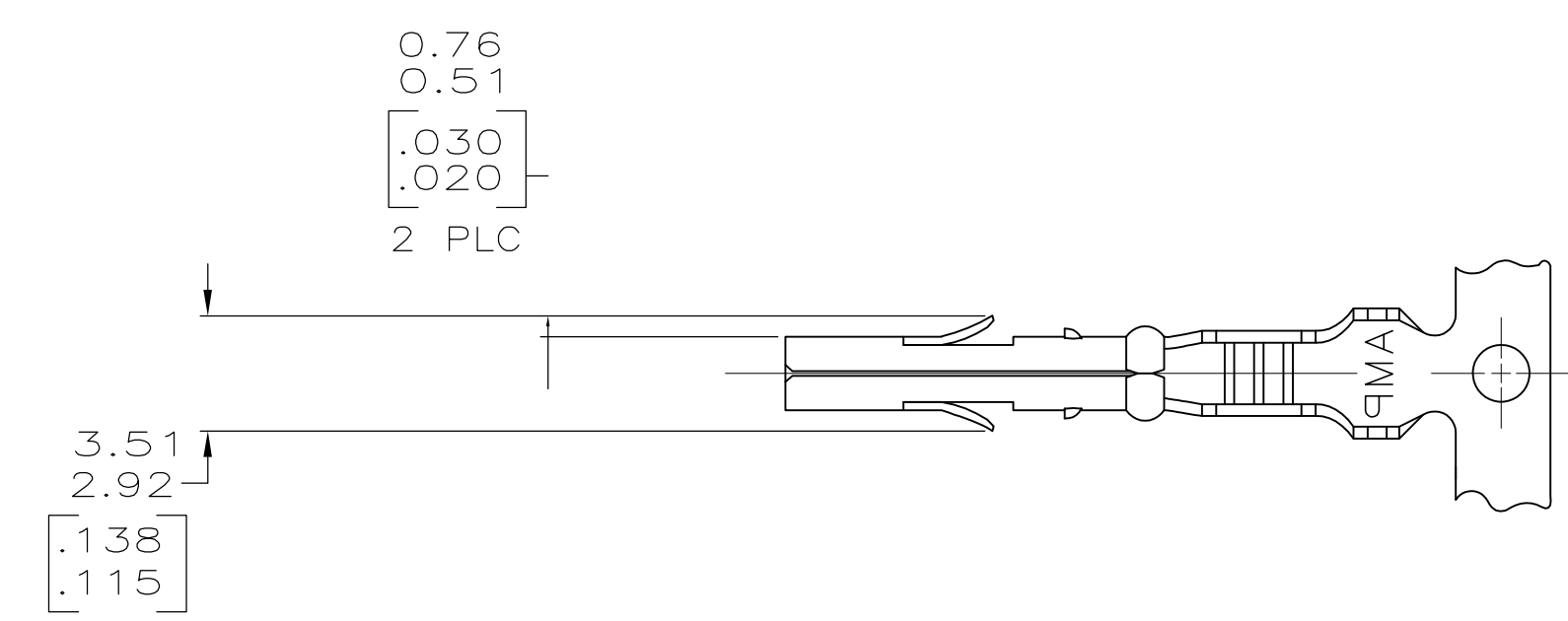



LOC		DIST		REVISIONS			
P	LTR	DESCRIPTION	DATE	DWN	APVD		
E2		REVISED PER ECO-11-004820	11MAR11	RK	HMR		

- 1 WIRE RANGE: 0.12-0.9mm² (26-18 AWG).
- 2 INSULATION RANGE: 1.27-2.92 [.050-.115] MAX. DIA.
- 3 DIMENSIONS IN BRACKETS ARE IN INCHES.
- 4  PLATE INTERNALLY WITH 0.00076 [.000030] MIN GOLD IN THE LOCALIZED GOLD PLATE AREA, GOLD FLASH ON THE REMAINDER, OVER 0.00127 [.000050] MIN NICKEL UNDERPLATE.



 GOLD STRIPE	0.20 [.008] PHOS BRZ	641294-2
PRE-TIN	0.20 [.008] PHOS BRZ	641294-1
FINISH	MATERIAL	PART NO

THIS DRAWING IS A CONTROLLED DOCUMENT.		DIN 9-28-94 K. SALMON		TE Connectivity	
DIMENSIONS: mm [INCHES]		TOLERANCES UNLESS OTHERWISE SPECIFIED:		APVD R. SWING	
0 PLC ± -		1 PLC ± -		PRODUCT SPEC	
2 PLC ± -		3 PLC ± 0.13 [.005]		APPLICATION SPEC	
4 PLC ± -		ANGLES ± -		SIZE CASE CODE DRAWING NO	
MATERIAL SEE TABLE		FINISH SEE TABLE		WEIGHT	
				A1 00779 C=641294	
				CUSTOMER DRAWING SCALE 5:1 SHEET 1 OF 1 REV E2	

METRIC