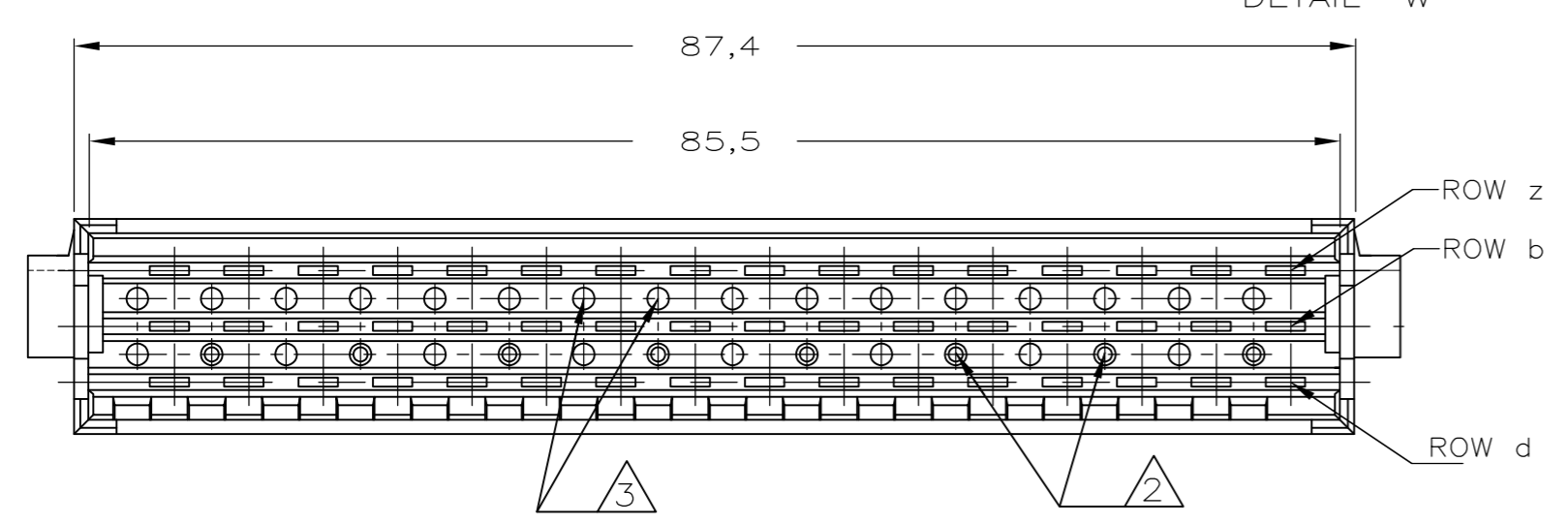
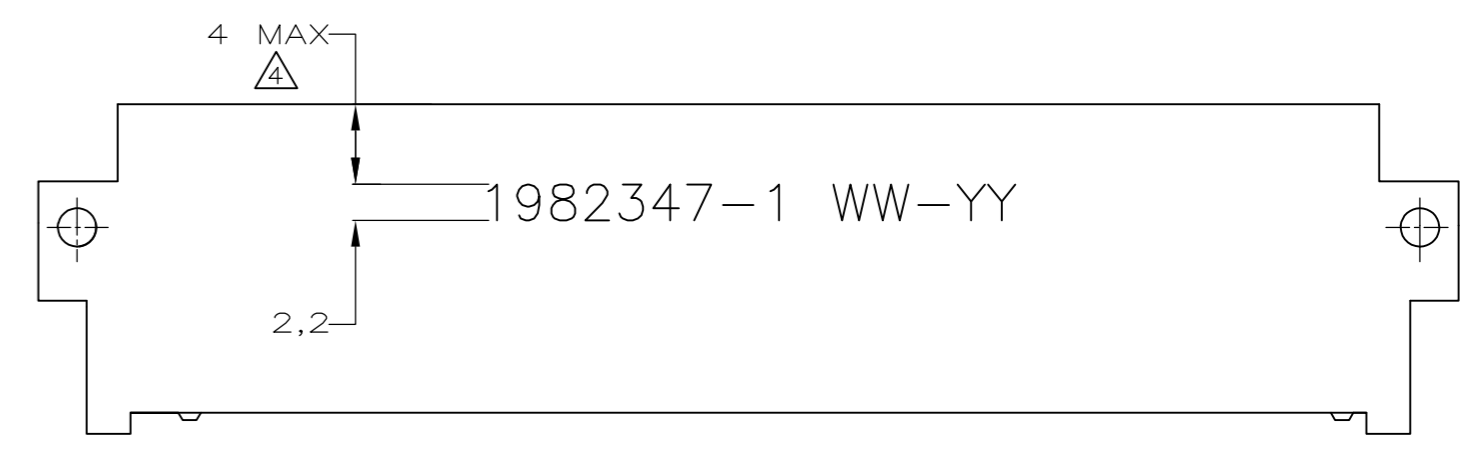
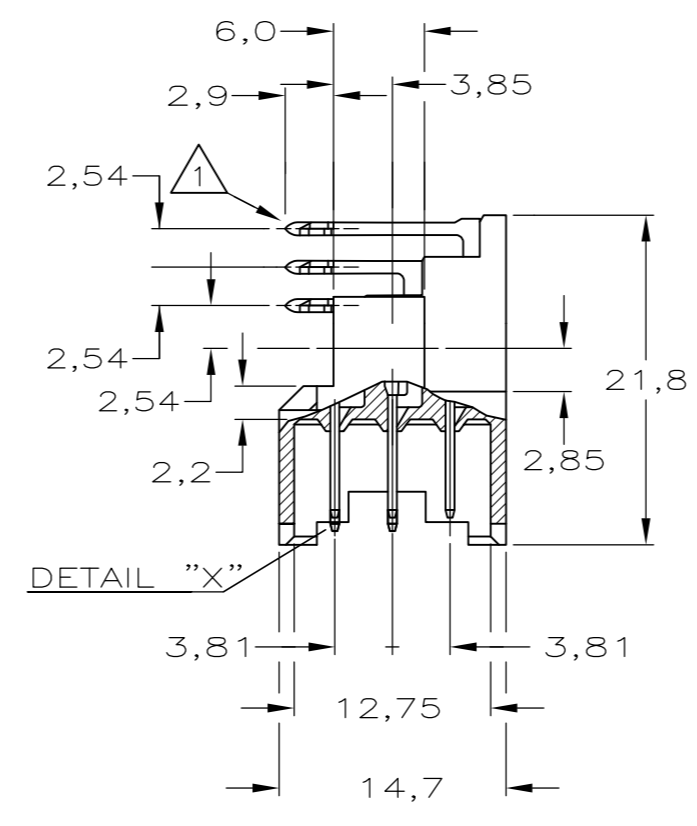
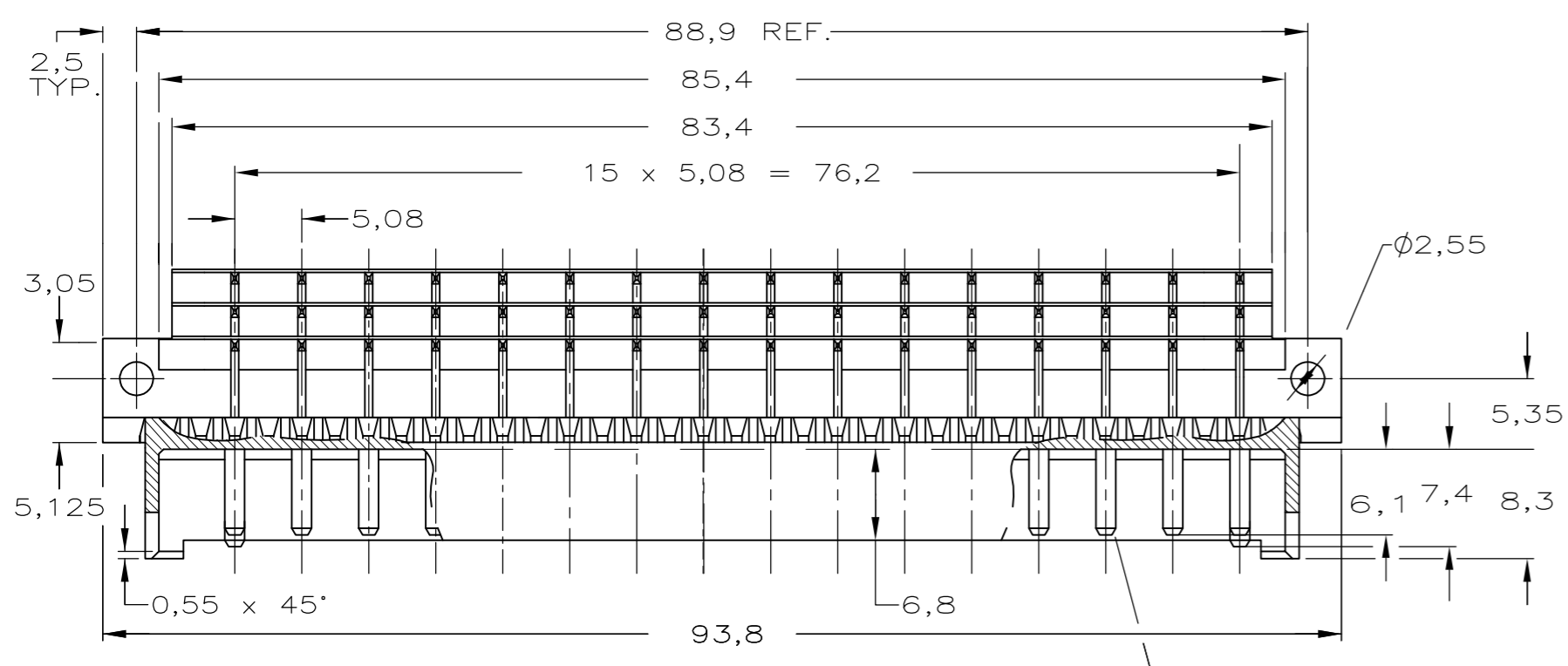


THIS DRAWING IS UNPUBLISHED. RELEASED FOR PUBLICATION
 © COPYRIGHT BY TYCO ELECTRONICS CORPORATION. ALL INTERNATIONAL RIGHTS RESERVED.

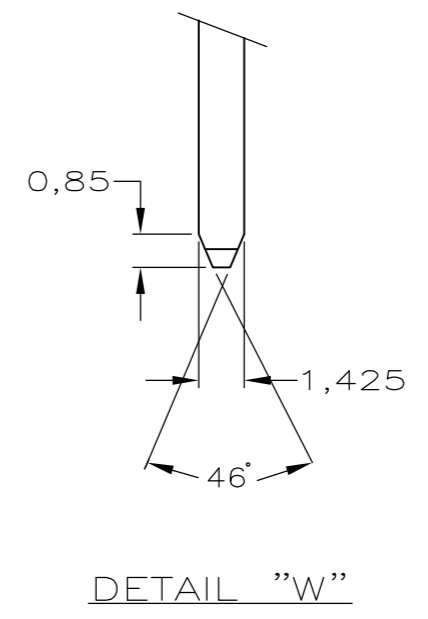
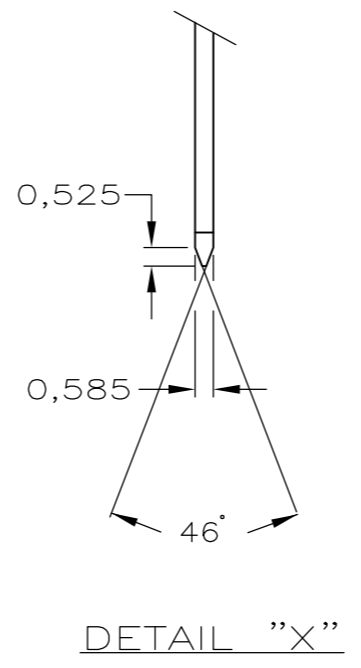
LOC	DIST	REVISIONS					
		P	LTR	DESCRIPTION	DATE	DWN	APVD
H	-	A		FIRST ISSUE	06-02-07	MK	BM
		B		ECR-08-009415	24-04-08	AEG	MKO
		C		ECR-09-006351	21-08-09	AEG	MKO



CONTACT No.	2	4	6	8	10	12	14	16	18	20	22	24	26	28	30	32
F 48 ROW z	⊗	x	x	x	x	x	x	x	x	x	x	x	x	x	x	x
F 48 ROW b	⊗	x	x	x	x	x	x	x	x	x	x	x	x	x	x	⊗
F 48 ROW d	x	x	x	x	x	x	x	x	x	x	x	x	x	x	x	x

AN ASTERISK „X” DENOTES A STAND. CONTACT.
 AN ASTERISK „⊗” DENOTES A FIRST-MAKE-LAST-BREAK CONTACT.

- NOTES:
- ① ACTION-PIN AREA SUITABLE FOR P.C.B.-THICKNESS 1,6 mm.
 - ② 8 KEYING HOLES SUITABLE FOR KEYING PINS.
 - ③ KEYING HOLES CAN BE DRILLED BY CUSTOMER.
 - ④ PARTNUMBER AND DATECODE PRINTED IN BLACK.



P.C.B. HOLE DIM. ACTION PIN

DRILLED HOLE	: 1,15 ± 0,025 mm
FIN. HOLE	: 0,94 to 1,09 mm
AFTER REFLOW	: 0,91 to 1,09 mm
Cu-thks	: 0,025 to 0,075 mm
SnPb-thks	: 0,004 to 0,010 mm

THIS DRAWING IS A CONTROLLED DOCUMENT.

DIMENSIONS:	TOLERANCES UNLESS OTHERWISE SPECIFIED:
mm	0 PLC ± -
	1 PLC ± -
	2 PLC ± -
	3 PLC ± -
	4 PLC ± -
	ANGLES ± -
MATERIAL	FINISH
-	-

AT CONT.AREA: 1,25 µm Au OVER 1,25 µm Ni. AT POST AREA: 2,5 µm Sn OVER 1,25 µm Ni.	HOUSING: GLASSFILLED POLYESTER(GREY) CONTACTS: PHOSPHORBRONZE	1982347-1
FINISH	MATERIAL	PARTNUMBER
DWN M.KOMAR 06FEB07 CHK B.MOOIJ 06FEB07 APVD J.BROEKSTEEG 06FEB07	Tyco Electronics Corporation 's-Hertogenbosch, Nederland	
PRODUCT SPEC	NAME	
APPLICATION SPEC	48 POS. DIN 41612 F MALE 90 deg ACTION PIN CONNECTOR WITH FMLB CONTACTS	
WEIGHT	SIZE A2	CAGE CODE 00779
CUSTOMER DRAWING	DRAWING NO. C=1982347	RESTRICTED TO
SCALE NTS	SHEET 1 of 1	REV C