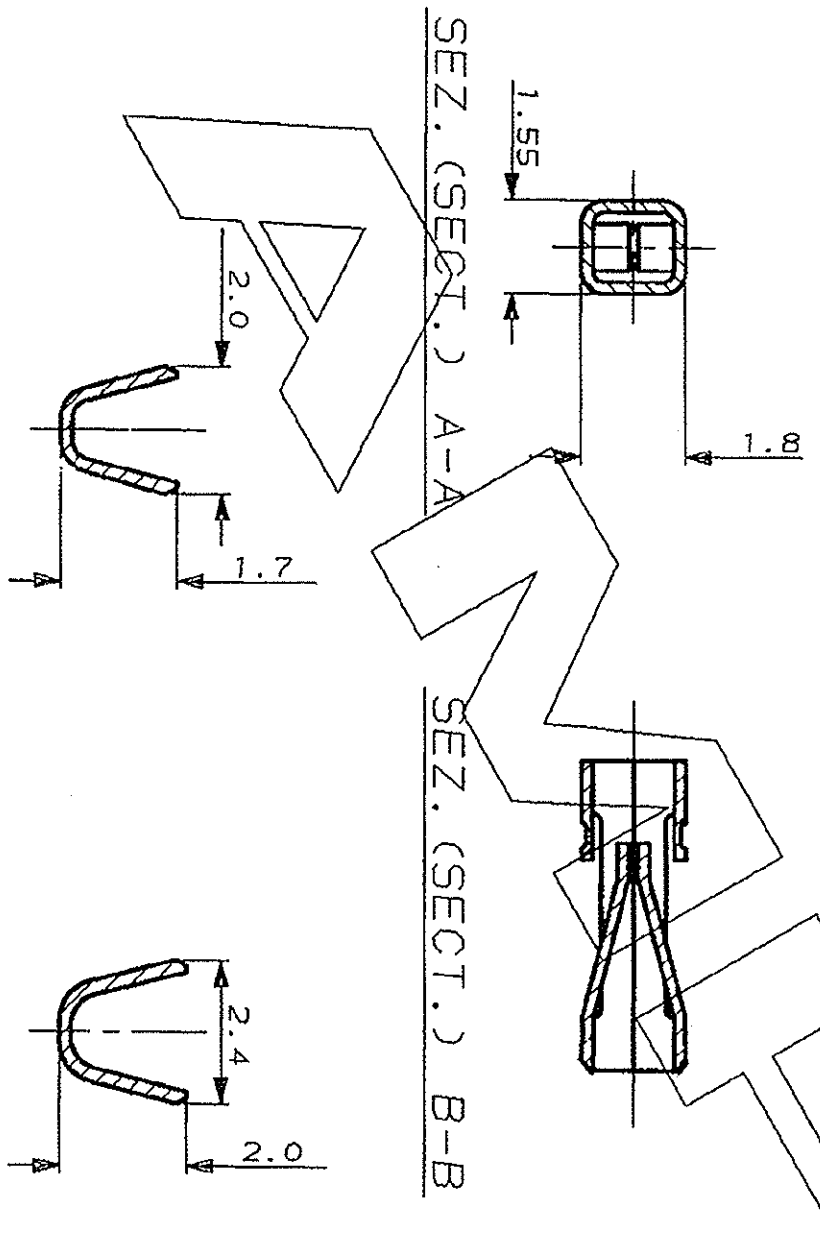


NOTE (NOTES)

1. MATERIALE (MATL.): BRONZO FOSFOROSO (PHOSPHOR BRONZE).
2. FINITURA (FINISH): DORATO 0.8µM NELL'AREA DI CONTATTO E FLASH DI ORO SUL RESTO ECCETTO LE ZONE TRANDATE, SU 1.3µM DI NI. (GOLD PLATED 0.8µM IN CONTACT AREA AND GOLD FLASH ON REMAINDER EXCEPT FOR SUTTING EDGES, OVER 1.3µM NICKEL).
3. PER MINI-APPLICATORE (FOR MINI-APPLICATOR) P/N 783541-1 & -2.
4. PER UTENSILE A MANO (FOR HAND TOOL) P/N 783560-1.
5. LA PORTATA MASSIMA DI CORRENTE RISULTA ESSERE 3A, LIMITE DOWTO ALLA MATING PART. (CURRENT CAPACITY IS 3A MAX. DUE TO MATING PART.)
6. P. N. OBSOLETE



NOTE (NOTES)	1 & 2	6	182913-1	281999-1
MATERIALE E FINITURA, MATL. & FINISH	LOOSE-PIECE PART NUMBER:	STRIP PART NUMBER:		
	NOTA (NOTE) 4	NOTA (NOTE) 3		

CUSTOMER DRAWING
FOR REFERENCE ONLY

DISSEGNO PER CLIENTE
SOLO PER RIFERIMENTO

THIS DRAWING IS UNPUBLISHED. RELEASE FOR PUBLICATION

© COPYRIGHT 1989 BY AMP INCORPORATED, HARTFORD, PA. ALL INTERNATIONAL RIGHTS RESERVED. AMP PRODUCTS MAY BE COVERED BY U.S. AND FOREIGN PATENT AND/OR PENDING PATENTS. TOLLERANZE: SE NON DIVERSA, UNLESS OTHERWISE SPECIFIED

DIM. ISOLANTE (INS. DIA. RANGE) 1.6 MM MAX. (RANGE FILED) 0.2-0.5 MM² (24-20 AWG) SCALE

AMP

AMP ITALIA S.p.A.
CORNO F.lli CARVI, 15
COLLENO (TORINO)

REV. A	RELEASSED	12/89	DIS. DATA (REV. DATE)	APP. (APP.)	REV. (REV.)
B	AGGIUNTI MARCHI TRADEMARK ADDED	7-81	CONTR. R. CANTORE (CONTR. R. CANTORE)		
C	AGGIUNTA NOTA (S) (ADDED NOTE (S))	C.C. 5-92			
D	OBSOLETE P. N. 182913-1				
E	FATTO SUOCCO (S) (MADE BY SOLDERING)				
	ADD. D. CHIAVIERE (S) (ADDED KEY)				
	REV. PER E. 100-0014-94				