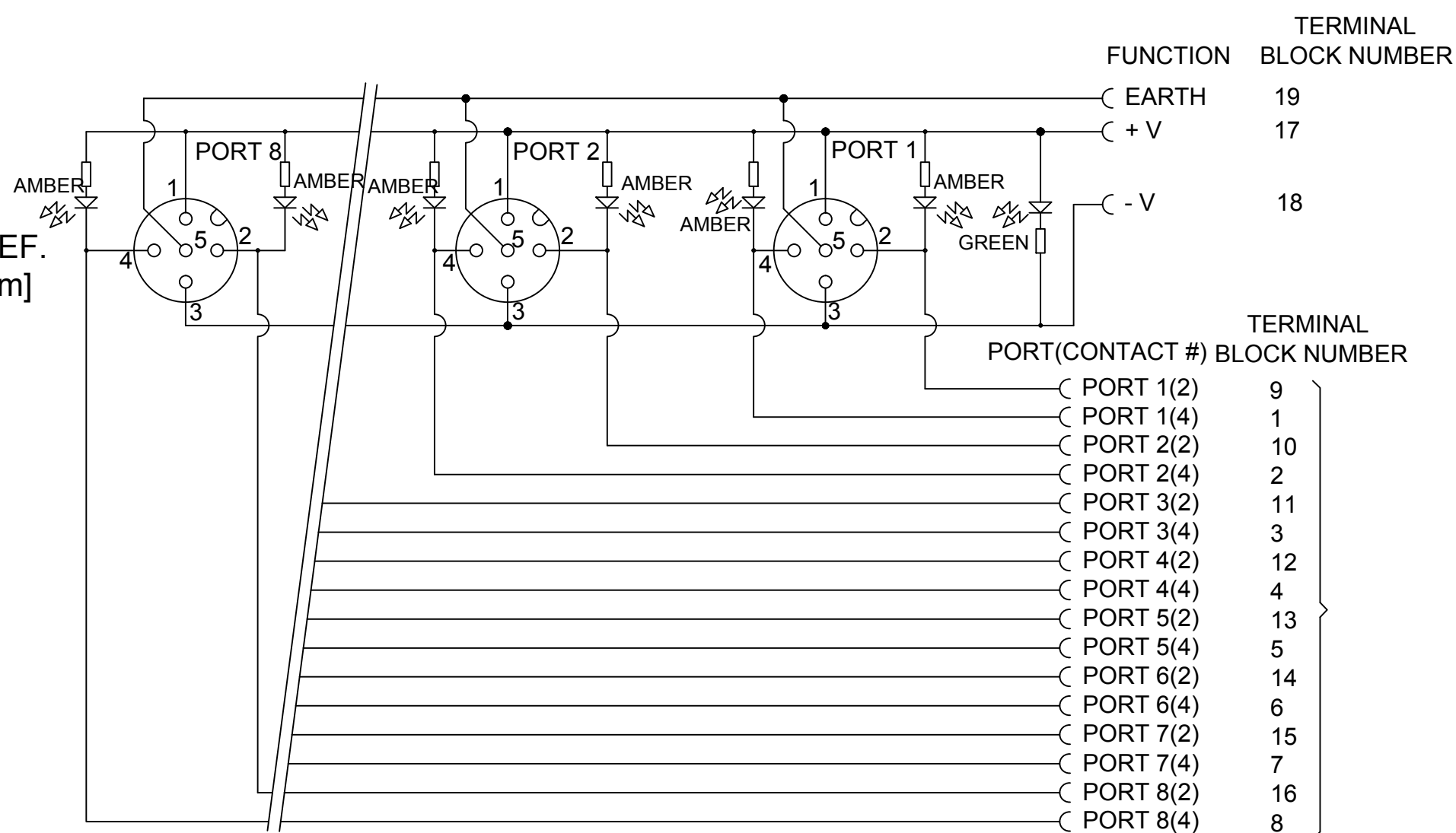
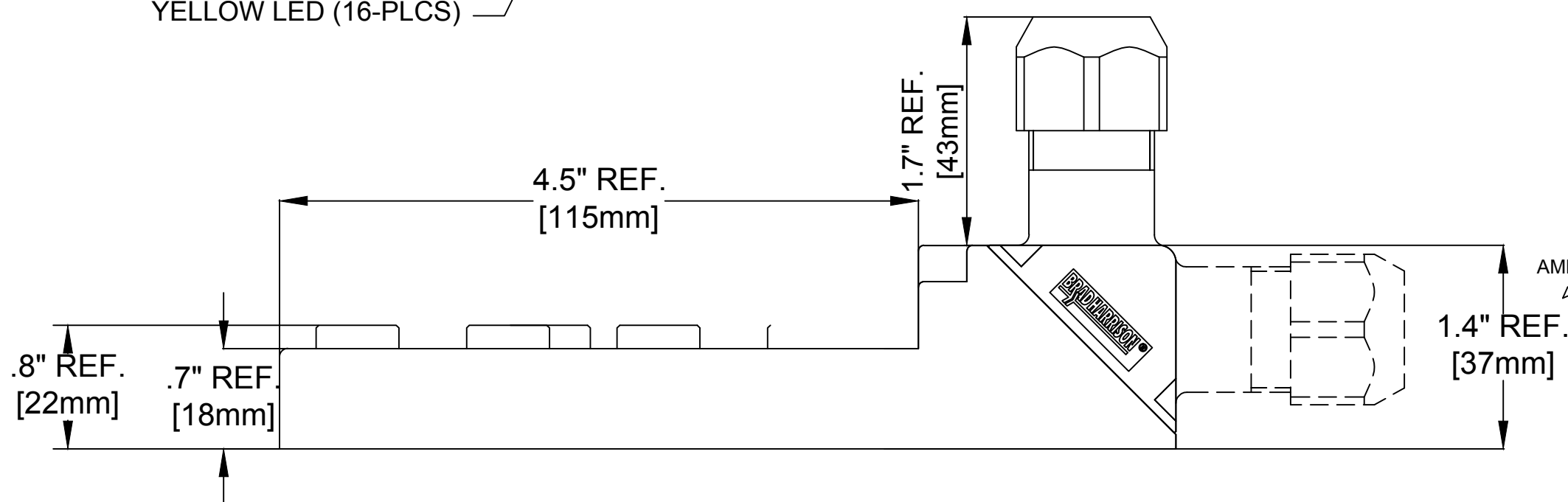
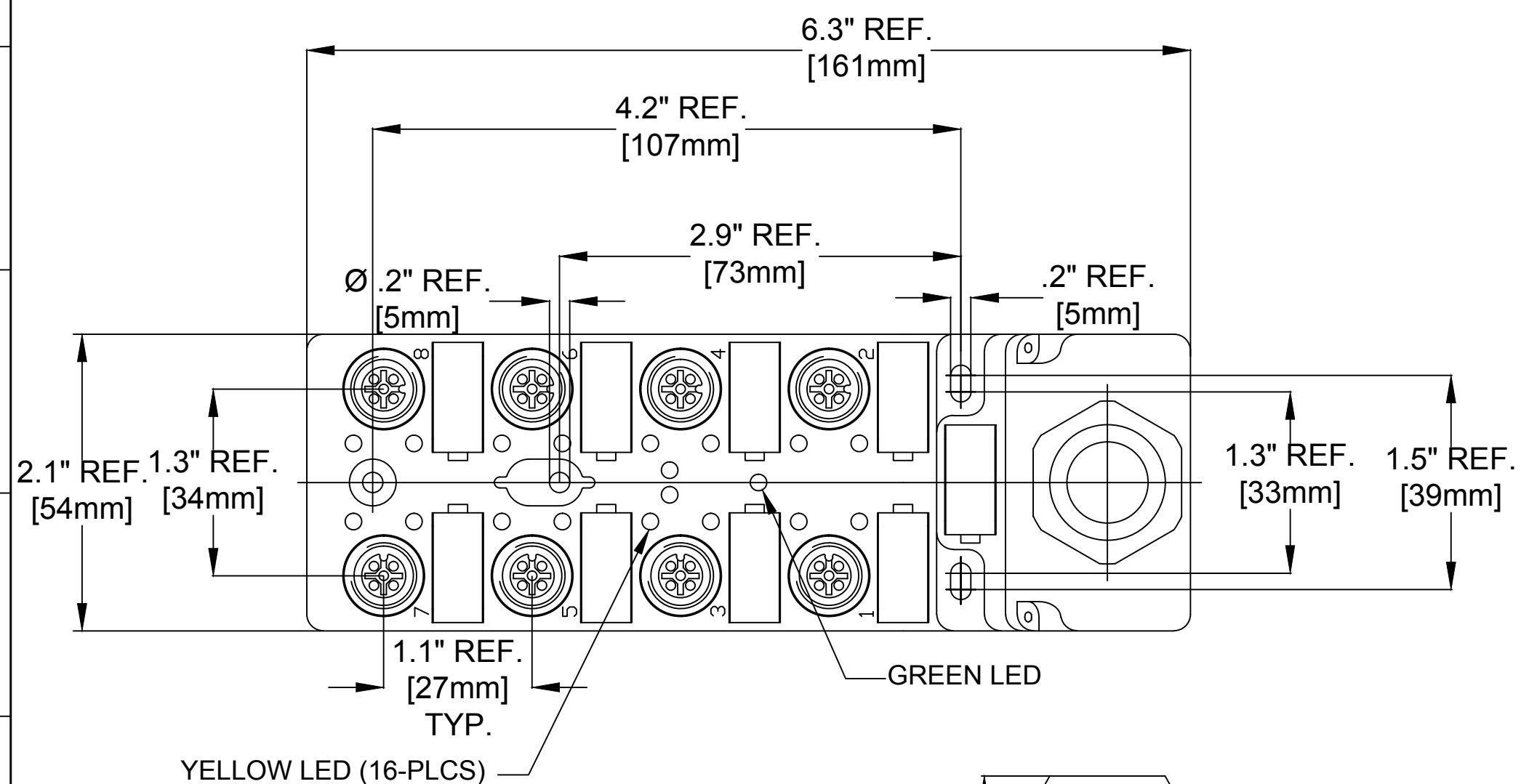


MATERIAL NUMBER	OLD PART NUMBER
1200550672	BTY803N-FBA



FUNCTION	TERMINAL BLOCK NUMBER
EARTH	19
+V	17
-V	18

PORT (CONTACT #)	TERMINAL BLOCK NUMBER
PORT 1(2)	9
PORT 1(4)	1
PORT 2(2)	10
PORT 2(4)	2
PORT 3(2)	11
PORT 3(4)	3
PORT 4(2)	12
PORT 4(4)	4
PORT 5(2)	13
PORT 5(4)	5
PORT 6(2)	14
PORT 6(4)	6
PORT 7(2)	15
PORT 7(4)	7
PORT 8(2)	16
PORT 8(4)	8

CONTACT:	GOLD/NICKEL OVER COPPER ALLOY
□-RING:	FPM, RED
HOUSING:	PBT, YELLOW
VOLTAGE RATING:	10-30V DC MAX
AMPERAGE RATING:	MODULE-12A MAX PORT-4A MAX
PROTECTION:	IP67
OPERATING TEMPERATURE:	-5°C TO 80°C

RELEASE EC NO: ICG2014-0871 DRWN: GGUSTAFS 2013/11/13 CHKD: BARDEN APPR: BWOODMAN 2013/11/20	QUALITY SYMBOL	▽=0
		∇=0
	DESCRIPTION	
	REV	
A		

GENERAL TOLERANCES (UNLESS SPECIFIED)	
	mm INCH
4 PLACES	±--- ±---
3 PLACES	±--- ±.005
2 PLACES	±0.13 ±.010
1 PLACE	±0.25 ±.020
ANGULAR ±.5°	
DRAFT WHERE APPLICABLE MUST REMAIN WITHIN DIMENSIONS	

DIMENSION STYLE	
IN/MM	
DRAWN BY	DATE
GGUSTAFS	2013/11/13
CHECKED BY	DATE
BARDEN	2013/11/21
APPROVED BY	DATE
BWOODMAN	2013/11/20
MATERIAL NO.	SEE CHART
SIZE	C

SCALE	DESIGN UNITS	THIRD ANGLE PROJECTION	
NTS	INCH		
<b>MICRO-CHANGE MPIS 8 PORT PNP TWIN PORT SP FILE ATTACHABLE</b>			
		<b>MOLEX INCORPORATED</b>	
MATERIAL NO.	DOCUMENT NO.	SHEET NO.	
SEE CHART	SD-120055-010	1 OF 1	
THIS DRAWING CONTAINS INFORMATION THAT IS PROPRIETARY TO MOLEX INCORPORATED AND SHOULD NOT BE USED WITHOUT WRITTEN PERMISSION			