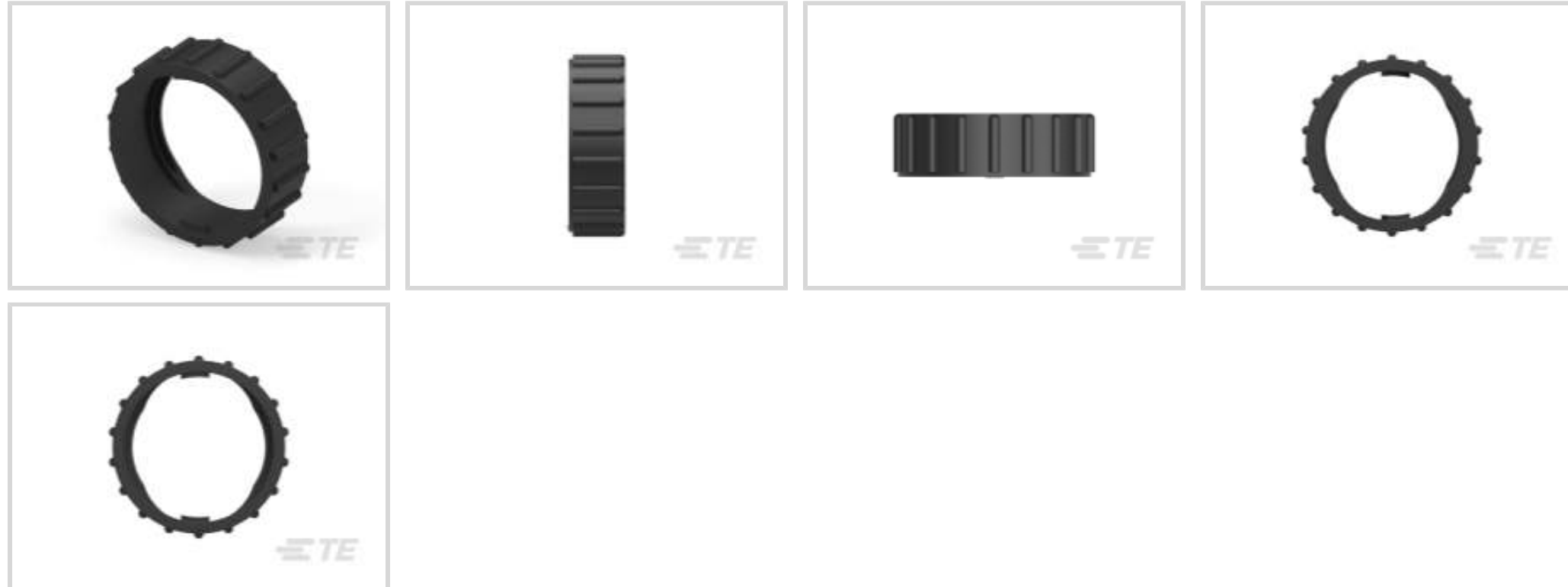




Connectors > Circular Connectors > Circular Connector Accessories > Circular Connector Adapters > CPC Accessories



Compatible With Connector Shell Size: 23

[All CPC Accessories \(4\)](#)

## Features

### Product Type Features

Protection & Strain Relief Accessory Type	Coupling Ring
---	---------------

### Body Features

Primary Product Material	Polyester
Primary Product Color	Black

### Operation/Application

Compatible With Connector Shell Size	23
--------------------------------------	----

### Packaging Features

Packaging Quantity	1
--------------------	---

## Product Compliance

[For compliance documentation, visit the product page on TE.com>](#)

EU RoHS Directive 2011/65/EU	Compliant
EU ELV Directive 2000/53/EC	Compliant
China RoHS 2 Directive MIIT Order No 32, 2016	No Restricted Materials Above Threshold
EU REACH Regulation (EC) No. 1907/2006	Current ECHA Candidate List: JUNE 2023 (235) Candidate List Declared Against: JUNE 2023 (235)

Does not contain REACH SVHC

Halogen Content

Not Low Halogen - contains Br or Cl > 900 ppm.

Solder Process Capability

Not applicable for solder process capability

Product Compliance Disclaimer

This information is provided based on reasonable inquiry of our suppliers and represents our current actual knowledge based on the information they provided. This information is subject to change. The part numbers that TE has identified as EU RoHS compliant have a maximum concentration of 0.1% by weight in homogenous materials for lead, hexavalent chromium, mercury, PBB, PBDE, DBP, BBP, DEHP, DIBP, and 0.01% for cadmium, or qualify for an exemption to these limits as defined in the Annexes of Directive 2011/65/EU (RoHS2). Finished electrical and electronic equipment products will be CE marked as required by Directive 2011/65/EU. Components may not be CE marked. Additionally, the part numbers that TE has identified as EU ELV compliant have a maximum concentration of 0.1% by weight in homogenous materials for lead, hexavalent chromium, and mercury, and 0.01% for cadmium, or qualify for an exemption to these limits as defined in the Annexes of Directive 2000/53/EC (ELV). Regarding the REACH Regulation, the information TE provides on SVHC in articles for this part number is based on the latest European Chemicals Agency (ECHA) 'Guidance on requirements for substances in articles' posted at this URL: <https://echa.europa.eu/guidance-documents/guidance-on-reach>

## Compatible Parts



TE Part # CAT-AM71-C83998BB  
CPC SERIES 3



TE Part # CAT-AM71-C83998M  
CPC Connectors, Series 2



TE Part # CAT-AM71-C83998CC  
CPC Connector Housing, Series 4



TE Part # CAT-AM71-C83998J  
Cable/Panel Mount Connector, CPC Series 1



TE Part # CAT-AM71-C83998K  
Circular Connector, Environmentally Sealed, CPC Series 6



TE Part # CAT-AM71-C83998Y  
One-Piece Connector, Sealed, CPC Series 1

## Also in the Series | AMP CPC



Circular Connector Adapters(7)



Circular Connector Caps & Covers(16)



Circular Connector Hardware(3)



Circular Connector Keying Plugs(2)



Circular Power Connectors(459)



Connector Backshells(56)



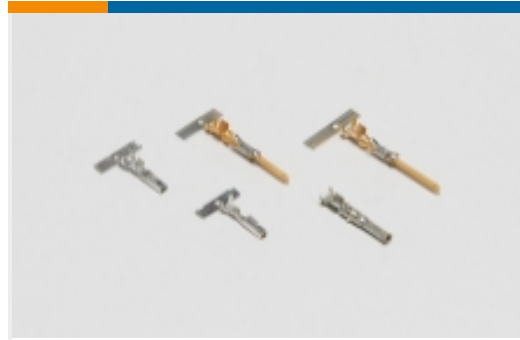
Connector Seals & Cavity Plugs(36)



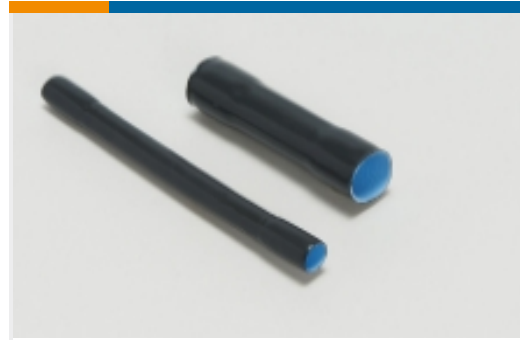
Connector Strain Relief(6)



Insertion & Extraction Tools(1)



Power Contacts(6)

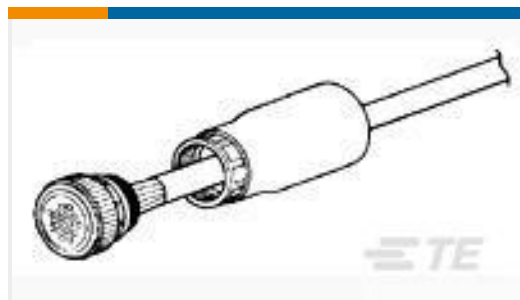


Sealing Sleeves(2)

## Customers Also Bought



TE Part #206207-1  
17-3 RECEPT. FREE-HANGING



TE Part #54012-1  
CPC STRAIN RELIEF,SIZE 23



TE Part #206151-1  
Cable/Panel Mount Connector, CPC Series 1



TE Part #206150-1  
CPC PLUG ASSEMBLY SIZE 23-37



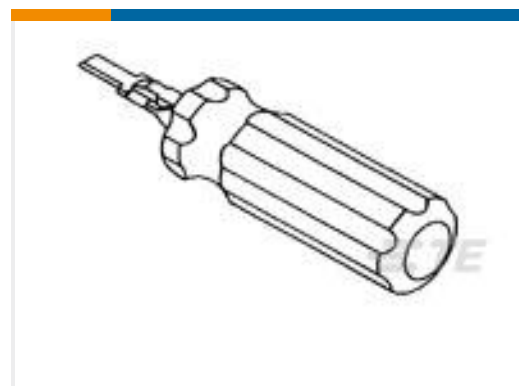
TE Part #66106-8  
Strip Pin and Socket Contacts, Type III



TE Part #66261-1  
MALE CONTACT ASSY. (LP.)



TE Part #1423675-9  
W57-XB7A4A10-15=CKTBKR,THERM,P



TE Part #91019-3  
EXTRACTION TOOL

## Documents

### Product Drawings

[COUPLING RING,SZ 23,CPC](#)

English

### CAD Files

[3D PDF](#)

[3D](#)

[Customer View Model](#)

[ENG\\_CVM\\_CVM\\_213812-1\\_V.2d\\_dxf.zip](#)



English

Customer View Model

[ENG\\_CVM\\_CVM\\_213812-1\\_V.3d\\_igs.zip](#)

English

Customer View Model

[ENG\\_CVM\\_CVM\\_213812-1\\_V.3d\\_stp.zip](#)

English

[3D PDF](#)

English

Customer View Model

[ENG\\_CVM\\_213812-1\\_E.2d\\_dxf.zip](#)

English

Customer View Model

[ENG\\_CVM\\_213812-1\\_E.3d\\_igs.zip](#)

English

Customer View Model

[ENG\\_CVM\\_213812-1\\_E.3d\\_stp.zip](#)

English

By downloading the CAD file I accept and agree to the [Terms and Conditions](#) of use.

---

### Datasheets & Catalog Pages

[AMP Circular Connectors for Commercial Signal & Power Applications](#)

English

---

### Product Specifications

[Application Specification](#)

English

---

### Instruction Sheets

[Instruction Sheet \(U.S.\)](#)

English