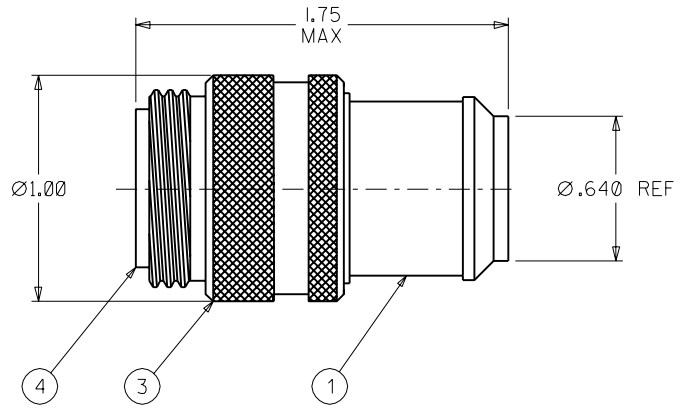
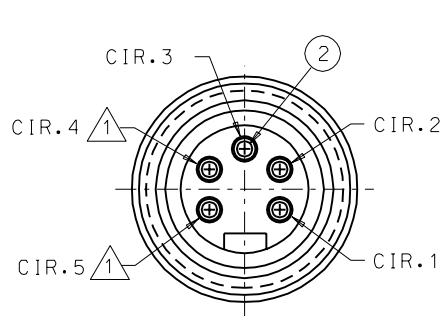


REV	DATE	ECN NO.	APPVD BY	REL BY
A	1-8-01	UM2001-0196 PROD. REL.		



4	1	INSERT, PIN, 5/C	PVC/COLOR:YELLOW
3	1	CPLG. RING, EXT. THDS.	BRASS/BLACK ANODIZE
2	5	CONTACT, PIN	CU ALLOY/GOLD PLATED
1	A/R	OVERMOLD	PVC/COLOR:BLUE
ITEM	QTY	DESCRIPTION	MATERIAL/FINISH

△ 1 121 OHM ±1% RESISTANCE FROM CIRCUIT 4 TO 5.

NOTES: UNLESS OTHERWISE SPECIFIED

QUALITY SYMBOLS MAJOR = CRITICAL = SPC =	UNLESS SPECIFIED: ALL DIMENSIONS IN INCHES GENERAL TOLERANCES: 3 PLACE ±.005 2 PLACE ±.01 ANGULAR ±2°	SCALE 2:1 DWG SIZE B DRAWN BY & DATE GF 1-8-01 CHECKED BY & DATE APPROVED BY & DATE	THIRD ANGLE PROJECTION REVISE ON CAD ONLY TITLE: MINI-C, TERMINATING PLUG, MALE, BLUE MOLEX INCORPORATED Orange, CA 92868 PART NO. 848499000 DRAWING NO. SD-84849-9000 SHEET NO. 1 OF 1
	Ufi-Mate CAGE CODE 58967	THIS DRAWING CONTAINS INFORMATION THAT IS PROPRIETARY TO MOLEX INCORPORATED AND SHOULD NOT BE USED WITHOUT WRITTEN PERMISSION.	