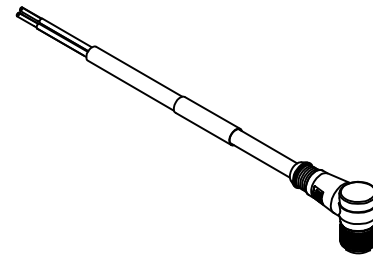


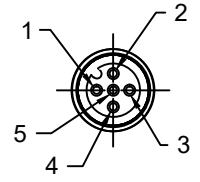
MATERIAL NUMBER	ENGINEERING NUMBER	FINISHED LENGTH
1300270075	DND30A-M010	1M [3FT 3 IN]
1300270077	DND30A-M030	3M [9FT 10 IN]
1300270079	DND30A-M050	5M [16FT 5 IN]

**PART NUMBER LEGEND**  
**DND30A-M010**

FINISHED LENGTH:  
M005 = 0.5 METER  
M010 = 1 METER  
M100 = 10 METER



**FEMALE- FACE VIEW**

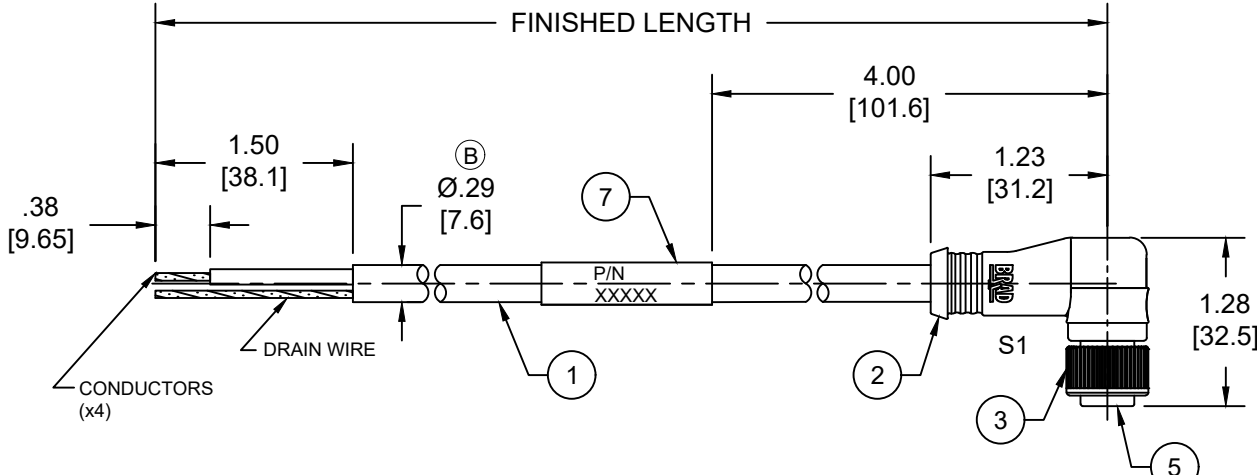


**CABLE LENGTH TOLERANCES**

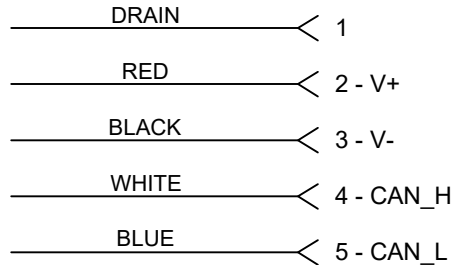
<.3M [1FT]: +19mm-0 [+ .75in-0]
.3 - .9M [1 - 3FT]: +44.5mm-0 [+1.75in-0]
.9 - 1.8M [3 - 6FT]: +55.6mm-0 [+2.19in-0]
1.8 - 3.7M [6 - 12FT]: +88.9mm-0 [+3.50in-0]
3.7 - 7.3M [12 - 24FT]: +165.1mm-0 [+6.50in-0]
7.3-14.6M [24 - 48FT]: +317.5mm-0 [+12.50in-0]
14.6 - 30.5M [48-100FT]: +622.3mm-0 [+24.50in-0]
OVER 30M [100FT] +2% OF FINISHED LENGTH

**NOTES:**

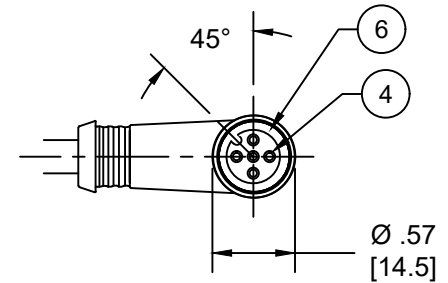
- MATERIAL: AS NOTED
- FINISH: AS NOTED
- ELECTRICAL:  
VOLTAGE: 250V AC/DC  
CURRENT: 4 AMPS
- TEMP RATING: -20°C TO +80°C
- PROTECTION: IP67 (WHEN MATED)
- COUPLNG THREAD: M12 X 1
- UL LISTED FILE: E152210  
CSA CERTIFIED FILE: LR6837
- ALL DIMENSIONS ARE FOR REFERENCE UNLESS TOLERANCED OR NOTED OTHERWISE



**SCHEMATIC**



**S1**



**FEMALE- FACE VIEW**

7	WRAP LABEL	VINYL	BLACK/YELLOW
6	O-RING	NITRILE	RED
5	INSERT	NYLON	BLACK
4	SOCKET CONTACT	COPPER ALLOY	GOLD OVER NICKEL
3	COUPLNG NUT	ZINC DIE CAST	BLACK E-COATED
2	OVERMOLD	TPC	GRAY
1	CABLE #22 AWG, DEVICENET	PVC JACKET	GRAY
ITEM	COMPONENT	MATERIAL	FINISH

THIS DRAWING CONTAINS INFORMATION THAT IS PROPRIETARY TO MOLEX ELECTRONIC TECHNOLOGIES, LLC AND SHOULD NOT BE USED WITHOUT WRITTEN PERMISSION									
FUNCTIONAL SYMBOLS	DIMENSION UNITS	SCALE	CURRENT REV DESC: ITEM #2 WAS PVC & ITEM #7 WAS PLASTIC FILM. ADDED UL, CSA, O-RING, CABLE DIA, PN LEGEND & TOL CHART. MODIFIED PN TABLE						
	INCH/MM	NTS							
DIVISIONAL SYMBOLS	GENERAL TOLERANCES (UNLESS SPECIFIED)								
		mm	INCH						
	4 PLACES	±----	±----						
	3 PLACES	±----	±----						
	2 PLACES	±----	±----						
	1 PLACE	±----	±----						
	0 PLACES	±----	±----						
	ANGULAR TOL ± ---- °								
DRAFT WHERE APPLICABLE MUST REMAIN WITHIN DIMENSIONS			THIRD ANGLE PROJECTION	DRAWING	SERIES	MATERIAL NUMBER	CUSTOMER	SHEET NUMBER	
				A-SIZE	130027	SEE CHART	GENERAL MARKET	1 OF 1	
			EC NO: 704134		2021/06/01				
			DRWN: ABENJAMINLW		2022/04/27				
			CHK'D: RSTONE		2022/05/04				
			APPR: BWOODMAN		2022/05/04				
			INITIAL REVISION:						
			DRWN: VOU		2009/07/31				
			APPR: JFMURPHY		2009/08/10				
						DOCUMENT NUMBER	DOC TYPE	DOC PART	REVISION
						SD-130027-003	PSD	001	B

DOCUMENT STATUS	P1	RELEASE DATE	2022/05/04	21:13:40
-----------------	----	--------------	------------	----------