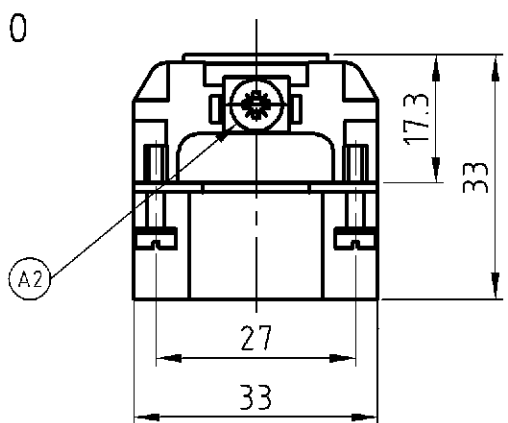
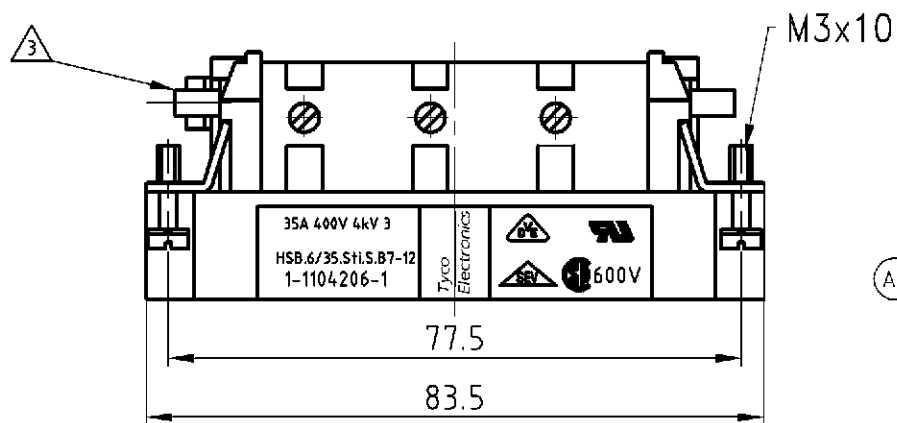


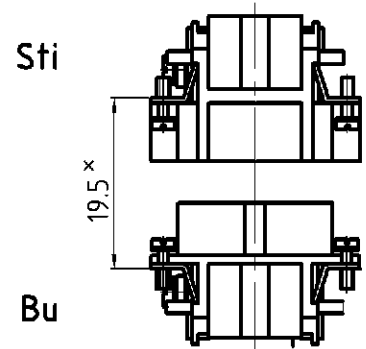
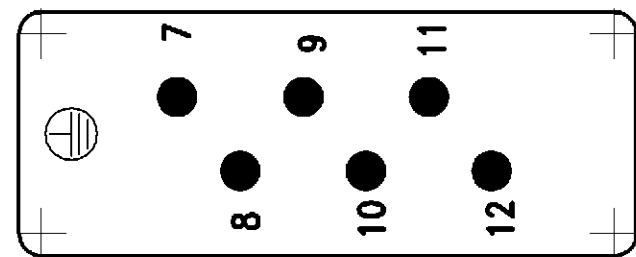
LOC	DIST	REVISIONS ÄNDERUNGEN		
A1	-	P	LTR	DATE
PROJEKT NR.:		A3		05APR18
		ECR-17-014051		SG MKO



- NOTES
- 1 FINISH: CONTACT , AG
 - 2 POWER CONTACT: 7 TO 12
OUTER DIMENSIONS OF INSULATION: MAX. Ø 7.0 MM
 - 3 GROUNDING CONTACT
 - 4 SUITABLE HOOD SIZE 6: SERIES HB; HD; EMV; HIP
 - 5 STANDARDS:
DIN EN 61984; DIN EN 60664-1
 - 6 PACKAGING: 5 PIECES IN A CARTON
 - 7 SUPERSEDED BY T2060122101-000

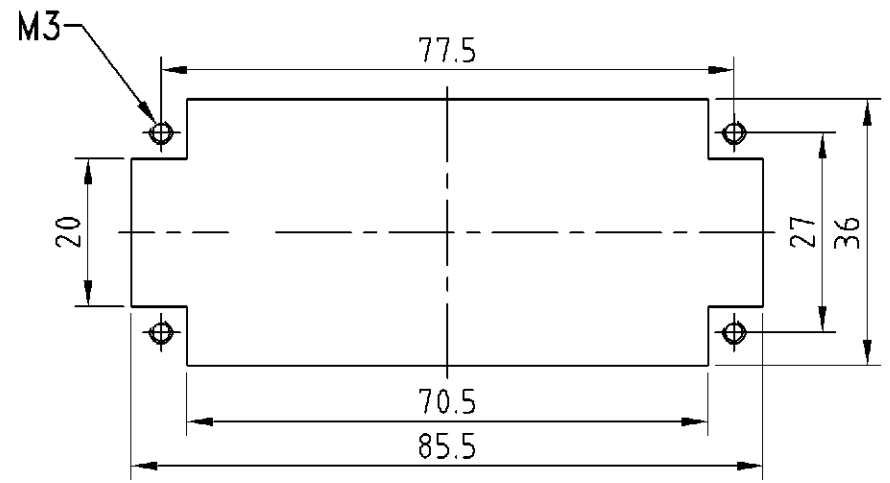
Contact arrangement view from termination side

Assembling instruction



X Distance for guaranteed contact max: 21 mm

Panel cut-out for contact insert when used without housing



1	DESCRIPTION	MATERIAL	COLOR	ITEM NO. POS.	REMARKS
1	male insert		beige	1	-
1-1					
HSB.6/35.Sti.S 7-12 ORDERING TEXT / BESTELLTEXT	<small>THIS DRAWING IS A CONTROLLED DOCUMENT FOR AMP INCORPORATED. IT IS SUBJECT TO CHANGE AND THE CONTROLLING ENGINEERING ORGANIZATION SHOULD BE CONTACTED FOR THE LATEST REVISION. DIESES ZEICHNUNGS-DOKUMENT WIRD DURCH AMP INCORPORATED KONTROLLIERT. ÄNDERUNGEN, DIE DEM TECHNISCHEN FORTSCHRITT DIENEN, SIND VORBEHALTEN. DEN JEWELNS LETZT GÜLTIGEN ÄNDERUNGSSTAND ERFAHREN SIE AUF ANFRAGE.</small>		DWN Rösgen	04.06.1998	
	<small>DIMENSIONS: DIMENSIONEN: mm</small>		CHK		
	<small>TOLERANCES UNLESS OTHERWISE SPECIFIED: ALLGEMEINTOLERANZEN</small> p. ISO 8015 p. ISO 2768 - mH - E p. DIN 16901 - 14.0 0 PLC # 1 PLC # 2 PLC # 3 PLC # <small>ANGLES /WINKEL #</small> <small>FINISH /OBERFLÄCHE/FARBE</small>		APVD -	NAME MALE INSERT	
			PRODUCT SPEC PRODUKTSPEZ. 108-74006	DRAWING NO ZEICHNUNGS-NR. C-1104206	
MATERIAL			WEIGHT GEWICHT 86 g	SIZE A3	CAGE CODE 00779
			CUSTOMER DRAWING		RESTRICTED TO NUR FUER
					MASSSTAB 1:1
					BLATT 1 OF VON 1
					REV A3