

4

3

2

1

THIS DRAWING IS UNPUBLISHED.

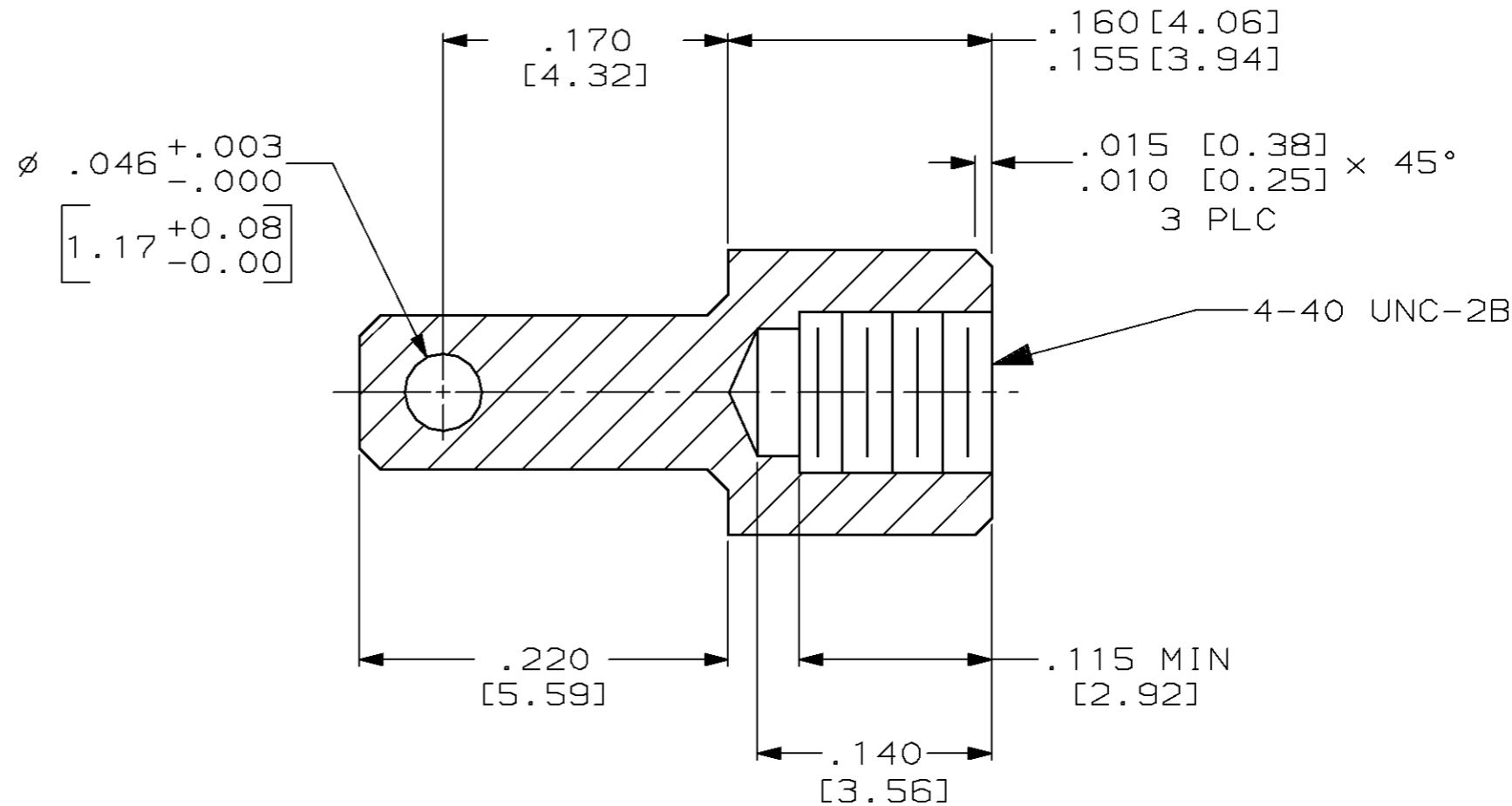
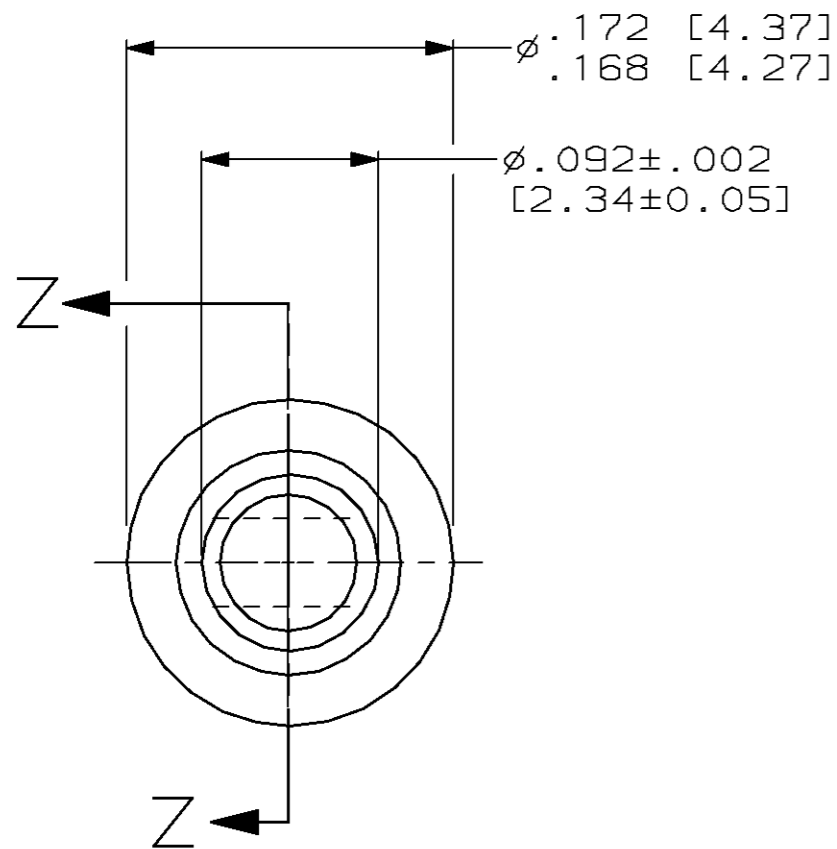
RELEASED FOR PUBLICATION

,19 .

© COPYRIGHT 19

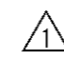
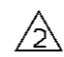
BY AMP INCORPORATED. ALL RIGHTS RESERVED.

LOC	DIST	REVISIONS			
P	LTR	DESCRIPTION	DATE	DWN	APVD
DF	F0	A	REV PER 0600-5687-96	6-96	CT DG



 STAINLESS STEEL PER ASTM-A-582
 PASSIVATED PER QQ-P-35

443376-1
PART NUMBER

<small>THIS DRAWING IS A CONTROLLED DOCUMENT FOR AMP INCORPORATED. IT IS SUBJECT TO CHANGE AND THE CONTROLLING ENGINEERING ORGANIZATION SHOULD BE CONTACTED FOR THE LATEST REVISION.</small>		DWN T. ALEXANDER 12-11-95 CHK D. GUTTER 12-12-95 APVD D. GUTTER 12-12-95 PRODUCT SPEC APPLICATION SPEC WEIGHT -	AMP AMP Incorporated Harrisburg, PA 17105-3608 NAME MINI-BOX, JACKSCREW, FEMALE, TURNABLE
DIMENSIONS: INCHES [mm]	TOLERANCES UNLESS OTHERWISE SPECIFIED: 0 PLC ±- 1 PLC ±- 2 PLC ±- 3 PLC ±.005 [0.13] 4 PLC ±- ANGLES ±- FINISH	SIZE A3 CAGE CODE 00779 DRAWING NO C=443376	SCALE 10:1 SHEET 1 OF 1 REV A
MATERIAL	 	CUSTOMER DRAWING	