

170140-2 ✓ ACTIVE

FASTON | FASTON 187

TE Internal #: 170140-2

Quick Disconnects, Receptacle, 20 – 16 AWG Wire Size, .5 – 1.5 mm<sup>2</sup> Wire Size, Mating Tab Width 4.75 mm [.187 in], Flag, Brass, Tin Plating, FASTON 187

[View on TE.com >](#)



Terminals & Splices > Quick Disconnects



Quick Disconnect Terminal Type: **Receptacle**

Wire Size: .5 – 1.5 mm<sup>2</sup>

Mating Tab Width: 4.75 mm [.187 in]

Mating Tab Thickness: .5 mm [.019 in]

## Features

### Product Type Features

Insertion Force	Normal
-----------------	--------

### Configuration Features

Connection Capacity	Single
Compatible With Wire & Cable Type	Discrete Wire

### Contact Features

Quick Disconnect Terminal Type	Receptacle
Mating Tab Width	4.75 mm [.187 in]
Mating Tab Thickness	.5 mm [.019 in]
Terminal Orientation	Flag
Contact Base Material	Brass
Terminal Plating Material	Tin
Crimp Type	F-Crimp
Barrel Type	Open

### Termination Features

--	--



Product Terminates To	Wire & Cable
-----------------------	--------------

### Mechanical Attachment

Extraction Force	9.8 – 147.1 Newton
Wire Insulation Support	With
Mating Retention Type	Dimple

### Dimensions

Terminal Material Thickness	.3 mm [.012 in]
Product Length	13.5 mm [.531 in]
Compatible Insulation Diameter Range	2.79 – 4.32 mm [.11 – .17 in]
Wire Size	.5 – 1.5 mm <sup>2</sup>

### Usage Conditions

Insulation Option	Uninsulated
Operating Temperature Range	-40 – 110 °C [-40 – 230 °F]

### Industry Standards

Agency/Standard	UL
-----------------	----

### Packaging Features

Packaging Quantity	7000
Packaging Method	Strip/Reel

### Product Compliance

[For compliance documentation, visit the product page on TE.com>](#)

EU RoHS Directive 2011/65/EU	Compliant
EU ELV Directive 2000/53/EC	Compliant
China RoHS 2 Directive MIIT Order No 32, 2016	No Restricted Materials Above Threshold
EU REACH Regulation (EC) No. 1907/2006	Current ECHA Candidate List: JUNE 2023 (235) Candidate List Declared Against: JUNE 2023 (235) Does not contain REACH SVHC
Halogen Content	Low Halogen - Br, Cl, F, I < 900 ppm per homogenous material. Also BFR/CFR/PVC Free
Solder Process Capability	Not applicable for solder process capability

Product Compliance Disclaimer



This information is provided based on reasonable inquiry of our suppliers and represents our current actual knowledge based on the information they provided. This information is subject to change. The part numbers that TE has identified as EU RoHS compliant have a maximum concentration of 0.1% by weight in homogenous materials for lead, hexavalent chromium, mercury, PBB, PBDE, DBP, BBP, DEHP, DIBP, and 0.01% for cadmium, or qualify for an exemption to these limits as defined in the Annexes of Directive 2011/65/EU (RoHS2). Finished electrical and electronic equipment products will be CE marked as required by Directive 2011/65/EU. Components may not be CE marked. Additionally, the part numbers that TE has identified as EU ELV compliant have a maximum concentration of 0.1% by weight in homogenous materials for lead, hexavalent chromium, and mercury, and 0.01% for cadmium, or qualify for an exemption to these limits as defined in the Annexes of Directive 2000/53/EC (ELV). Regarding the REACH Regulation, the information TE provides on SVHC in articles for this part number is based on the latest European Chemicals Agency (ECHA) 'Guidance on requirements for substances in articles' posted at this URL: <https://echa.europa.eu/guidance-documents/guidance-on-reach>

## Compatible Parts



TE Part # 154897-2  
.375 FLAG FASTON RECPT.



TE Part # 1-687392-9  
HB 9EAPR140T140O G




TE Part # 1855654-1  
HDM/FA HBEMPO140T140O LM CUT




TE Part # 565501-1  
STD HBEMPR140T140OK


## Also in the Series | FASTON 187




Crimp Terminal Housings(42)




Insertion & Extraction Tools(1)



Joints & Splices(1)



PCB Terminals(42)

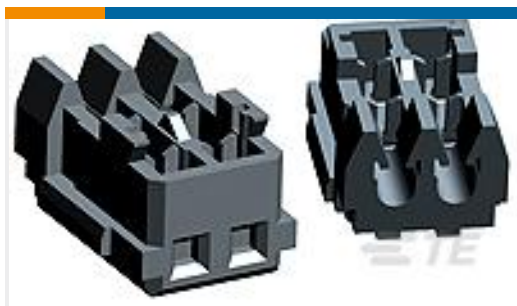


Quick Disconnects(209)

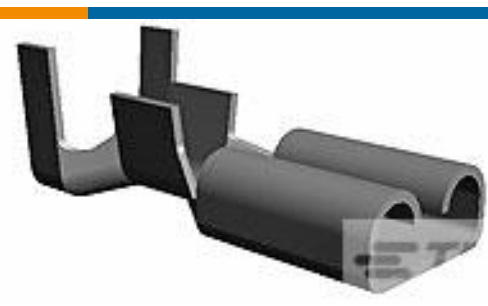


Splices(1)

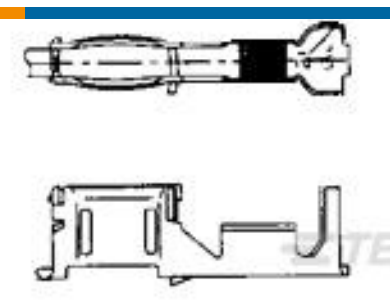
## Customers Also Bought



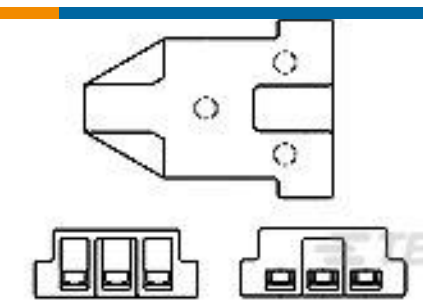
TE Part #2-353293-0  
MINI CT MT REC ASSY 20P GRAY



TE Part #170466-1  
187 FASTON, REC., 18-14 AWG, TPBR



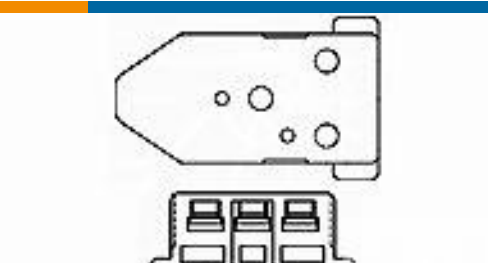
TE Part #316292-1  
3.2 CLUSTER REC L-TYPE



TE Part #171370-3  
CLUSTER BLOCK HSG PBT



TE Part #41802  
250 FASTON FLAG REC 18-12 AWG  
TPBR



TE Part #316293-1  
3.2 CLUSTER BLOCK HSG NATURAL



TE Part #913705-1  
HOLDER HOOK



TE Part #60873-1  
250 FASTON FLAG REC 16-12 AWG  
TPBZ



TE Part #1717289-1  
2.3DIA CLUSTER BLOCK REVERSE H

## Documents

### Product Drawings

[187 FASTON, FLAG, REC., 16-20 AWG, TPBR](#)

Japanese

### CAD Files

[3D PDF](#)

3D

Customer View Model

[ENG\\_CVM\\_CVM\\_170140-2\\_AB\\_c-170140-2-ab.2d\\_dxf.zip](#)

English

Customer View Model

[ENG\\_CVM\\_CVM\\_170140-2\\_AB\\_c-170140-2-ab.3d\\_igs.zip](#)

English

Customer View Model

[ENG\\_CVM\\_CVM\\_170140-2\\_AB\\_c-170140-2-ab.3d\\_stp.zip](#)

English

By downloading the CAD file I accept and agree to the [Terms and Conditions](#) of use.

### Product Specifications



### Application Specification

English

---

### Product Environmental Compliance

Product Compliance Document

English

Product Compliance Document

English