

PART NAME: KNOB

SCALE: 1:1

DATE: 8/15/96

DR. BY HD



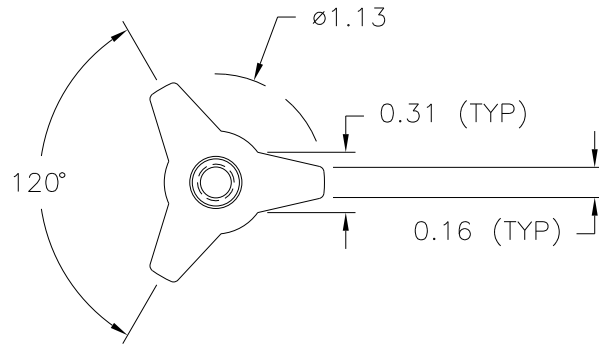
DESIGNERS & MANUFACTURERS OF KNOBS, HANDLES, CASES & CUSTOM PLASTIC COMPONENTS

P/N 3025GH

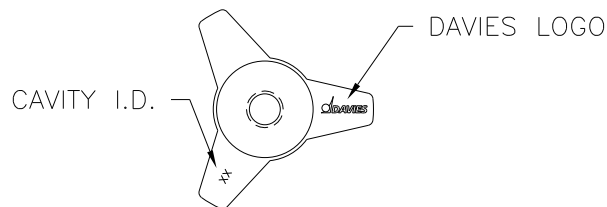
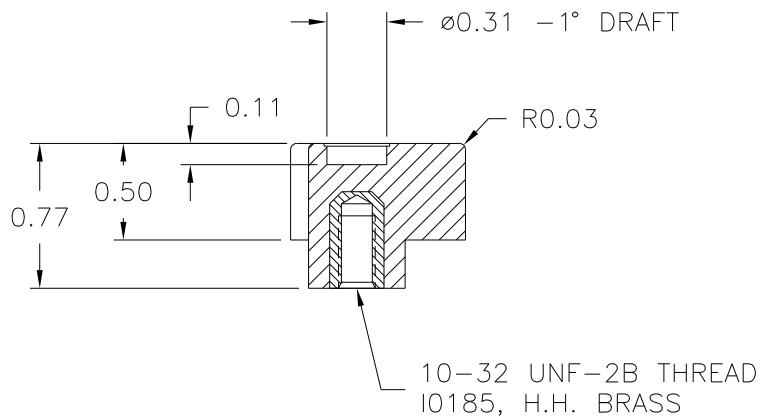
BASE PART 3025-02

THIS DRAWING IS THE PROPERTY OF DAVIES MOLDING COMPANY, IS SUBMITTED SOLELY AS A DESIGN OR ENGINEERING PROJECT. WE ACCEPT NO RESPONSIBILITY WHATSOEVER FOR THE PRACTICAL APPLICATION OF THE PIECES MADE TO THIS DESIGN.

©



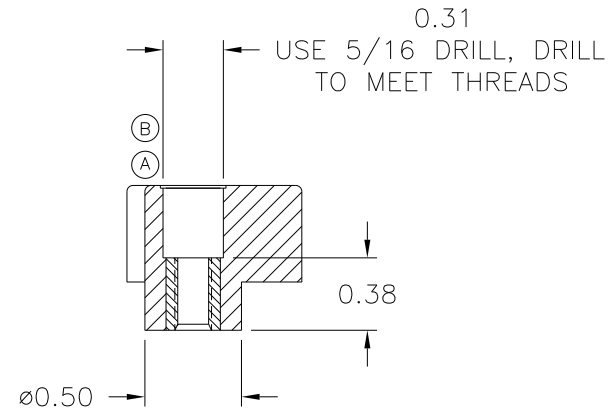
AFTER MOLDING



MATERIAL: G.P. PHENOLIC (B11)
COLOR: BLACK

FIN

AFTER FINISHING



TOLERANCES: UNLESS OTHERWISE SPECIFIED	DO NOT SCALE DRAWING	C	ADDED BASE PART	JAM	4/26/13
		B	CORRECTED TOP HOLE DETAIL AGAIN	JAM	12/12/03
DECIMALS: X.XXX ± .005 X.XX ± .015	MM: X.XX ± 0.15MM X.X ± 0.4MM	A	CORRECTED TOP HOLE DETAIL	JAM	4/23/03
		-	REDRAWN	TL	11/16/99
FRACTIONS ± 1/64	ANG. ± 1°	CHANGES			